

用心服务 · 品质卓越



IH型化工泵 IH CHEMICAL PUMPS

产品说明书 Product specification

IH型单级单吸化工离心泵产品简介

Brief Introduction of IH Single Stage Single Suction Chemical Centrifugal Pumps

▶ IH型单级单吸化工离心泵 IH Single Stage Single Suction Chemical Centrifugal Pumps

▶ 型号意义 Designation



IH 80 - 50 - 315 A(B、C)

叶轮切割
Impeller cutting

叶轮名义直径
(mm) Impeller nominal diameter

排出口直径
(mm) Discharge diameter

吸入口直径
(mm) Suction diameter

国际标准化工泵系列产品
Series product of international standard chemical pump

▶ 特点 Features

- IH系列化工泵系单级单吸化工离心泵，是取代F型耐腐蚀离心泵的节能型更新换代产品。该产品执行标准：GB5662-85、ISO2858、GB/T5656-94；
- Series IH chemical pump is single stage single suction chemical centrifugal pump, it is an energy-saving updated product to replace Ftype erosion proof centrifugal pump. This product complies with standards of GB5662-85、ISO2858 and GB/T5656-94.
- IH系列化工泵系卧式径向剖分，后开门结构，检修时不需拆卸管路；
- Series IH chemical pump is radial split and back pull out structure, so there is no need of dismantling the pipeline when check and repair.
- 泵体轴向吸入，径向排出，脚支承式。泵与原动机连结用加长联轴器；
- Pump casing is axial suction, radial discharge and supported by foot. Pump is connected with the driver by spacer coupling.
- 泵轴承用洁净的22号机械油润滑，泵运转前须向悬架内加润滑油至油标中心线以上2mm左右；
- Bearing are lubricated by clean 22 mechanical oil, bearing housing must be filled with lubricant to about 2mm over the central line of oil level gauge before pump operation.
- 大直径叶轮用填料密封、机械密封、付叶轮密封（动力密封）。
- Shaft seal adopts packing seal, mechanical seal, vice-impeller seal (dynamic seal).

▶ 用途 Applications

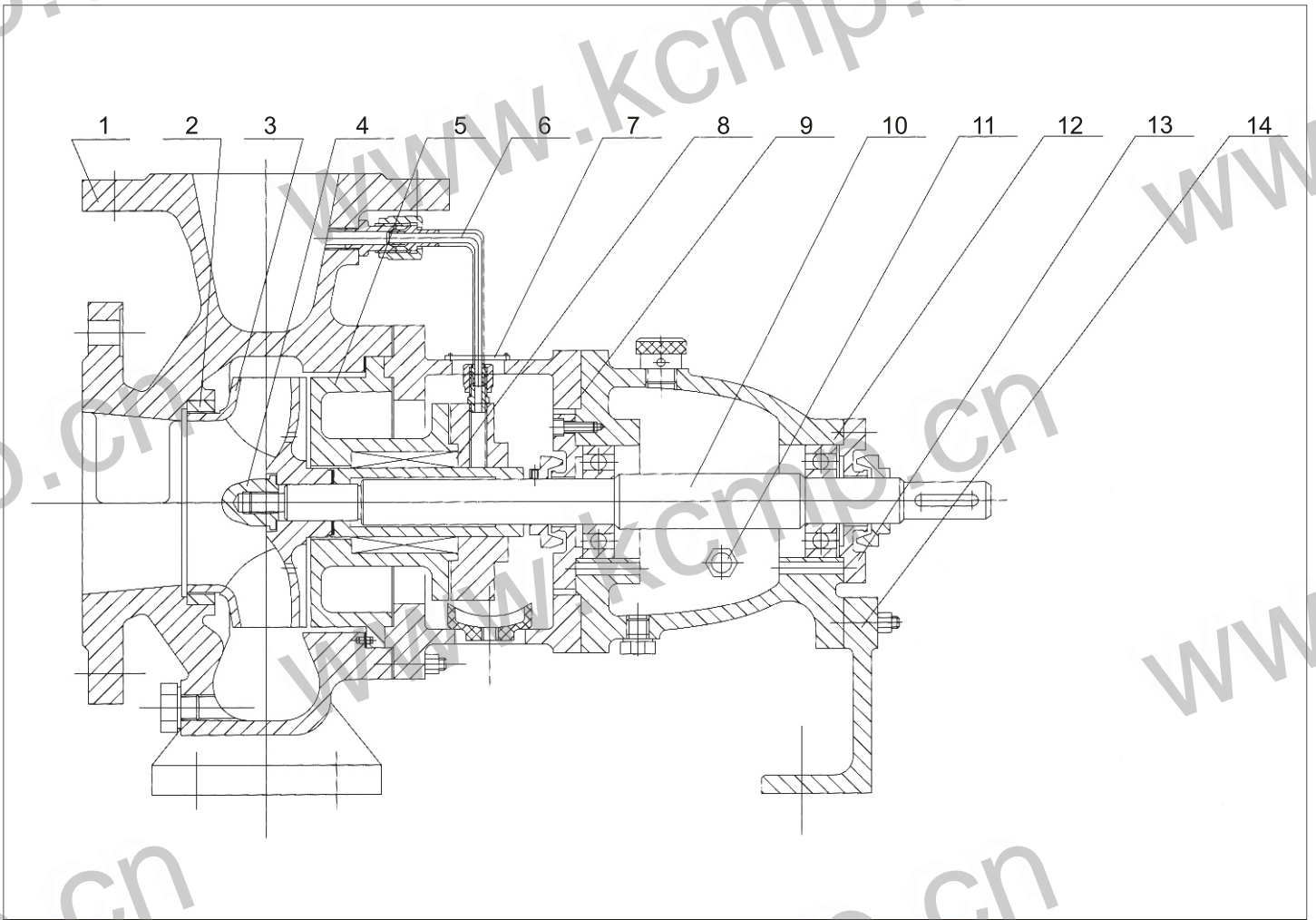
- 主要用于石油、化工、合成纤维、化肥、电站、冶金、食品及医药等工业部门输送不含悬浮颗粒的腐蚀性或不允许污染的介质。
- It is mainly used in oil, chemical industry, synthetic fiber, fertilizer, power plant, metallurgy, food and pharmaceuticals, etc. industrial departments to transport corrosive medium without suspended grain or medium which must not be polluted.

▶ 工作条件 Operating Conditions

- 介质温度(Medium temp): $-20^{\circ}\text{C} < T < +105^{\circ}\text{C}$ ； • 采用特殊措施可达 180°C ； It can reach 180°C if special measures are taken;
- 流量(Capacity): $Q=3.4\sim 460\text{ (m}^3\text{/h)}$ ； • 扬程(Head) $H=3.7\sim 128\text{ (m)}$ ；
- 转速(Speed) $n=1450\sim 2900\text{ r/min}$ ；
- 泵的旋转方向：由电动机方向往泵看为顺时针方向旋转。Rotation direction: clockwise rotation viewed from motor end.
- 性能表中轴功率的介质比重为 1g/cm^3 ，粘度为 $1\text{mm}^2\text{/s}$ 计算而得。
In performance chart, power of shaft is calculated by specific gravity of medium as 1g/cm^3 , and viscosity as $1\text{mm}^2\text{/s}$.
- 电机配用原则：若比重 ≤ 1.0 ，按1.0配电机；若 $1 < \text{比重} \leq 1.35$ ，按1.35配电机；若 $1.35 < \text{比重} \leq 1.85$ ，按1.85配电机。
Motor matching principle: if specific gravity ≤ 1.0 , match motor according to 1.0; if $1 < \text{specific gravity} \leq 1.35$, match motor according to 1.35; if $1.35 < \text{specific gravity} \leq 1.85$, match motor according to 1.85.

IH型泵结构图 Structural Drawing of IH Pumps

▶ 结构图 Structural Drawing



▶ 主要零部件表 Main Parts Table

| | | | | | | | |
|------------|-----------------------|---------------------|----------------|-----------------------|-------------------|-----------------------|-----------------------|
| 序号 No. | 1 | 2 | 3 | 4 | 5 | 6 | 7 |
| 名称 Name | 泵体 Pump housing | 密封环 Wearing | 叶轮 Impeller | 叶轮螺母 Impellernut | 泵盖 Casing Pump | 冲洗管 Flushing Pipe | 标牌 Trade mark |
| 序号 No. | 8 | 9 | 10 | 11 | 12 | 13 | 14 |
| 名称 Name | 机封 Mechanical Seal | 中间架 Middle Frame | 轴 Shaft | 油标 Oil level gange | 轴承 Bearing | 轴承压盖 Bearing Cover | 支架 Lonstantoil cup |

▶ 过流部件材料 Overflow Part Material

见第 116 页 (国内外主要材料牌号对照及化学成份表)

See Page 116 (Comparison of domestic & foreign main material codes and their chemistry composition sheet)

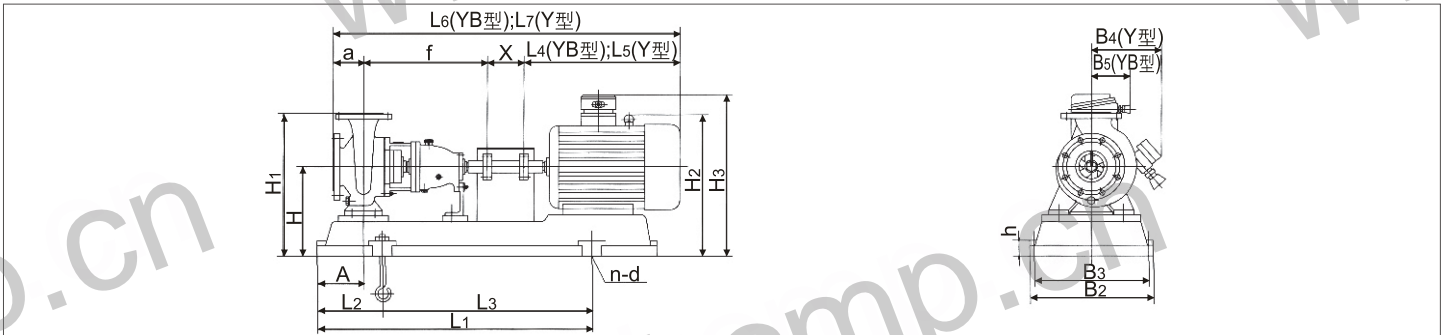
IH型泵性能参数表、安装尺寸图及安装尺寸表

Performance Parameters Table, Installation Dimensions Drawing and Installation Dimensions Table of IH Pumps

性能参数表 Performance Parameters

| Type 泵型号 | r/min speed 转速 | 流量Q Capacity | | Head (m) 扬程 | Efficiency η% 效率 | 轴功率 Shaft Power | kw 配套功率 Matched power 介质密度 (g/cm³) | | | (NPSH)r (m) 必需汽蚀余量 Nevsory(NPSH)r | Pump Weight (kg) 泵重量 |
|--------------|----------------------|---------------------|----------------------|----------------------|------------------------|----------------------|--|------|------|--|----------------------------|
| | | m³/h | L/S | | | | 1.0 | 1.35 | 1.85 | | |
| IH50-32-125 | 2900 | 7.5 12.5 15 | 2.08 3.47 4.17 | 23 20 18 | 43 51 49 | 1.09 1.33 1.50 | 2.2 | 3 | 4 | 2.0 2.0 2.5 | 45 |
| | 1450 | 3.75 6.3 7.5 | 1.04 1.74 2.08 | 5.75 5.0 4.5 | 36 45 44 | 0.16 0.19 0.21 | 0.55 | 0.55 | 0.55 | 2.0 2.0 2.5 | 45 |
| IH50-32-125A | 2900 | 6.8 11.3 13.6 | 1.89 3.14 3.78 | 18.8 16.4 14.7 | 40 50 47 | 0.87 1.01 1.16 | 1.5 | 2.2 | 3 | 2.0 2.0 2.5 | 45 |
| | 1450 | 3.4 5.7 6.8 | 0.94 1.58 1.89 | 4.7 4.1 3.7 | 34 43 42 | 0.13 0.15 0.16 | 0.55 | 0.55 | 0.55 | 2.0 2.0 2.5 | 45 |
| IH50-32-160 | 2900 | 7.5 12.5 15.0 | 2.08 3.47 4.17 | 34.5 32 30 | 33 46 50 | 2.13 2.37 2.45 | 3 | 4 | 5.5 | 2.0 2.0 2.5 | 49 |
| | 1450 | 3.75 6.3 7.5 | 1.04 1.74 2.08 | 8.6 8.0 7.5 | 29 40 43 | 0.30 0.34 0.36 | 0.55 | 0.75 | 1.1 | 2.0 2.0 2.5 | 49 |
| IH50-32-160A | 2900 | 6.8 11.3 13.6 | 1.89 3.14 3.78 | 28.5 26.4 24.8 | 32 44 47 | 1.65 1.85 1.95 | 3 | 4 | 5.5 | 2.0 2.0 2.5 | 49 |
| | 1450 | 3.4 5.7 6.8 | 0.94 1.58 1.89 | 7.1 6.6 6.2 | 28 39 42 | 0.23 0.26 0.27 | 0.55 | 0.55 | 0.75 | 2.0 2.0 2.5 | 49 |
| IH50-32-160B | 2900 | 6.3 10.5 12.6 | 1.75 2.92 3.5 | 24 22 21 | 30 42 45 | 1.37 1.50 1.60 | 2.2 | 3.0 | 4.0 | 2.0 2.0 2.5 | 49 |
| | 1450 | 3.15 5.25 6.3 | 0.88 1.46 1.75 | 6.0 5.5 5.0 | 27 38 41 | 0.19 0.21 0.21 | 0.55 | 0.55 | 0.55 | 2.0 2.0 2.5 | 49 |

安装尺寸图 Installation Dimensions Drawing



安装尺寸表 Installation Dimensions

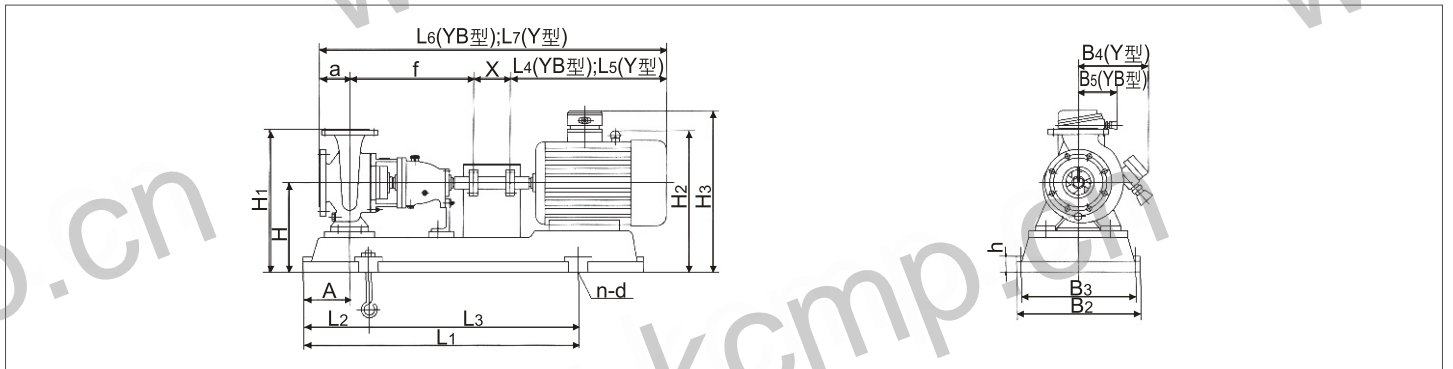
| Type 泵型号 | 配套电机 Matched motor | | 安装尺寸 Installation Dimensions | | | | | | | | | | | | | | | | | | | | | |
|-------------|-----------------------|----------------|------------------------------|-----|-----|-----|-----|-----|----|-----|-----|-----|-----|-----|-----|-----|-----|-----|-----|-----|-----|-----|----------|----------|
| | 机座号 Motor Seat No. | 功率 Power KW | A | L1 | L2 | L3 | L4 | L5 | a | f | x | L6 | L7 | B2 | B3 | B4 | B5 | H2 | H3 | h | H | H1 | n-d | |
| IH50-32-125 | Y 801-4 | 0.55 | 80 | 820 | 150 | 540 | 330 | 285 | 80 | 385 | 100 | 895 | 850 | 360 | 320 | 150 | 225 | 287 | 457 | 25 | 197 | 337 | 4-φ 18.5 | |
| | YB 802-2 | 1.1 | | | | | | | | | | | | | | | | | | | | | | |
| | Y 90S-2 | 1.5 | | | | | | | | | | | | | | | | | | | | | | |
| | YB 90L-2 | 2.2 | | | | | | | | | | | | | | | | | | | | | | |
| | Y 100L-2 | 3 | | | | | | | | | | | | | | | | | | | | | | |
| | YB 100L-2 | 3 | | | | | | | | | | | | | | | | | | | | | | |
| IH50-32-160 | Y 801-4 | 0.55 | 80 | 820 | 150 | 540 | 330 | 285 | 80 | 385 | 100 | 895 | 850 | 360 | 320 | 150 | 155 | 225 | 307 | 477 | 25 | 217 | 337 | 4-φ 18.5 |
| | YB 802-4 | 0.75 | | | | | | | | | | | | | | | | | | | | | | |
| | Y 90S-4 | 1.1 | | | | | | | | | | | | | | | | | | | | | | |
| | YB 90L-2 | 2.2 | | | | | | | | | | | | | | | | | | | | | | |
| | Y 100L-2 | 3 | | | | | | | | | | | | | | | | | | | | | | |
| | YB 100L-2 | 3 | | | | | | | | | | | | | | | | | | | | | | |
| | Y 112M-2 | 4 | | | | | | | | | | | | | | | | | | | | | | |
| | YB 132S1-2 | 5.5 | | | | | | | | | | | | | | | | | | | | | | |

IH型泵性能参数表、安装尺寸图及安装尺寸表 Performance Parameters Table, Installation Dimensions Drawing and Installation Dimensions Table of IH Pumps

性能参数表 Performance Parameters

| Type 泵型号 | r/min speed 转速 | 流量Q Capacity | | Head (m) 扬程 | Efficiency η% 效率 | kw 轴功率 Shaft Power | | | (NPSH)r (m) 必需汽蚀余量 Necessary(NPSH)r | Pump Weight (kg) 泵重量 | |
|--------------|----------------------|---------------------|----------------------|----------------------|------------------------|--------------------------|-----------------------|-----------------|--|----------------------------|----|
| | | m³/h | L/S | | | 轴功率 Shaft Power | 配用功率 Matched power | 介质密度 (g/cm³) | | | |
| IH50-32-200 | 2900 | 7.5 12.5 15.0 | 2.08 3.47 4.17 | 51.8 50 48 | 28 39 43 | 3.78 4.36 4.56 | 5.5 | 7.5 | 11 | 2.0 2.0 2.5 | 59 |
| | 1450 | 3.75 6.3 7.5 | 1.04 1.74 2.08 | 12.9 12.5 12.0 | 23 33 36 | 0.57 0.65 0.68 | 1.1 | 1.1 | 1.5 | 2.0 2.0 2.5 | 59 |
| IH50-32-200A | 2900 | 6.8 11.3 13.6 | 1.89 3.14 3.78 | 42.5 41 39.5 | 27 38 42 | 2.91 3.32 3.48 | 4 | 5.5 | 7.5 | 2.0 2.0 2.5 | 59 |
| | 1450 | 3.4 5.7 6.8 | 0.94 1.58 1.89 | 10.6 10.3 9.9 | 22 32 35 | 0.44 0.50 0.52 | 0.75 | 1.1 | 1.5 | 2.0 2.0 2.5 | 59 |
| IH50-32-200B | 2900 | 6.3 10.5 12.6 | 1.75 2.92 3.5 | 37 35.5 34 | 26 37 41 | 2.44 2.75 2.85 | 4 | 5.5 | 7.5 | 2.0 2.0 2.5 | 59 |
| | 1450 | 3.15 5.25 6.3 | 0.88 1.46 1.75 | 9.5 9.0 8.5 | 21 31 34 | 0.39 0.42 0.43 | 0.55 | 0.75 | 1.1 | 2.0 2.0 2.5 | 59 |

安装尺寸图 Installation Dimensions Drawing



安装尺寸表 Installation Dimensions

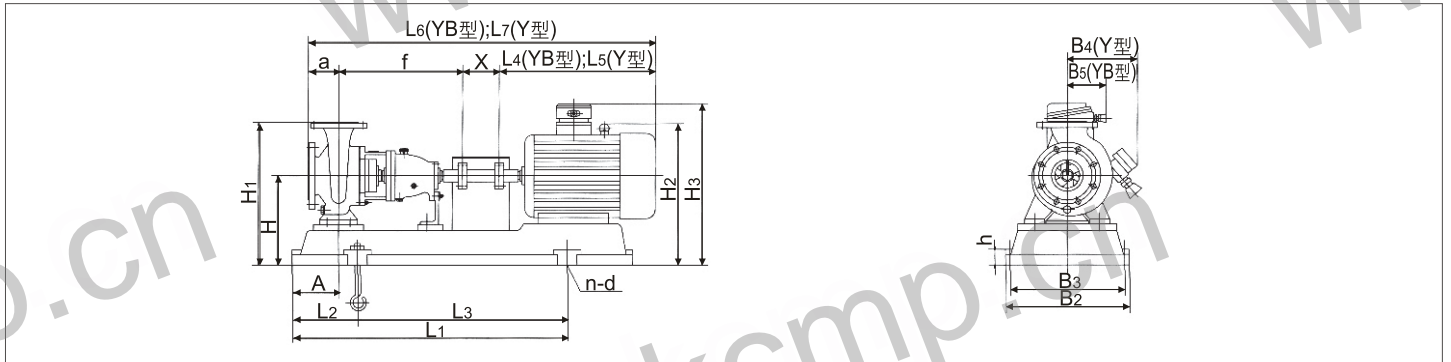
| Type 泵型号 | 配套电机 Matched motor | | 安装尺寸 Installation Dimensions | | | | | | | | | | | | | | | | | | | | | |
|-------------|-----------------------|----------------|------------------------------|----|------|-----|-----|-----|-----|----|-----|------|------|------|-----|-----|-----|-----|-----|-----|-----|-----|-----|----------|
| | 机座号 Motor Seat No. | 功率 Power KW | A | L1 | L2 | L3 | L4 | L5 | a | f | x | L6 | L7 | B2 | B3 | B4 | B5 | H2 | H3 | h | H | H1 | n-d | |
| IH50-32-200 | Y YB | 801-4 | 0.55 | | | | | | | | | | | | | | | | | | | | | |
| | Y YB | 802-4 | 0.75 | 80 | 820 | 150 | 540 | 330 | 285 | | | 895 | 850 | 360 | 320 | 150 | | 335 | 505 | 25 | | | | |
| | Y YB | 90S-4 | 1.1 | 80 | | | 360 | 310 | | | | 925 | 875 | | | | 225 | | | | | | | 4-φ 18.5 |
| | Y YB | 90L-4 | 1.5 | 80 | 920 | 170 | 600 | 385 | 335 | 80 | 385 | 100 | 950 | 900 | 390 | 350 | 155 | | 345 | 510 | | | 245 | 425 |
| | Y YB | 112M-2 | 4.0 | | | | 460 | 400 | | | | 1025 | 965 | | | 190 | | | 398 | 533 | 30 | | | |
| | Y YB | 132S1-2 | 5.5 | | | | | | | | | | | | | | | | | | | | | |
| | Y YB | 132S2-2 | 7.5 | 95 | 1020 | 190 | 660 | 510 | 475 | | | | 1075 | 1040 | 450 | 400 | 210 | 240 | | 428 | 583 | | | 4-φ 24 |
| | Y YB | 160M1-2 | 11 | 80 | 1140 | 210 | 740 | 655 | 600 | | | | 1220 | 1165 | 490 | 440 | 255 | | | 485 | 630 | 260 | 440 | |

IH型泵性能参数表、安装尺寸图及安装尺寸表 Performance Parameters Table, Installation Dimensions Drawing and Installation Dimensions Table of IH Pumps

▶ **性能参数表** Performance Parameters

| Type 泵型号 | r/min speed 转速 | 流量Q Capacity | | Head (m) 扬程 | Efficiency η% 效率 | 轴功率 Shaft Power | kw 配用功率 Matched power | | | (NPSH)r (m) 必需汽蚀余量 Necessary(NPSH)r | Pump Weight (kg) 泵重量 |
|--------------|----------------------|---------------------|----------------------|----------------------|---------------------|----------------------|--------------------------|------|------|---|-------------------------|
| | | m³/h | L/S | | | | 介质密度 (g/cm³) | | | | |
| | | | | | | | 1.0 | 1.35 | 1.85 | | |
| IH50-32-250 | 2900 | 7.5 12.5 15.0 | 2.08 3.47 4.17 | 82 80 78.5 | 23 33 36.5 | 7.28 8.25 8.79 | 11 | 15 | 18.5 | 2.0 2.0 2.5 | 93 |
| | 1450 | 3.75 6.3 7.5 | 1.04 1.74 2.08 | 20.5 20 19.6 | 17 27 31 | 1.23 1.27 1.29 | 2.2 | 2.2 | 3.0 | 2.0 2.0 2.5 | 93 |
| IH50-32-250A | 2900 | 7.0 11.7 14.0 | 1.94 3.25 3.89 | 72 70 68.5 | 22 32 35.5 | 6.24 7.0 7.36 | 11 | 15 | 18.5 | 2.0 2.0 2.5 | 93 |
| | 1450 | 3.5 5.9 7.0 | 0.97 1.64 1.94 | 18 17.5 17 | 16 26 30 | 1.07 1.08 1.09 | 1.5 | 2.2 | 3.0 | 2.0 2.0 2.5 | 93 |
| IH50-32-250B | 2900 | 6.6 11 13 | 1.83 3.06 3.61 | 63.5 62 61 | 20 30 34 | 5.71 6.19 6.35 | 7.5 | 11 | 15 | 2.0 2.0 2.5 | 93 |
| | 1450 | 3.3 5.5 6.5 | 0.92 1.53 1.81 | 15.9 15.5 15.2 | 15 25 29 | 0.95 0.93 0.93 | 1.5 | 2.2 | 2.2 | 2.0 2.0 2.5 | 93 |

▶ **安装尺寸图** Installation Dimensions Drawing



▶ **安装尺寸表** Installation Dimensions

| Type 泵型号 | 配套电机 Matched motor | | 安装尺寸 Installation Dimensions | | | | | | | | | | | | | | | | | | | | | |
|-------------|-----------------------|----------------|------------------------------|------|-----|-----|-----|-----|-----|-----|-----|------|------|-----|-----|-----|-----|-----|-----|-----|-----|-----|-------|-----|
| | 机座号 Motor Seat No. | 功率 Power KW | A | L1 | L2 | L3 | L4 | L5 | a | f | x | L6 | L7 | B2 | B3 | B4 | B5 | H2 | H3 | h | H | H1 | n-d | |
| IH50-32-250 | Y YB 90S-4 | 1.1 | | | | | 360 | 310 | | | | 1060 | 1010 | | | 155 | | 405 | 570 | | 305 | 530 | 4-φ24 | |
| | Y YB 90L-4 | 1.5 | | | | | 385 | 335 | | | | 1085 | 1035 | | | | | | | | | | | |
| | Y YB 100L1-4 | 2.2 | | 190 | 660 | | | | | | | | | 450 | 400 | | 225 | | | | | | | |
| | Y YB 100L2-4 | 3 | | | | | 430 | 380 | | | | 1130 | 1080 | | | 180 | | 410 | 545 | 30 | 265 | 490 | | |
| | Y YB 132S2-2 | 7.5 | 95 | 1140 | 210 | 740 | 510 | 475 | 100 | 500 | 100 | 1210 | 1175 | 490 | 440 | 210 | | 503 | 658 | | 320 | 545 | | |
| | Y YB 160M1-2 | 11 | | | | | 655 | 600 | | | | 1355 | 1300 | | | | | | | | | | | |
| | Y YB 160M2-2 | 15 | | 1270 | | | | | | | | | | | 540 | 490 | 255 | 240 | 525 | 670 | 40 | 300 | | 525 |
| | Y YB 160L-2 | 18.5 | | | 225 | 840 | | | | | | 1395 | 1345 | | | | | | | | | | | |
| | Y YB 180M-2 | 22 | | 1290 | | | | 730 | 670 | | | 1430 | 1370 | | | | 285 | | 590 | 725 | 30 | 340 | | 565 |

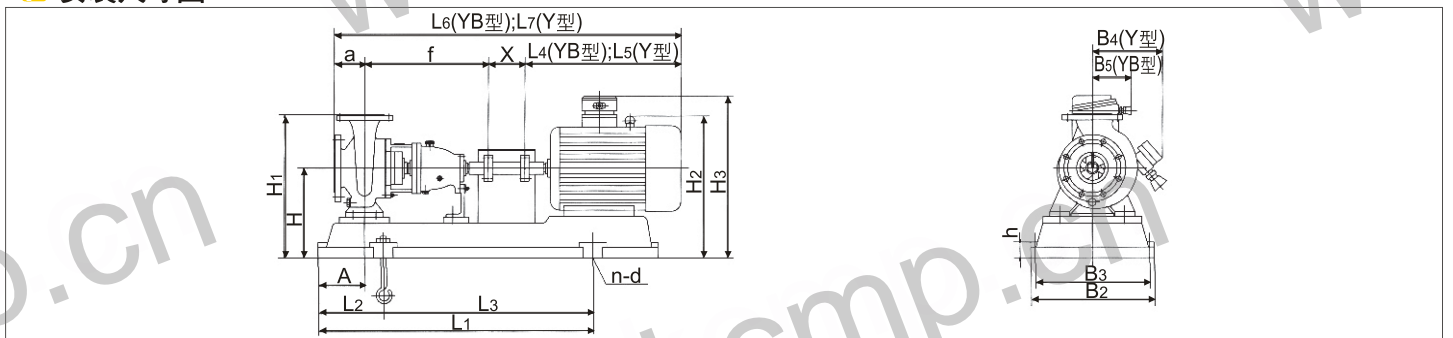
IH型泵性能参数表、安装尺寸图及安装尺寸表

Performance Parameters Table, Installation Dimensions Drawing and Installation Dimensions Table of IH Pumps

▶ **性能参数表** Performance Parameters

| Type 泵型号 | n/min speed 转速 | 流量Q Capacity | | Head (m) 扬程 | Efficiency η% 效率 | kw 轴功率 Shaft Power | | | (NPSH)r (m) 必需汽蚀余量 Necessary(NPSH)r | Pump Weight (kg) 泵重量 | |
|--------------|----------------------|--------------|------|----------------|------------------------|------------------------------------|------|------|--|----------------------------|----|
| | | m³/h | L/S | | | 配用功率 Matched power 介质密度 (g/cm³) | | | | | |
| | | | | | | 1.0 | 1.35 | 1.85 | | | |
| IH65-50-125 | 2900 | 15 | 4.17 | 21.3 | 47 | 1.85 | 3.0 | 4.0 | 5.5 | 2.0 | 47 |
| | | 25 | 6.94 | 20 | 62 | 2.2 | | | | 2.0 | |
| | | 30 | 8.33 | 18.6 | 63 | 2.4 | | | | 2.5 | |
| | 1450 | 7.5 | 2.08 | 5.4 | 44 | 0.25 | 0.55 | 0.55 | 0.75 | 2.0 | 47 |
| | | 12.5 | 3.47 | 5.0 | 55 | 0.31 | | | | 2.0 | |
| | | 15.0 | 4.17 | 4.5 | 56 | 0.33 | | | | 2.5 | |
| IH65-50-125A | 2900 | 13.6 | 3.78 | 17.6 | 45 | 1.45 | 2.2 | 3 | 4 | 2.0 | 47 |
| | | 22.7 | 6.31 | 16.5 | 60 | 1.70 | | | | 2.0 | |
| | | 27.3 | 7.58 | 15.4 | 61 | 1.88 | | | | 2.5 | |
| | 1450 | 6.8 | 1.89 | 4.4 | 42 | 0.19 | 0.55 | 0.55 | 0.55 | 2.0 | 47 |
| | | 11.3 | 3.14 | 4.1 | 53 | 0.24 | | | | 2.0 | |
| | | 13.6 | 3.78 | 3.8 | 54 | 0.26 | | | | 2.5 | |
| IH65-50-125B | 2900 | 12 | 3.33 | 14 | 44 | 1.04 | 1.5 | 2.2 | 3.0 | 2.0 | 47 |
| | | 20 | 5.56 | 13 | 59 | 1.2 | | | | 2.0 | |
| | | 24 | 6.67 | 12 | 60 | 1.31 | | | | 2.5 | |
| | 1450 | 6.0 | 1.67 | 3.5 | 41.5 | 0.14 | 0.55 | 0.55 | 0.55 | 2.0 | 47 |
| | | 10 | 2.78 | 3.2 | 48.5 | 0.18 | | | | 2.0 | |
| | | 12 | 3.33 | 3.0 | 48 | 0.20 | | | | 2.5 | |
| IH65-50-160 | 2900 | 15 | 4.17 | 34.2 | 44 | 3.18 | 5.5 | 7.5 | 11 | 2.0 | 53 |
| | | 25 | 6.94 | 32 | 57 | 3.82 | | | | 2.0 | |
| | | 30 | 8.33 | 30 | 59 | 4.15 | | | | 2.5 | |
| | 1450 | 7.5 | 2.08 | 8.55 | 39 | 0.45 | 0.75 | 1.1 | 1.5 | 2.0 | 53 |
| | | 12.5 | 3.47 | 9.0 | 51 | 0.53 | | | | 2.0 | |
| | | 15.0 | 4.17 | 7.5 | 52.5 | 0.58 | | | | 2.5 | |
| IH65-50-160A | 2900 | 13.6 | 3.78 | 28.4 | 43 | 2.45 | 4 | 5.5 | 7.5 | 2.0 | 53 |
| | | 22.7 | 6.31 | 26.5 | 56 | 2.93 | | | | 2.0 | |
| | | 27.3 | 7.58 | 24.8 | 58 | 3.18 | | | | 2.5 | |
| | 1450 | 6.8 | 1.89 | 7.1 | 37 | 0.36 | 0.55 | 0.75 | 1.1 | 2.0 | 53 |
| | | 11.3 | 3.14 | 6.6 | 49 | 0.41 | | | | 2.0 | |
| | | 13.6 | 3.78 | 6.2 | 51 | 0.45 | | | | 2.5 | |
| IH65-50-160B | 2900 | 12.6 | 3.5 | 24 | 42 | 1.96 | 3 | 4 | 5.5 | 2.0 | 53 |
| | | 21.0 | 5.83 | 22.5 | 55 | 2.34 | | | | 2.0 | |
| | | 25.2 | 7.0 | 21 | 57 | 2.53 | | | | 2.5 | |
| | 1450 | 6.3 | 1.75 | 6.0 | 36 | 0.29 | 0.55 | 0.75 | 1.1 | 2.0 | 53 |
| | | 10.5 | 2.92 | 5.6 | 48 | 0.33 | | | | 2.0 | |
| | | 12.6 | 3.5 | 5.2 | 50 | 0.36 | | | | 2.5 | |

▶ **安装尺寸图** Installation Dimensions Drawing



▶ **安装尺寸表** Installation Dimensions

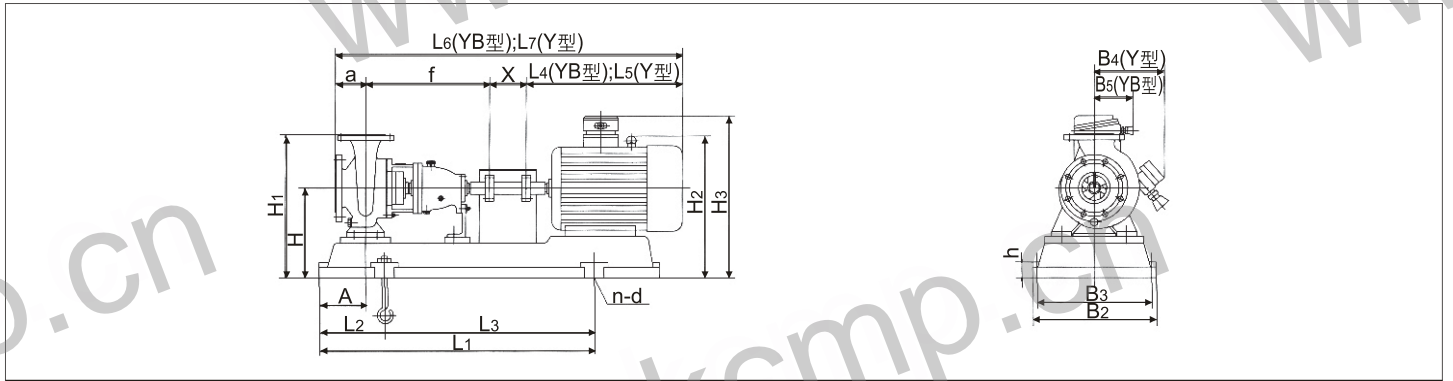
| Type 泵型号 | 配套电机 Matched motor | | 安装尺寸 Installation Dimensions | | | | | | | | | | | | | | | | | | | | | | | | | | | | | | | | | | | | | | | | |
|-------------|-----------------------|----------------|------------------------------|-----|-----|-----|-----|----|-----|-----|-----|-----|-----|-----|-----|-----|-----|----|-----|-----|---------|------|-----|-----|-----|-----|--|--|--|------|------|-----|-----|-----|-----|-----|-----|--|--|-----|-----|--|-------|
| | 机座号 Motor Seat No. | 功率 Power KW | A | L1 | L2 | L3 | L4 | L5 | a | f | x | L6 | L7 | B2 | B3 | B4 | B5 | H2 | H3 | h | H | H1 | n-d | | | | | | | | | | | | | | | | | | | | |
| IH65-50-125 | YB 801-4 | 0.55 | 80 | 150 | 540 | 330 | 285 | 80 | 385 | 100 | 895 | 850 | 360 | 320 | 150 | 287 | 457 | 25 | 197 | 337 | 4-φ18.5 | | | | | | | | | | | | | | | | | | | | | | |
| | YB 802-2 | 0.75 | | | | | | | | | | | | | | | | | | | | | | | | | | | | | | | | | | | | | | | | | |
| | YB 90L-2 | 2.2 | | | | | | | | | | | | | | | | | | | | | | | 385 | 335 | | | | 950 | 900 | | | 155 | 225 | 297 | 462 | | | | | | |
| | YB 100L-2 | 3 | | | | | | | | | | | | | | | | | | | | 920 | 170 | 600 | 430 | 380 | | | | 995 | 945 | 390 | 350 | 180 | | 342 | 477 | | | 30 | | | |
| | YB 112M-2 | 4 | | | | | | | | | | | | | | | | | | | | | | | 460 | 400 | | | | 1025 | 965 | | | 190 | | 390 | 525 | | | | | | |
| | YB 132S1-2 | 5.5 | | | | | | | | | | | | | | | | | | | | 1020 | 190 | 660 | 510 | 475 | | | | 1075 | 1040 | 450 | 400 | 210 | 240 | 420 | 575 | | | 237 | 377 | | 4-φ24 |
| IH60-50-160 | YB 801-4 | 0.55 | 80 | 150 | 540 | 330 | 285 | 80 | 385 | 100 | 895 | 850 | 360 | 320 | 150 | 307 | 477 | 25 | 217 | 377 | 4-φ18.5 | | | | | | | | | | | | | | | | | | | | | | |
| | YB 802-4 | 0.75 | | | | | | | | | | | | | | | | | | | | | | | | | | | | | | | | | | | | | | | | | |
| | YB 90S-4 | 1.1 | | | | | | | | | | | | | | | | | | | | | | | 360 | 310 | | | | 925 | 875 | | | 155 | 225 | 317 | 482 | | | | | | |
| | YB 90L-4 | 1.5 | | | | | | | | | | | | | | | | | | | | 920 | 170 | 600 | 385 | 335 | | | | 950 | 900 | | | | | | | | | | | | |
| | YB 100L-2 | 3.0 | | | | | | | | | | | | | | | | | | | | | | | 430 | 380 | | | | 995 | 945 | 390 | 350 | 180 | | 362 | 497 | | | 30 | | | |
| | YB 112M-4 | 4.0 | | | | | | | | | | | | | | | | | | | | | | | 460 | 400 | | | | 1025 | 965 | | | 190 | | 370 | 505 | | | | | | |
| | YB 132S1-4 | 5.5 | | | | | | | | | | | | | | | | | | | | 1020 | 190 | 660 | 510 | 475 | | | | 1075 | 1040 | 450 | 400 | 210 | | 440 | 595 | | | | | | |
| | YB 132S2-2 | 7.5 | | | | | | | | | | | | | | | | | | | | | | | | | | | | | | | | | 240 | | | | | 257 | 417 | | 4-φ24 |
| | YB 160M1-2 | 11 | | | | | | | | | | | | | | | | | | | | 1140 | 210 | 740 | 655 | 600 | | | | 1220 | 1165 | 490 | 440 | 255 | | 482 | 627 | | | | | | |

IH型泵性能参数表、安装尺寸图及安装尺寸表 Performance Parameters Table, Installation Dimensions Drawing and Installation Dimensions Table of IH Pumps

▶ **性能参数表** Performance Parameters

| Type 泵型号 | r/min speed 转速 | 流量Q Capacity | | Head (m) 扬程 | Efficiency η% 效率 | kw 轴功率 Shaft Power | | | (NPSH) _r (m) 必需汽蚀余量 Necessary(NPSH) _r | Pump Weight (kg) 泵重量 | |
|--------------|----------------------|-------------------|------|----------------|------------------------|--------------------------|-----------------------|------------------------------|--|----------------------------|----|
| | | m ³ /h | L/S | | | 轴功率 Shaft Power | 配用功率 Matched power | 介质密度 (g/cm ³) | | | |
| IH65-40-200 | 2900 | 15 | 4.17 | 53.2 | 41 | 5.30 | 11 | 11 | 15 | 2.0 | 63 |
| | | 25 | 6.94 | 50 | 52 | 6.55 | | | | 2.0 | |
| | | 30 | 8.33 | 47.6 | 53.5 | 7.27 | | | | 2.5 | |
| IH65-40-200A | 1450 | 7.5 | 2.08 | 13.3 | 35 | 0.78 | 1.5 | 2.2 | 2.2 | 2.0 | 63 |
| | | 12.5 | 3.47 | 12.5 | 46 | 0.93 | | | | 2.0 | |
| | | 15.0 | 4.17 | 11.9 | 47.5 | 1.02 | | | | 2.5 | |
| IH65-40-200A | 2900 | 14 | 3.89 | 46.5 | 39 | 4.55 | 7.5 | 11 | 15 | 2.0 | 63 |
| | | 23.4 | 6.5 | 44 | 50 | 5.6 | | | | 2.0 | |
| | | 28 | 7.78 | 42 | 52 | 6.16 | | | | 2.5 | |
| IH65-40-200B | 1450 | 7.0 | 1.94 | 11.6 | 34 | 0.65 | 1.1 | 1.5 | 2.2 | 2.0 | 63 |
| | | 11.7 | 3.25 | 11 | 45 | 0.78 | | | | 2.0 | |
| | | 14.0 | 3.89 | 10.5 | 46 | 0.87 | | | | 2.5 | |
| IH65-40-200B | 2900 | 12.6 | 3.5 | 38 | 38 | 3.43 | 5.5 | 7.5 | 11 | 2.0 | 63 |
| | | 21.0 | 5.83 | 36 | 49 | 4.2 | | | | 2.0 | |
| | | 25.2 | 7.0 | 34 | 51 | 4.58 | | | | 2.5 | |
| IH65-40-200B | 1450 | 6.3 | 1.75 | 9.5 | 33 | 0.49 | 0.75 | 1.1 | 1.5 | 2.0 | 63 |
| | | 10.5 | 2.92 | 9.0 | 44 | 0.58 | | | | 2.0 | |
| | | 12.6 | 3.5 | 8.5 | 45 | 0.65 | | | | 2.5 | |

▶ **安装尺寸图** Installation Dimensions Drawing



▶ **安装尺寸表** Installation Dimensions

| Type 泵型号 | 配套电机 Matched motor | | 安装尺寸 Installation Dimensions | | | | | | | | | | | | | | | | | | | | | | | |
|-------------|-----------------------|----------------|------------------------------|------|-----|-----|-----|-----|-----|-----|-----|------|------|-----|-----|-----|-----|-----|-----|-----|----|-----|-----|-----|-----|--|
| | 机座号 Motor Seat No. | 功率 Power KW | A | L1 | L2 | L3 | L4 | L5 | a | f | x | L6 | L7 | B2 | B3 | B4 | B5 | H2 | H3 | h | H | H1 | n-d | | | |
| IH65-40-200 | YB 802-4 | 0.75 | | | | | 330 | 285 | | | | 915 | 870 | | | 150 | | 335 | 505 | | | | | | | |
| | YB 90S-4 | 1.1 | 80 | 920 | 170 | 600 | 360 | 310 | | | | 945 | 895 | 390 | 350 | 155 | 225 | 345 | 510 | | | | | | | |
| | YB 90L-4 | 1.5 | | | | | 385 | 335 | | | 970 | 920 | | | | | | | | 180 | | | | | | |
| | YB 100L1-4 | 2.2 | | | | | 430 | 380 | | | | 1015 | 965 | | | | | | | | | 245 | 425 | | | |
| | YB 132S1-2 | 5.5 | 95 | 1020 | 190 | 660 | 510 | 475 | 100 | 385 | 100 | 1095 | 1060 | 450 | 400 | 210 | | | 428 | 583 | 30 | | | | | |
| | YB 132S2-2 | 7.5 | | | | | | | | | | | | | | | | | | | | | | | | |
| | YB 160M1-2 | 11 | 80 | 1140 | 210 | 740 | 655 | 600 | | | | 1240 | 1185 | 490 | 440 | 255 | | | 485 | 630 | | | | 260 | 440 | |
| | YB 160M2-2 | 15 | | | | | | | | | | | | | | | | | | | | | | | | |

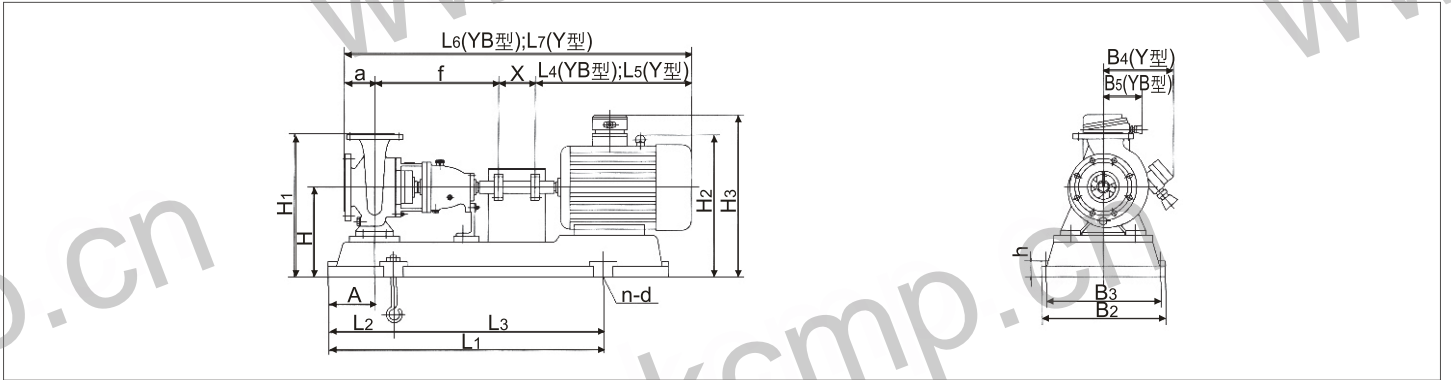
IH型泵性能参数表、安装尺寸图及安装尺寸表

Performance Parameters Table, Installation Dimensions Drawing and Installation Dimensions Table of IH Pumps

▶ **性能参数表** Performance Parameters

| Type 泵型号 | r/min Speed 转速 | 流量Q Capacity | | Head (m) 扬程 | Efficiency $\eta\%$ 效率 | 轴功率 Shaft Power | kw 配用功率 Matched power | | | (NPSH)r (m) 必需汽蚀余量 Necessary(NPSH)r | Pump Weight (kg) 泵重量 |
|--------------|----------------------|-------------------|------|----------------|---------------------------|--------------------|---------------------------|------|----|--|-------------------------|
| | | m ³ /h | L/S | | | | 介质密度 (g/cm ³) | | | | |
| IH65-40-250 | 2900 | 15 | 4.17 | 81.2 | 34 | 9.76 | 15 | 22 | 30 | 2.0 | 99 |
| | | 25 | 6.94 | 80 | 46 | 11.84 | | | | 2.0 | |
| | | 30 | 8.33 | 78.4 | 50 | 12.8 | | | | 2.5 | |
| IH65-40-250A | 2900 | 7.5 | 2.08 | 20.3 | 28 | 1.48 | 2.2 | 3 | 4 | 2.0 | 99 |
| | | 12.5 | 3.47 | 20 | 39 | 1.75 | | | | 2.0 | |
| | | 15.0 | 4.17 | 19.6 | 43 | 1.86 | | | | 2.5 | |
| IH65-40-250A | 1450 | 14 | 3.89 | 71 | 32 | 8.5 | 15 | 18.5 | 30 | 2.0 | 99 |
| | | 23.4 | 6.5 | 70 | 44 | 10.14 | | | | 2.0 | |
| | | 28 | 7.78 | 68.5 | 47.5 | 11 | | | | 2.5 | |
| IH65-40-250B | 2900 | 7.0 | 1.94 | 17.8 | 27 | 1.26 | 2.2 | 3 | 4 | 2.0 | 99 |
| | | 11.7 | 3.25 | 17.5 | 38 | 1.47 | | | | 2.0 | |
| | | 14 | 3.89 | 17.2 | 42 | 1.56 | | | | 2.5 | |
| IH65-40-250B | 1450 | 13.2 | 3.67 | 62.8 | 31 | 7.28 | 11 | 15 | 22 | 2.0 | 99 |
| | | 22 | 6.11 | 61.8 | 43 | 8.61 | | | | 2.0 | |
| | | 26.4 | 7.33 | 60 | 47 | 9.18 | | | | 2.5 | |
| IH65-40-250B | 1450 | 6.6 | 1.83 | 15.7 | 26 | 1.09 | 1.5 | 2.2 | 3 | 2.0 | 99 |
| | | 11 | 3.06 | 15.5 | 37 | 1.25 | | | | 2.0 | |
| | | 13.2 | 3.67 | 14.5 | 41 | 1.27 | | | | 2.5 | |

▶ **安装尺寸图** Installation Dimensions Drawing



▶ **安装尺寸表** Installation Dimensions

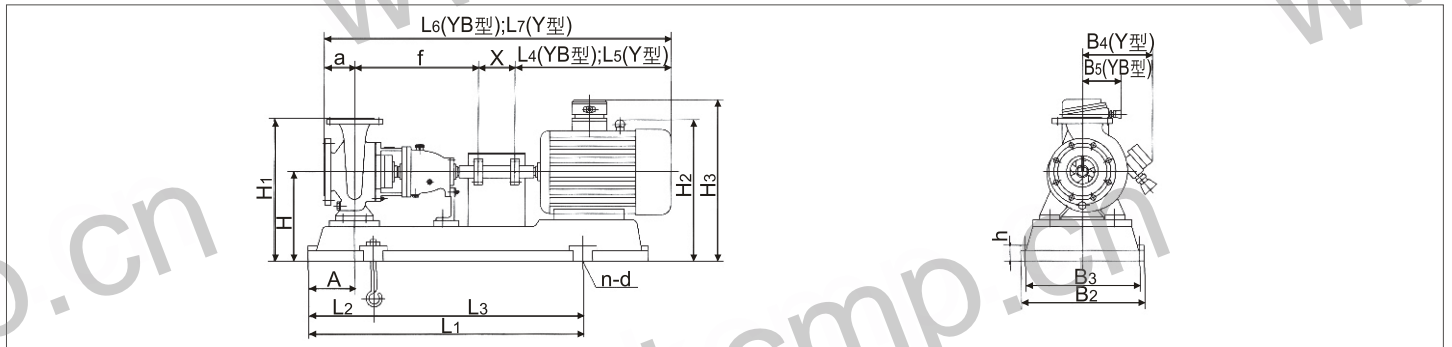
| Type 泵型号 | 配套电机 Matched motor | | 安装尺寸 Installation Dimensions | | | | | | | | | | | | | | | | | | | | | |
|-------------|-----------------------|----------------|------------------------------|-----|-----|----|-----|-----|---|---|---|------|------|-----|-----|-----|-----|-----|-----|-----|-----|-----|-----|--|
| | 机座号 Motor Seat No. | 功率 Power KW | A | L1 | L2 | L3 | L4 | L5 | a | f | x | L6 | L7 | B2 | B3 | B4 | B5 | H2 | H3 | h | H | H1 | n-d | |
| IH65-40-250 | YB 90S-4 | 1.1 | 1020 | | | | 360 | 310 | | | | 1060 | 1010 | | | | 155 | 405 | 570 | 305 | 530 | | | |
| | YB 90L-4 | 1.5 | | | | | 385 | 335 | | | | 1085 | 1035 | | | | | | | | | | | |
| | YB 100L1-4 | 2.2 | 1070 | 190 | 660 | | 430 | 380 | | | | 1130 | 1080 | 450 | 400 | 180 | 225 | 410 | 545 | 30 | 265 | 490 | | |
| | YB 100L2-4 | 3 | | | | | 460 | 400 | | | | 1160 | 1100 | | | | | | | | | | | |
| | YB 112M-4 | 4 | 1270 | | | | 460 | 400 | | | | 1160 | 1100 | | | 190 | | 418 | 553 | | | | | |
| | YB 160M1-2 | 11 | | | | | 655 | 600 | | | | 1355 | 1300 | | | | | | | | | | | |
| | YB 160M2-2 | 15 | 1290 | 225 | 840 | | 655 | 600 | | | | 1395 | 1345 | 540 | 490 | 255 | 240 | 525 | 670 | 40 | 300 | 525 | | |
| | YB 160L-2 | 18.5 | | | | | 695 | 645 | | | | 1430 | 1370 | | | | | | | | | | | |
| | YB 180M-2 | 22 | 1420 | 250 | 940 | | 730 | 670 | | | | 1430 | 1370 | | | 285 | | 590 | 725 | 30 | 340 | 565 | | |
| | YB 200L1-2 | 30 | | | | | 805 | 775 | | | | 1505 | 1475 | | | | | | | | | | | |

IH型泵性能参数表、安装尺寸图及安装尺寸表 Performance Parameters Table, Installation Dimensions Drawing and Installation Dimensions Table of IH Pumps

▶ **性能参数表** Performance Parameters

| Type 泵型号 | r/min speed 转速 | 流量Q Capacity | | Head (m) 扬程 | Efficiency η% 效率 | kw 轴功率 Shaft Power | | | (NPSH) _r (m) 必需汽蚀余量 Necessary(NPSH) _r | Pump Weight (kg) 泵重量 | |
|--------------|----------------------|----------------------|----------------------|-------------------------|------------------------|---------------------------|------|-----|--|----------------------------|-----|
| | | m ³ /h | L/S | | | 匹配功率 Matched power | | | | | |
| | | | | | | 介质密度 (g/cm ³) | | | | | |
| IH65-40-315 | 2900 | 15 25 30 | 4.17 6.94 8.33 | 126.8 125 124 | 28 39 42.5 | 18.5 21.8 23.8 | 30 | 37 | 55 | 2.0 2.0 2.5 | 116 |
| | 1450 | 7.5 12.5 15.0 | 2.08 3.47 4.17 | 32.4 32.0 31.7 | 22 33 37 | 3.0 3.3 3.5 | 5.5 | 5.5 | 7.5 | 2.0 2.0 2.5 | 116 |
| IH65-40-315A | 2900 | 14 23.4 28 | 3.89 6.5 7.78 | 111.5 109.5 108.5 | 27 38 41 | 15.74 18.36 20.2 | 30 | 37 | 45 | 2.0 2.0 2.5 | 116 |
| | 1450 | 7.0 11.7 14.0 | 1.94 3.25 3.89 | 27.9 27.4 27.1 | 21 32 36 | 2.53 2.73 2.87 | 4 | 5.5 | 7.5 | 2.0 2.0 2.5 | 116 |
| IH65-40-315B | 2900 | 13.2 22 26.4 | 3.67 6.11 7.33 | 98 96.5 95.9 | 26 37 40 | 13.55 15.63 17.24 | 22 | 30 | 37 | 2.0 2.0 2.5 | 116 |
| | 1450 | 6.6 11 13.2 | 1.83 3.06 3.67 | 24.5 24.1 24 | 20 31 35 | 2.2 2.33 2.46 | 3 | 4 | 5.5 | 2.0 2.0 2.5 | 116 |
| IH65-40-315C | 2900 | 12.3 20.5 24.6 | 3.42 5.69 6.83 | 85.3 84.1 83 | 25 36 39 | 11.43 13.04 14.26 | 18.5 | 22 | 30 | 2.0 2.0 2.5 | 116 |
| | 1450 | 6.2 10.3 12.3 | 1.72 2.86 3.42 | 21.3 21 20.8 | 19 30 34 | 1.89 1.96 2.05 | 3.0 | 4.0 | 5.5 | 2.0 2.0 2.5 | 116 |

▶ **安装尺寸图** Installation Dimensions Drawing



▶ **安装尺寸表** Installation Dimensions

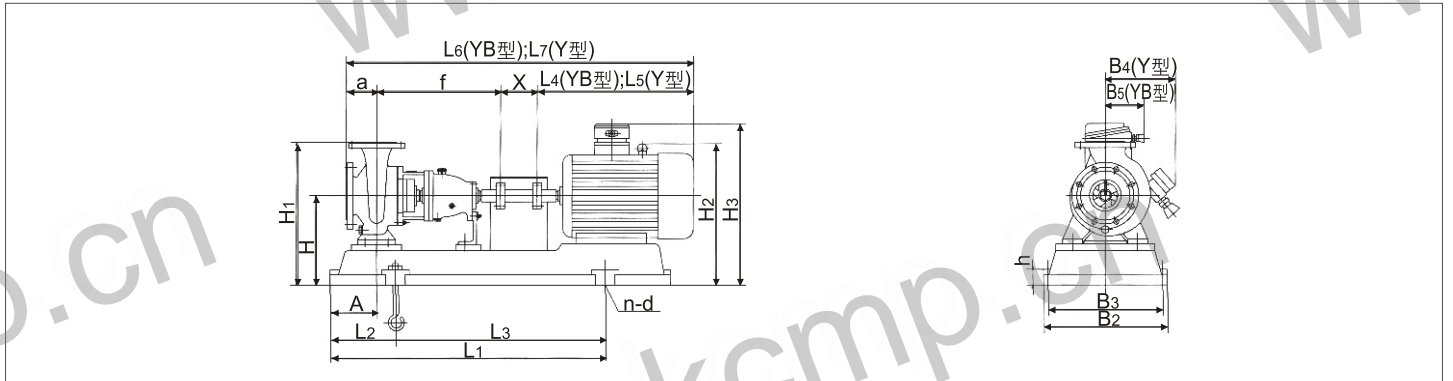
| Type 泵型号 | 配套电机 Matched motor | | 安装尺寸 Installation Dimensions | | | | | | | | | | | | | | | | | | | | | | |
|-------------|-----------------------|----------------|------------------------------|------|------|-----|-----|-----|-----|-----|-----|------|------|----|-----|-----|-----|-----|-----|----|----|-----|-----|-------|-------|
| | 机座号 Motor Seat No. | 功率 Power KW | A | L1 | L2 | L3 | L4 | L5 | a | f | x | L6 | L7 | B2 | B3 | B4 | B5 | H2 | H3 | h | H | H1 | n-d | | |
| IH65-40-315 | Y YB | 100L-4 | 3 | | | | 430 | 380 | | | | 1155 | 1105 | | | 180 | 255 | 445 | 580 | | | 300 | 550 | 4-φ24 | |
| | Y YB | 112M-4 | 4 | | | | 460 | 400 | | | | 1185 | 1125 | | | 190 | | 453 | 588 | | | | | | |
| | Y YB | 132S-4 | 5.5 | 1140 | 210 | 740 | 510 | 475 | | | | 1235 | 1200 | | | 490 | 440 | | | 30 | | | | | |
| | Y YB | 132M-4 | 7.5 | | | | 550 | 515 | | | | 1275 | 1240 | | | 210 | | 523 | 678 | | | 340 | 590 | | |
| | Y YB | 160M1-2 | 11 | | | | 655 | 600 | | | | 1380 | 1325 | | | | 240 | | | | | | | | |
| | Y YB | 160M2-2 | 15 | | | | 655 | 600 | 125 | 500 | 100 | 1380 | 1325 | | | | 240 | | | | | | | | |
| | Y YB | 160L-2 | 18.5 | 1290 | 225 | 840 | 695 | 645 | | | | 1420 | 1370 | | | 540 | 490 | 255 | | | | 320 | 570 | | |
| | Y YB | 180M-2 | 22 | | | | 730 | 670 | | | | 1455 | 1395 | | | | 285 | | | | 40 | 360 | 610 | | |
| | Y YB | 200L1-2 | 30 | | | | 805 | 775 | | | | 1530 | 1500 | | | | 310 | | | | | | | | |
| | Y YB | 200L2-2 | 37 | 110 | 1420 | 250 | 940 | 805 | 775 | | | 1530 | 1500 | | 610 | 550 | 290 | | | | | 380 | 630 | | 4-φ28 |
| | Y YB | 225M-2 | 45 | | | | 840 | 815 | | | | 1565 | 1540 | | | | 345 | | | | | | | | |

IH型泵性能参数表、安装尺寸图及安装尺寸表 Performance Parameters Table, Installation Dimensions Drawing and Installation Dimensions Table of IH Pumps

性能参数表 Performance Parameters

| Type 泵型号 | r/min speed 转速 | 流量Q Capacity | | Head (m) 扬程 | Efficiency η% 效率 | 轴功率 Shaft Power | kw 匹配功率 Matched power | | | (NPSH)r (m) 必需汽蚀余量 Necessary(NPSH)r | Pump Weight (kg) 泵重量 |
|--------------|----------------------|----------------------|------------------------|----------------------|------------------------|----------------------|---------------------------|------|------|--|----------------------------|
| | | m ³ /h | L/S | | | | 介质密度 (g/cm ³) | | | | |
| | | | | | | | 1.0 | 1.35 | 1.85 | | |
| IH80-65-125 | 2900 | 30 50 60 | 8.33 13.9 16.7 | 23.2 20 17.6 | 60 69 67 | 3.16 3.95 4.30 | 5.5 | 7.5 | 11 | 3.0 3.0 4.0 | 52 |
| | 1450 | 15 25 30 | 4.17 6.94 8.33 | 5.8 5.0 4.4 | 54 64 62 | 0.44 0.53 0.58 | 0.75 | 1.1 | 1.5 | 2.5 2.5 3.0 | 52 |
| IH80-65-125A | 2900 | 27.2 45.3 54.4 | 7.56 12.58 15.11 | 19.1 16.5 14.5 | 58 67 65 | 2.44 3.04 3.30 | 4 | 5.5 | 7.5 | 3.0 3.0 4.0 | 52 |
| | 1450 | 13.6 22.6 27.2 | 3.78 6.28 7.56 | 4.8 4.1 3.6 | 52 62 60 | 0.34 0.41 0.44 | 0.55 | 0.75 | 1.1 | 2.5 2.5 3.0 | 52 |
| IH80-65-125B | 2900 | 25 42 50 | 6.94 11.66 13.88 | 16.5 14.5 12.5 | 57 66 64 | 1.97 2.51 2.66 | 3 | 4 | 5.5 | 3.0 3.0 4.0 | 52 |
| | 1450 | 12.5 21 25 | 3.47 5.83 6.94 | 4.1 3.6 3.1 | 51 61 59 | 0.27 0.34 0.36 | 0.55 | 0.75 | 1.1 | 2.5 2.5 3.0 | 52 |

安装尺寸图 Installation Dimensions Drawing



安装尺寸表 Installation Dimensions

| Type 泵型号 | 配套电机 Matched motor | | 安装尺寸 Installation Dimensions | | | | | | | | | | | | | | | | | | | | | | | | | | | | | | |
|-------------|-----------------------|----------------|------------------------------|-----|-----|-----|-----|-----|-----|-----|-----|-----|-----|-----|-----|-----|-----|-----|----|-----|-----|---------|-----|-----|-----|------|------|-----|-----|-----|-----|-----|-------|
| | 机座号 Motor Seat No. | 功率 Power KW | A | L1 | L2 | L3 | L4 | L5 | a | f | x | L6 | L7 | B2 | B3 | B4 | B5 | H2 | H3 | h | H | H1 | n-d | | | | | | | | | | |
| IH80-65-125 | YB 801-4 | 0.55 | 80 | 820 | 150 | 540 | 330 | 285 | 100 | 385 | 100 | 915 | 870 | 360 | 320 | 150 | 307 | 477 | 25 | 217 | 377 | 4-φ18.5 | n-d | | | | | | | | | | |
| | YB 802-4 | 0.75 | | | | | | | | | | | | | | | | | | | | | | | | | | | | | | | |
| | YB 90S-4 | 1.1 | | | | | | | | | | | | | | | | | | | | | | 360 | 310 | 945 | 900 | 155 | 225 | 317 | 482 | | |
| | YB 90L-4 | 1.5 | | | | | | | | | | | | | | | | | | | | | | 385 | 335 | 970 | 920 | 180 | 362 | 497 | | | |
| | YB 100L-2 | 3 | | | | | | | | | | | | | | | | | | | | | | 430 | 380 | 1015 | 965 | 190 | 370 | 505 | 30 | | |
| | YB 112M-2 | 4 | | | | | | | | | | | | | | | | | | | | | | 460 | 400 | 1045 | 985 | 240 | 440 | 595 | | | |
| | YB 132S1-2 | 5.5 | | | | | | | | | | | | | | | | | | | | | | 510 | 475 | 1095 | 1060 | 240 | 440 | 595 | 257 | 417 | 4-φ24 |
| | YB 132S2-2 | 7.5 | | | | | | | | | | | | | | | | | | | | | | 510 | 475 | 1095 | 1060 | 240 | 440 | 595 | 257 | 417 | 4-φ24 |
| | YB 160M1-4 | 11 | | | | | | | | | | | | | | | | | | | | | | 655 | 600 | 1240 | 1185 | 482 | 627 | | | | |

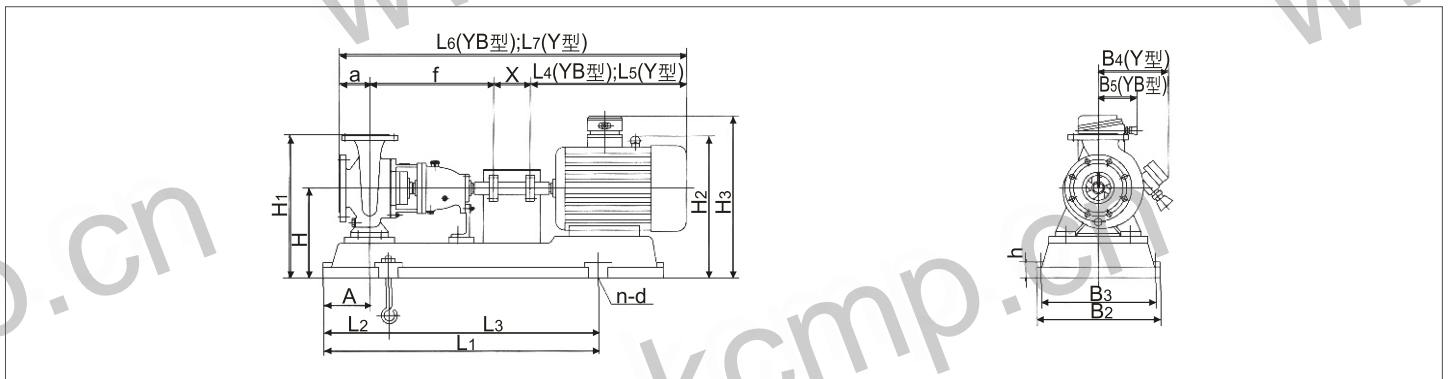
IH型泵性能参数表、安装尺寸图及安装尺寸表

Performance Parameters Table, Installation Dimensions Drawing and Installation Dimensions Table of IH Pumps

▶ **性能参数表** Performance Parameters

| Type 泵型号 | r/min speed 转速 | 流量 Q Capacity | | Head (m) 扬程 | Efficiency % 效率 | kw 轴功率 Shaft Power | | | (NPSH) _r (m) 必需汽蚀余量 Necessary(NPSH) _r | Pump Weight (kg) 泵重量 | |
|--------------|----------------------|-----------------------|-----------------------|----------------------|--------------------|---|------|------|---|-------------------------|----|
| | | m ³ /h | L/S | | | 匹配功率 Matched power 介质密度 (g/cm ³) | | | | | |
| | | | | | | | 1.0 | 1.35 | 1.85 | | |
| IH80-65-160 | 2900 | 30 50 60 | 8.33 13.9 16.7 | 36 32 28.4 | 57 67 65 | 5.16 6.5 7.15 | 11 | 11 | 15 | 2.0 2.3 3.3 | 57 |
| | 1450 | 15 25 30 | 4.17 6.94 8.33 | 9.0 8.0 7.2 | 50 62 62 | 0.74 0.88 0.95 | 1.5 | 1.5 | 2.2 | 2.0 2.3 3.3 | 57 |
| IH80-65-160A | 2900 | 27.2 45.4 54.4 | 7.56 12.6 15.11 | 29.5 26.4 23.4 | 55 65 63 | 3.97 5.02 5.5 | 7.5 | 11 | 15 | 2.0 2.3 3.3 | 57 |
| | 1450 | 13.6 22.7 27.2 | 3.78 6.31 7.56 | 7.4 6.6 5.9 | 48 60 60 | 0.57 0.68 0.73 | 1.1 | 1.5 | 2.2 | 2.0 2.3 3.3 | 57 |
| IH80-65-160B | 2900 | 24.3 40.5 48.6 | 6.75 11.25 13.5 | 24.0 21.5 19 | 54 64 62 | 2.94 3.71 4.1 | 5.5 | 7.5 | 11 | 2.0 2.3 3.3 | 57 |
| | 1450 | 12.2 20.3 24.33 | 3.39 5.64 6.75 | 6.0 5.4 4.8 | 47 59 59 | 0.42 0.51 0.54 | 0.75 | 1.1 | 1.5 | 2.0 2.3 3.3 | 57 |

▶ **安装尺寸图** Installation Dimensions Drawing



▶ **安装尺寸表** Installation Dimensions

| Type 泵型号 | 配套电机 Matched motor | | 安装尺寸 Installation Dimensions | | | | | | | | | | | | | | | | | | | | | | |
|-------------|-----------------------|----------------|------------------------------|----------------|----------------|----------------|----------------|----------------|-----|-----|-----|----------------|----------------|----------------|----------------|----------------|----------------|----------------|----------------|---|---|----------------|-----|---------|-------|
| | 机座号 Motor Seat No. | 功率 Power KW | A | L ₁ | L ₂ | L ₃ | L ₄ | L ₅ | a | f | x | L ₆ | L ₇ | B ₂ | B ₃ | B ₄ | B ₅ | H ₂ | H ₃ | h | H | H ₁ | n-d | | |
| IH80-65-160 | Y YB 802-4 | 0.75 | | | | | 330 | 285 | | | | 915 | 870 | | | 150 | | 335 | 505 | | | | | 4-φ18.5 | |
| | Y YB 90S-4 | 1.1 | 80 | 920 | 170 | 600 | 360 | 310 | | | | 945 | 895 | 390 | 350 | 155 | 225 | 345 | 510 | | | | | | |
| | Y YB 90L-4 | 1.5 | | | | | 385 | 335 | | | | 970 | 920 | | | | | | | | | | | | |
| | Y YB 100L1-4 | 2.2 | | | | | 430 | 380 | | | | 1050 | 965 | | | 180 | | 390 | 525 | | | | | | |
| | Y YB 132S1-2 | 5.5 | 95 | 1020 | 190 | 660 | 510 | 475 | 100 | 385 | 100 | 1095 | 1060 | 450 | 400 | 210 | | 428 | 583 | | | | | | |
| | Y YB 132S2-2 | 7.5 | | | | | | | | | | | | | | | 240 | | | | | | | | 4-φ24 |
| | Y YB 160M1-2 | 11 | | | | | | | | | | | | | | | | | | | | | | | |
| | Y YB 160M2-2 | 15 | 80 | 1140 | 210 | 740 | 655 | 600 | | | | 1240 | 1185 | 490 | 440 | 255 | | 485 | 630 | | | 260 | 440 | | |

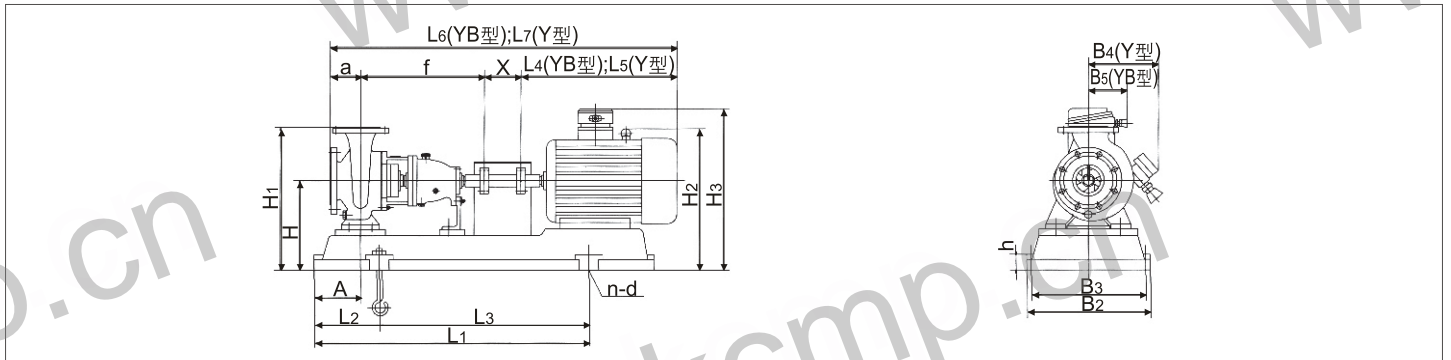
IH型泵性能参数表、安装尺寸图及安装尺寸表

Performance Parameters Table, Installation Dimensions Drawing and Installation Dimensions Table of IH Pumps

▶ **性能参数表** Performance Parameters

| Type 泵型号 | 转速 r/min speed | 流量Q Capacity | | Head (m) 扬程 | Efficiency η% 效率 | 轴功率 Shaft Power | kw 配用功率 Matched power | | | (NPSH)r (m) 必需汽蚀余量 Necessary(NPSH)r | Pump Weight (kg) 泵重量 |
|--------------|----------------------|----------------------|-----------------------|----------------------|------------------------|----------------------|--------------------------|------|------|--|----------------------------|
| | | m³/h | L/S | | | | 介质密度 (g/cm³) | | | | |
| IH80-50-200 | 2900 | 30 50 60 | 8.33 13.9 16.7 | 55.2 50 45.2 | 53 63 62 | 8.5 10.8 11.9 | 15 | 18.5 | 30 | 2.0 2.5 3.2 | 65 |
| | 1450 | 15 25 30 | 4.17 6.94 8.33 | 13.5 12.5 11.5 | 44 57 58 | 1.25 1.49 1.62 | 2.2 | 3 | 4 | 2.0 2.0 2.5 | 65 |
| IH80-50-200A | 2900 | 27.2 45.4 54.4 | 7.56 12.6 15.11 | 45.4 41 37.2 | 51 61 60 | 6.59 8.31 9.19 | 11 | 15 | 18.5 | 2.0 2.5 3.2 | 65 |
| | 1450 | 13.6 22.7 27.2 | 3.78 6.31 7.56 | 11.1 10.3 9.5 | 42 55 56 | 0.98 1.16 1.26 | 1.5 | 2.2 | 3.0 | 2.0 2.0 2.5 | 65 |
| IH80-50-200B | 2900 | 24.3 40.5 48.6 | 6.75 11.25 13.5 | 36 32.5 29 | 50 60 59 | 4.76 5.97 6.51 | 7.5 | 11 | 15 | 2.0 2.5 3.2 | 65 |
| | 1450 | 12.2 20.3 24.3 | 3.39 5.64 6.75 | 9.0 8.1 7.3 | 41 54 55 | 0.73 0.83 0.88 | 1.1 | 1.5 | 2.2 | 2.0 2.0 2.5 | 65 |

▶ **安装尺寸图** Installation Dimensions Drawing



▶ **安装尺寸表** Installation Dimensions

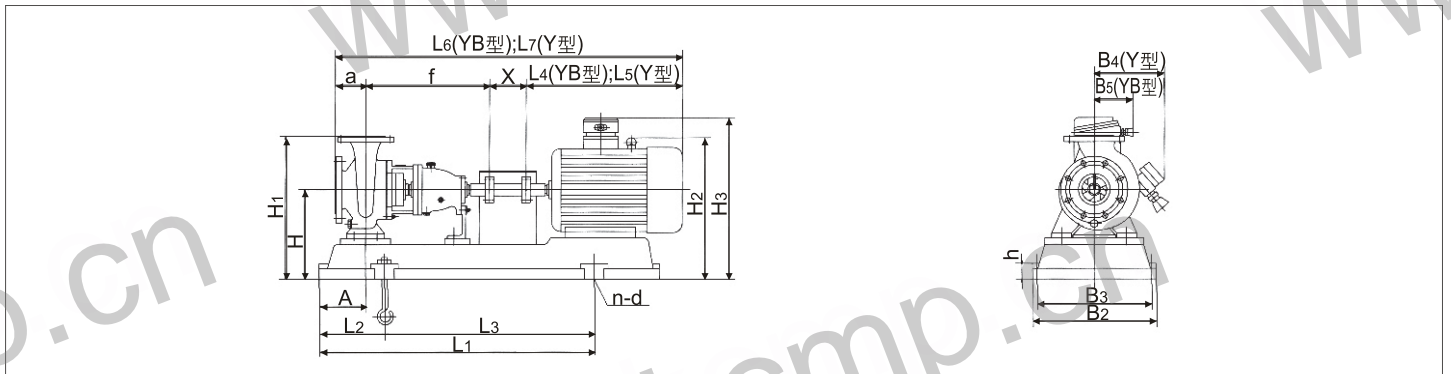
| Type 泵型号 | 配套电机 Matched motor | | 安装尺寸 Installation Dimensions | | | | | | | | | | | | | | | | | | | | | | |
|-------------|-----------------------|----------------|------------------------------|------|-----|-----|-----|-----|-----|-----|-----|------|------|-----|-----|-----|-----|-----|-----|-----|-----|-----|-----|----------|--------|
| | 机座号 Motor Seat No. | 功率 Power KW | A | L1 | L2 | L3 | L4 | L5 | a | f | x | L6 | L7 | B2 | B3 | B4 | B5 | H2 | H3 | h | H | H1 | n-d | | |
| IH80-50-200 | YB 90S-4 | 1.1 | | | | | 360 | 310 | | | | 945 | 895 | | | 155 | | 345 | 510 | | | | | 4-φ 18.5 | |
| | YB 90L-4 | 1.5 | | | | | 385 | 335 | | | | 970 | 920 | | | | | | | | | | | | 4-φ 24 |
| | YB 100L1-4 | 2.2 | 80 | 920 | 170 | 600 | 430 | 380 | | | | 1015 | 965 | 390 | 350 | 180 | 225 | 390 | 525 | | 245 | 445 | | | |
| | YB 100L2-4 | 3 | | | | | 460 | 400 | | | | 1045 | 985 | | | 190 | | 398 | 533 | | | | | | |
| | YB 112M-4 | 4 | | | | | 460 | 400 | 100 | 385 | 100 | 1045 | 985 | | | 190 | | 398 | 533 | | | | | | |
| | YB 132S2-2 | 7.5 | 95 | 1020 | 190 | 660 | 510 | 475 | | | | 1095 | 1060 | 450 | 400 | 210 | | 428 | 583 | | 30 | | | | |
| | YB 160M1-2 | 11 | | | | | 655 | 600 | | | | 1240 | 1185 | | | | | | | | | | | | |
| | YB 160M2-2 | 15 | | | | | 655 | 600 | | | | 1240 | 1185 | | | | 255 | 240 | 485 | 630 | | | | | |
| | YB 160L-2 | 18.5 | 80 | 1140 | 210 | 740 | 695 | 645 | | | | 1280 | 1230 | 490 | 440 | | | | | | | 260 | 460 | | |
| | YB 180M-2 | 22 | | | | | 730 | 670 | | | | 1315 | 1255 | | | | 285 | | 510 | 645 | | | | | |

IH型泵性能参数表、安装尺寸图及安装尺寸表 Performance Parameters Table, Installation Dimensions Drawing and Installation Dimensions Table of IH Pumps

性能参数表 Performance Parameters

| Type 泵型号 | r/min speed 转速 | 流量Q Capacity | | Head (m) 扬程 | Efficiency η% 效率 | kw 轴功率 Shaft Power | | | (NPSH) _r (m) 必需汽蚀余量 Necessary(NPSH) _r | Pump Weight (kg) 泵重量 | |
|--------------|----------------------|-------------------|-------|----------------|------------------------|--------------------------|-----------------------|--|--|----------------------------|-----|
| | | m ³ /h | L/S | | | 轴功率 Shaft Power | 配用功率 Matched power | 介质密度 (g/cm ³) 1.0 1.35 1.85 | | | |
| IH80-50-250 | 2900 | 30 | 8.33 | 83.5 | 46 | 14.8 | 30 | 37 | 45 | 2.5 2.5 3.0 | 103 |
| | | 50 | 13.9 | 80 | 58 | 18.8 | | | | | |
| 60 | | 16.7 | 76 | 60 | 20.7 | | | | | | |
| IH80-50-250A | 1450 | 15 | 4.17 | 21 | 43 | 1.99 | 4 | 5.5 | 7.5 | 2.0 2.0 2.5 | 103 |
| | | 25 | 6.94 | 20 | 52 | 2.62 | | | | | |
| | | 30 | 8.33 | 19 | 54 | 2.87 | | | | | |
| IH80-50-250A | 2900 | 28.14 | 7.82 | 73.6 | 43 | 13.12 | 22 | 30 | 37 | 2.5 2.5 3.0 | 103 |
| | | 46.9 | 13.03 | 70.5 | 56 | 16.08 | | | | | |
| | | 56.28 | 15.63 | 67.4 | 58 | 17.81 | | | | | |
| IH80-50-250A | 1450 | 14.07 | 3.91 | 18.4 | 42 | 1.68 | 3 | 4 | 5.5 | 2.0 2.0 2.5 | 103 |
| | | 23.45 | 6.51 | 17.6 | 50 | 2.25 | | | | | |
| | | 28.14 | 7.82 | 16.9 | 49 | 2.64 | | | | | |
| IH80-50-250B | 2900 | 26.4 | 7.33 | 64.8 | 41 | 11.36 | 18.5 | 30 | 37 | 2.5 2.5 3.0 | 103 |
| | | 44 | 12.22 | 62.2 | 54 | 13.8 | | | | | |
| | | 52.8 | 14.67 | 60 | 57 | 15.14 | | | | | |
| IH80-50-250B | 1450 | 13.2 | 3.67 | 16.2 | 41 | 1.42 | 3 | 40 | 5.5 | 2.0 2.0 2.5 | 103 |
| | | 22 | 6.11 | 15.6 | 48 | 1.95 | | | | | |
| | | 26.4 | 7.33 | 15 | 47 | 2.29 | | | | | |

安装尺寸图 Installation Dimensions Drawing



安装尺寸表 Installation Dimensions

| Type 泵型号 | 配套电机 Matched motor | | 安装尺寸 Installation Dimensions | | | | | | | | | | | | | | | | | | | | |
|-------------|-----------------------|----------------|------------------------------|------|-----|-----|-----|-----|-----|-----|-----|------|------|-----|-----|-----|-----|-----|-----|----|-----|-----|-------|
| | 机座号 Motor Seat No. | 功率 Power KW | A | L1 | L2 | L3 | L4 | L5 | a | f | x | L6 | L7 | B2 | B3 | B4 | B5 | H2 | H3 | h | H | H1 | n-d |
| IH80-50-250 | YB 100L1-4 | 2.2 | 95 | 1070 | 190 | 660 | 430 | 380 | 125 | 500 | 100 | 1155 | 1105 | 450 | 400 | 180 | 255 | 410 | 545 | 30 | 265 | 490 | 4-φ24 |
| | YB 100L2-4 | 3 | | | | | 460 | 400 | | | | 1185 | 1125 | | | 190 | 418 | 553 | | | | | |
| | YB 112M-4 | 4 | | | | | 510 | 475 | | | | 1235 | 1200 | | | 190 | 503 | 658 | | | | | |
| | YB 132S-4 | 5.5 | | | | | 550 | 515 | | | | 1275 | 1240 | | | 240 | 503 | 658 | | | | | |
| | YB 132M-4 | 7.5 | | | | | 550 | 515 | | | | 1275 | 1240 | | | 240 | 503 | 658 | | | | | |
| | YB 160M2-2 | 15 | | | | | 655 | 600 | | | | 1380 | 1325 | | | 240 | 525 | 670 | | | | | |
| | YB 160L-2 | 18.5 | | | | | 695 | 645 | | | | 1420 | 1370 | | | 240 | 525 | 670 | | | | | |
| | YB 180M-2 | 22 | | | | | 730 | 670 | | | | 1455 | 1395 | | | 240 | 525 | 670 | | | | | |
| | YB 200L1-2 | 30 | | | | | 805 | 775 | | | | 1530 | 1500 | | | 290 | 635 | 785 | | | | | |
| | YB 200L2-2 | 37 | | | | | 805 | 775 | | | | 1530 | 1500 | | | 290 | 635 | 785 | | | | | |
| | YB 225M-2 | 45 | | | | | 840 | 815 | | | | 1565 | 1540 | | | 345 | 665 | 805 | | | | | |

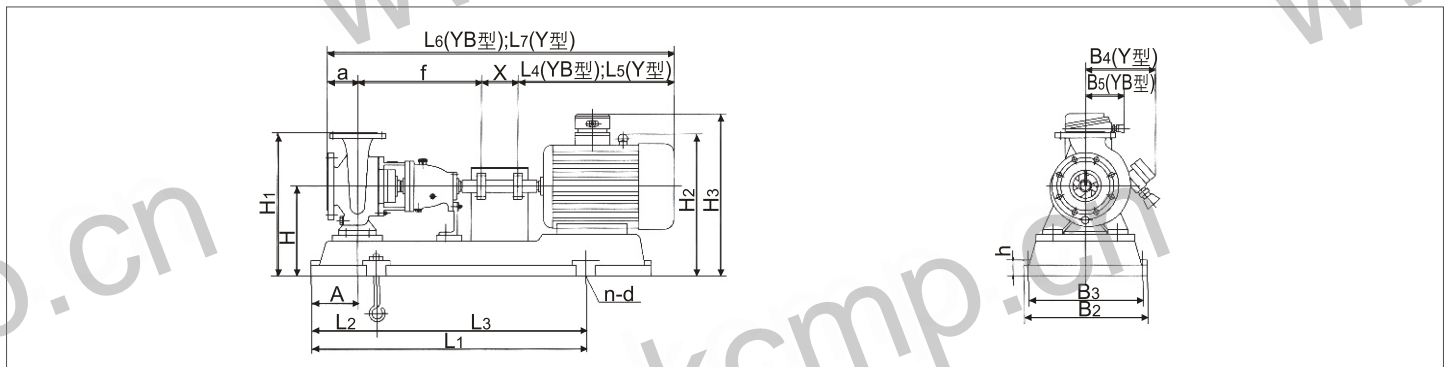
IH型泵性能参数表、安装尺寸图及安装尺寸表

Performance Parameters Table, Installation Dimensions Drawing and Installation Dimensions Table of IH Pumps

性能参数表 Performance Parameters

| Type 泵型号 | r/min speed 转速 | 流量Q Capacity | | Head (m) 扬程 | Efficiency η% 效率 | kw 轴功率 Shaft Power | | | (NPSH)r (m) 必需汽蚀余量 Necessary(NPSH)r | Pump Weight (kg) 泵重量 | |
|--------------|----------------------|--------------|-------|----------------|------------------------|--------------------------|------------------------------------|-----|--|----------------------------|-----|
| | | m³/h | L/S | | | 轴功率 | 配用功率 Matched power 介质密度 (g/cm³) | | | | |
| IH80-50-315 | 2900 | 30 | 8.33 | 128 | 40 | 26.13 | 45 | 55 | 75 | 2.0 | 121 |
| | | 50 | 13.9 | 125 | 52 | 32.73 | | | | 2.0 | |
| 60 | | 16.7 | 123 | 55 | 36.61 | 2.5 | | | | | |
| IH80-50-315A | 1450 | 15 | 4.17 | 32.5 | 38 | 3.5 | 7.5 | 7.5 | 11 | 2.0 | 121 |
| | | 25 | 6.94 | 32 | 48 | 4.54 | | | | 2.0 | |
| | | 30 | 8.33 | 31.5 | 52 | 4.95 | | | | 2.5 | |
| IH80-50-315A | 2900 | 28.14 | 7.82 | 112 | 38 | 22.59 | 37 | 55 | 75 | 2.0 | 121 |
| | | 46.9 | 13.03 | 110 | 50 | 28.10 | | | | 2.0 | |
| | | 56.28 | 15.63 | 108 | 53 | 31.23 | | | | 2.5 | |
| IH80-50-315A | 1450 | 14.07 | 3.91 | 28.5 | 36 | 3.03 | 5.5 | 7.5 | 11 | 2.0 | 121 |
| | | 23.45 | 6.51 | 28 | 46 | 3.89 | | | | 2.0 | |
| | | 28.14 | 7.82 | 27.5 | 50 | 4.21 | | | | 2.5 | |
| IH80-50-315B | 2900 | 26.4 | 7.33 | 99 | 36 | 19.77 | 30 | 45 | 55 | 2.0 | 121 |
| | | 44 | 12.22 | 97 | 48 | 24.21 | | | | 2.0 | |
| | | 52.8 | 14.67 | 95 | 51 | 26.78 | | | | 2.5 | |
| IH80-50-315B | 1450 | 13.2 | 3.67 | 25 | 35 | 2.57 | 4.0 | 5.5 | 7.5 | 2.0 | 121 |
| | | 22 | 6.11 | 24.5 | 45 | 3.26 | | | | 2.0 | |
| | | 26.4 | 7.33 | 24 | 49 | 3.52 | | | | 2.5 | |
| IH80-50-315C | 2900 | 23.4 | 6.5 | 79 | 35 | 14.4 | 22 | 30 | 45 | 2.0 | 121 |
| | | 39 | 10.8 | 77 | 47 | 17.35 | | | | 2.0 | |
| | | 46.8 | 13 | 75.5 | 50 | 19.25 | | | | 2.5 | |
| IH80-50-315C | 1450 | 11.7 | 3.25 | 20 | 34 | 1.87 | 3 | 4 | 5.5 | 2.0 | 121 |
| | | 19.5 | 5.42 | 19.5 | 44.5 | 2.33 | | | | 2.0 | |
| | | 23.4 | 6.5 | 19 | 48 | 2.52 | | | | 2.5 | |

安装尺寸图 Installation Dimensions Drawing



安装尺寸表 Installation Dimensions

| Type 泵型号 | 配套电机 Matched motor | | 安装尺寸 Installation Dimensions | | | | | | | | | | | | | | | | | | | | | | |
|-------------|-----------------------|----------------|------------------------------|------|-----|------|------|------|-----|-----|-----|------|------|-----|-----|-----|-----|-----|-----|----|-----|-----|-----|-------|--|
| | 机座号 Motor Seat No. | 功率 Power KW | A | L1 | L2 | L3 | L4 | L5 | a | f | x | L6 | L7 | B2 | B3 | B4 | B5 | H2 | H3 | h | H | H1 | n-d | | |
| IH80-50-315 | YB 112M-4 | 4 | | | | | 460 | 400 | | | | 1185 | 1125 | | | 190 | 225 | 478 | 613 | | | | | | |
| | YB 132S-4 | 5.5 | 95 | 1140 | 210 | 740 | 510 | 475 | | | | 1235 | 1200 | 490 | 440 | | | | | 30 | 325 | 605 | | | |
| | YB 132M-4 | 7.5 | | | | | 550 | 515 | | | | 1275 | 1240 | | | 210 | | 508 | 663 | | | | | 4-φ24 | |
| | YB 160M-4 | 11 | 110 | | | | 655 | 600 | | | | 1380 | 1325 | 540 | 490 | 255 | | 570 | 715 | | | 345 | 625 | | |
| | YB 160L-4 | 15 | | | | | 695 | 645 | | | | 1420 | 1370 | | | | | | | | | | | | |
| | YB 200L1-2 | 30 | | 1420 | 250 | 940 | 805 | 775 | 125 | 500 | 100 | 1530 | 1500 | | | 310 | | 680 | 830 | | | 40 | 405 | 685 | |
| | YB 200L2-2 | 37 | 95 | | | | 840 | 815 | | | | 1565 | 1540 | | | 345 | | 710 | 850 | | | | | 4-φ28 | |
| | YB 225M-2 | 45 | | | | | | | | | | 1660 | 1655 | 660 | 600 | 385 | | 750 | 945 | | | | | | |
| | YB 250M-2 | 55 | | 1620 | 290 | 1060 | 935 | 930 | | | | 1735 | 1725 | 730 | 670 | 410 | 330 | 785 | 975 | | | 425 | 705 | | |
| | YB 280S-2 | 75 | 110 | 1820 | 320 | 1200 | 1010 | 1000 | | | | | | | | | | | | | | | | | |

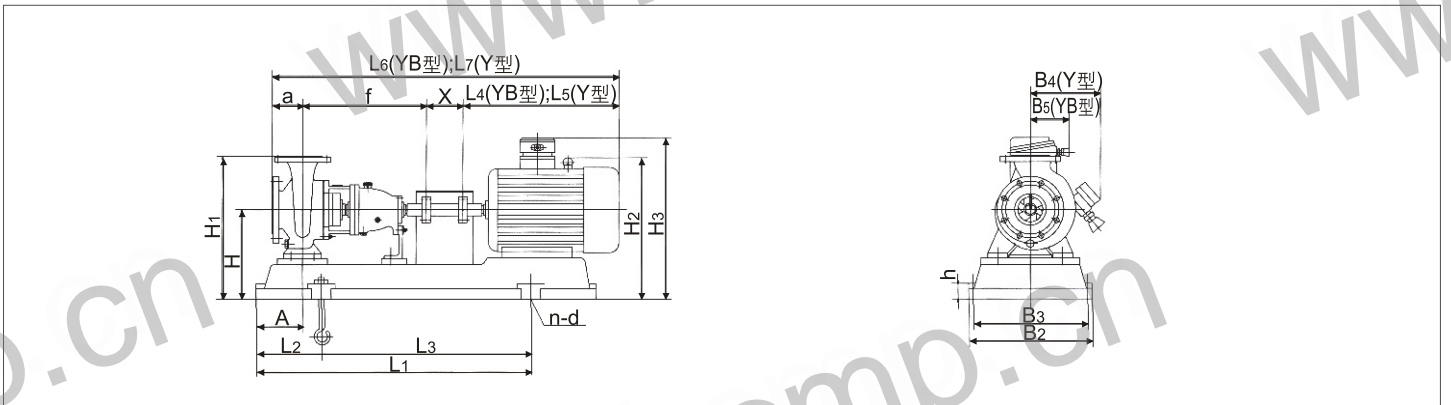
IH型泵性能参数表、安装尺寸图及安装尺寸表

Performance Parameters Table, Installation Dimensions Drawing and Installation Dimensions Table of IH Pumps

▶ **性能参数表 Performance Parameters**

| Type 泵型号 | r/min speed 转速 | 流量Q Capacity | | Head (m) 扬程 | Efficiency η% 效率 | kw 轴功率 Shaft Power | | | (NPSH) _r (m) 必需汽蚀余量 Necessary(NPSH) _r | Pump Weight (kg) 泵重量 | |
|---------------|----------------------|-------------------|-------|-------------------|------------------------|--------------------------|---|------|--|----------------------------|----|
| | | m ³ /h | L/S | | | 轴功率 Shaft Power | 配用功率 Matched power 介质密度 (g/cm ³) | | | | |
| | | | | | | | 1.0 | 1.35 | 1.85 | | |
| IH100-80-125 | 2900 | 60 | 16.7 | 24.7 | 65 | 6.21 | 11 | 15 | 18.5 | 3.0 | 57 |
| | | 100 | 27.8 | 20 | 73 | 7.47 | | | | | |
| | | 120 | 33.3 | 16.1 | 69 | 7.63 | | | | | |
| IH100-80-125A | 2900 | 55.1 | 15.31 | 20.7 | 62 | 5.01 | 7.5 | 11 | 15 | 3.0 | 57 |
| | | 91.8 | 25.5 | 16.8 | 70 | 6.0 | | | | | |
| | | 110.2 | 30.6 | 13.4 | 66 | 6.09 | | | | | |
| IH100-80-125A | 1450 | 27.5 | 7.64 | 5.18 | 58 | 0.67 | 1.1 | 1.5 | 2.2 | 3.0 | 57 |
| | | 45.9 | 12.75 | 4.2 | 66 | 0.80 | | | | | |
| | | 55 | 15.28 | 3.35 | 60 | 0.84 | | | | | |

▶ **安装尺寸图 Installation Dimensions Drawing**



▶ **安装尺寸表 Installation Dimensions**

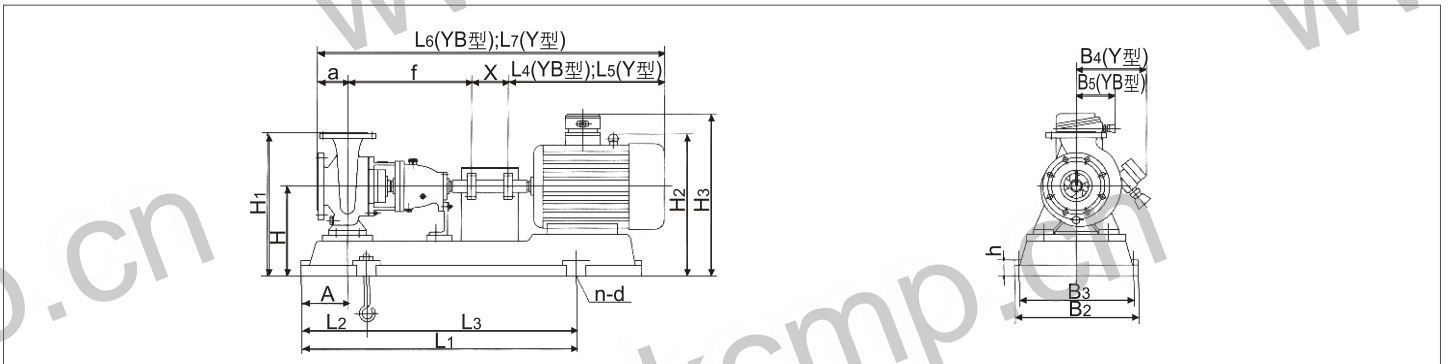
| Type 泵型号 | 配套电机 Matched motor | | 安装尺寸 Installation Dimensions | | | | | | | | | | | | | | | | | | | | | | | | | | | | |
|--------------|-----------------------|----------------|------------------------------|-----|-----|-----|------|-----|-----|-----|-----|------|-----|-----|-----|-----|------|------|----|-----|-----|----------|-----|-----|-----|-----|-----|-----|-----|--------|--------|
| | 机座号 Motor Seat No. | 功率 Power KW | A | L1 | L2 | L3 | L4 | L5 | a | f | x | L6 | L7 | B2 | B3 | B4 | B5 | H2 | H3 | h | H | H1 | n-d | | | | | | | | |
| IH100-80-125 | YB 802-4 | 0.75 | 95 | 920 | 170 | 600 | 330 | 285 | 100 | 385 | 100 | 915 | 870 | 390 | 350 | 150 | 335 | 505 | 30 | 245 | 425 | 4-φ 18.5 | | | | | | | | | |
| | YB 90S-4 | 1.1 | | | | | 360 | 310 | | | | 945 | 895 | | | 155 | 345 | 510 | | | | | | | | | | | | | |
| | YB 90L-4 | 1.5 | | | | | 385 | 335 | | | | 970 | 920 | | | 180 | 390 | 525 | | | | | | | | | | | | | |
| | YB 100L1-4 | 2.2 | | | | | 430 | 380 | | | | 1015 | 965 | | | 190 | 398 | 533 | | | | | | | | | | | | | |
| | YB 100L2-4 | 3 | | | | | 460 | 400 | | | | 1045 | 985 | | | 190 | 398 | 533 | | | | | | | | | | | | | |
| | YB 112M-4 | 4 | | | | | 460 | 400 | | | | 1045 | 985 | | | 190 | 398 | 533 | | | | | | | | | | | | | |
| | YB 132S1-2 | 5.5 | | | | | 1020 | 190 | | | | 660 | 510 | | | 475 | 1095 | 1060 | | | | | 450 | 400 | 210 | 428 | 583 | 240 | 260 | 440 | 4-φ 24 |
| | YB 132S2-2 | 7.5 | | | | | 1020 | 190 | | | | 660 | 510 | | | 475 | 1095 | 1060 | | | | | 450 | 400 | 210 | 428 | 583 | | | | |
| | YB 160M1-2 | 11 | | | | | 1140 | 210 | | | | 740 | 655 | | | 600 | 1240 | 1185 | | | | | 490 | 440 | 255 | 485 | 630 | 260 | 440 | 4-φ 24 | |
| | YB 160M2-2 | 15 | | | | | 1140 | 210 | | | | 740 | 655 | | | 600 | 1240 | 1185 | | | | | 490 | 440 | 255 | 485 | 630 | 260 | 440 | 4-φ 24 | |

IH型泵性能参数表、安装尺寸图及安装尺寸表 Performance Parameters Table, Installation Dimensions Drawing and Installation Dimensions Table of IH Pumps

▶ **性能参数表** Performance Parameters

| Type 泵型号 | r/min speed 转速 | 流量 Q Capacity | | Head (m) 扬程 | Efficiency % 效率 | kw 轴功率 Shaft Power | | | (NPSH) _r (m) 必需汽蚀余量 Necessary(NPSH) _r | Pump Weight (kg) 泵重量 | |
|---------------|----------------------|----------------------|-------------------------|----------------------|--------------------|-----------------------|------|------|--|-------------------------|----|
| | | m ³ /h | L/S | | | 1.0 | 1.35 | 1.85 | | | |
| IH100-80-160 | 2900 | 60 100 120 | 16.7 27.8 33.3 | 37 32 28 | 60 73 73 | 10.1 11.9 12.5 | 15 | 22 | 30 | 3.8 4.3 5.0 | 87 |
| | 1450 | 30 50 60 | 8.33 13.9 16.7 | 9.25 8.0 7.0 | 58 69 68 | 1.3 1.58 1.68 | 2.2 | 3 | 4 | 3.0 3.4 3.7 | 87 |
| IH100-80-160A | 2900 | 54.6 91 109 | 15.17 25.28 30.28 | 30.6 26.5 23.2 | 58 71 71 | 7.84 9.25 9.7 | 15 | 18.5 | 22 | 3.8 4.3 5.0 | 87 |
| | 1450 | 27.3 45.5 54.5 | 7.58 12.64 15.14 | 7.65 6.6 5.8 | 56 67 66 | 1.02 1.22 1.3 | 1.5 | 2.2 | 3.0 | 3.0 3.4 3.7 | 87 |
| IH100-80-160B | 2900 | 47 78.5 94 | 13.1 21.8 26.1 | 22.5 19.5 17 | 56 69 69 | 5.16 6.04 6.3 | 7.5 | 11 | 15 | 3.8 4.3 5.0 | 87 |
| | 1450 | 23.5 39.3 47 | 6.53 10.92 13.06 | 5.6 4.9 4.3 | 55 66 65 | 0.65 0.79 0.85 | 1.1 | 1.5 | 2.2 | 3.0 3.4 3.7 | 87 |

▶ **安装尺寸图** Installation Dimensions Drawing



▶ **安装尺寸表** Installation Dimensions

| Type 泵型号 | 配套电机 Matched motor | | 安装尺寸 Installation Dimensions | | | | | | | | | | | | | | | | | | | | | | | |
|--------------|-----------------------|----------------|------------------------------|------|-----|-----|-----|-----|---|---|---|------|------|----|----|-----|-----|-----|-----|-----|---|----|-----|-----|--|--|
| | 机座号 Motor Seat No. | 功率 Power KW | A | L1 | L2 | L3 | L4 | L5 | a | f | x | L6 | L7 | B2 | B3 | B4 | B5 | H2 | H3 | h | H | H1 | n-d | | | |
| IH100-80-160 | YB 90L-4 | 1.5 | | | | | 385 | 335 | | | | 1085 | 1035 | | | 155 | | 385 | 550 | | | | | | | |
| | YB 100L1-4 | 2.2 | | | | | | | | | | | | | | | | | | | | | | | | |
| | YB 100L2-4 | 3 | | 1020 | 190 | 660 | 430 | 380 | | | | | | | | | | | | | | | 285 | 485 | | |
| | YB 112M-4 | 4 | | | | | 460 | 400 | | | | | | | | | 190 | | 438 | 573 | | | | | | |
| | YB 132S2-2 | 7.5 | | | | | | | | | | | | | | | | | | | | | | | | |
| | YB 160M1-2 | 11 | | | | | | | | | | | | | | | | | | | | | | | | |
| | YB 160M2-2 | 15 | | | | | | | | | | | | | | | | | | | | | | | | |
| | YB 160L-2 | 18.5 | | | | | | | | | | | | | | | | | | | | | | | | |
| | YB 180M-2 | 22 | | | | | | | | | | | | | | | | | | | | | | | | |
| | YB 200L1-2 | 30 | | | | | | | | | | | | | | | | | | | | | | | | |

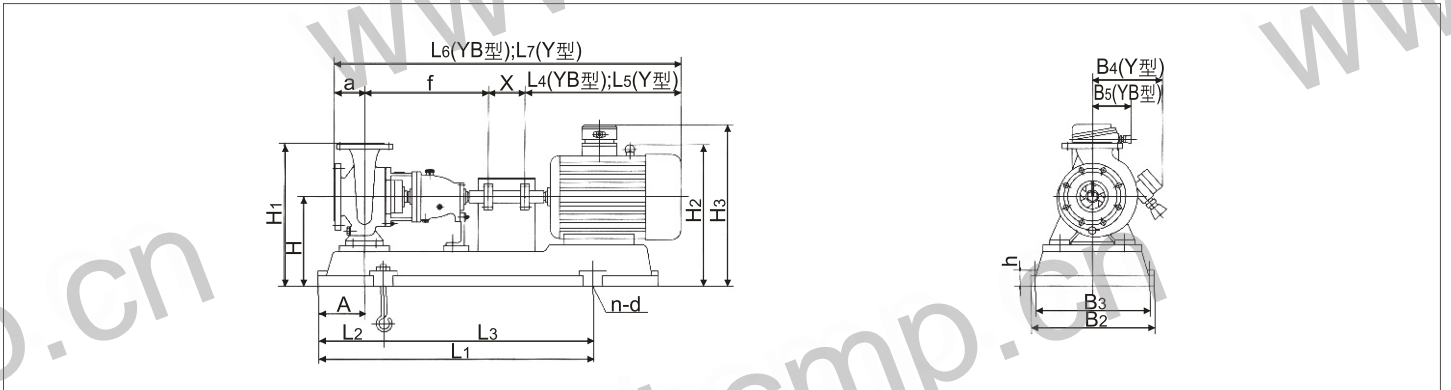
IH型泵性能参数表、安装尺寸图及安装尺寸表

Performance Parameters Table, Installation Dimensions Drawing and Installation Dimensions Table of IH Pumps

▶ **性能参数表 Performance Parameters**

| Type 泵型号 | r/min speed 转速 | 流量Q Capacity | | Head (m) 扬程 | Efficiency η% 效率 | 轴功率 Shaft Power | kw 配用功率 Matched power | | | (NPSH)r (m) 必需汽蚀余量 Necessary(NPSH)r | Pump Weight (kg) 泵重量 |
|---------------|----------------------|----------------------|-------------------------|-----------------------|------------------------|------------------------|--------------------------|----|-----|--|----------------------------|
| | | m³/h | L/S | | | | 介质密度 (g/cm³) | | | | |
| IH100-65-200 | 2900 | 60 100 120 | 16.7 27.8 33.3 | 56 50 44 | 63 72 71 | 14.5 18.9 20.3 | 30 | 37 | 45 | 3.4 3.9 5.2 | 96 |
| | 1450 | 30 50 60 | 8.33 13.9 16.7 | 14.0 12.5 11.0 | 60 68 63 | 1.91 2.5 2.85 | 3 | 4 | 5.5 | 2.5 2.5 3.0 | 96 |
| IH100-65-200A | 2900 | 54.6 91 109 | 15.17 25.28 30.28 | 46.5 41.5 36.51 | 61 70 69 | 11.33 14.69 15.7 | 18.5 | 30 | 37 | 3.4 3.9 5.2 | 96 |
| | 1450 | 27.3 45.5 54.5 | 7.58 12.64 15.14 | 11.6 10.4 9.1 | 58 66 61 | 1.49 1.95 2.21 | 3 | 4 | 5.5 | 2.5 2.5 3.0 | 96 |
| IH100-65-200B | 2900 | 52 86.5 104 | 14.4 24 28.9 | 38 35 30 | 60 69 68 | 8.94 11.9 12.5 | 15 | 22 | 30 | 3.4 3.9 5.2 | 96 |
| | 1450 | 26 43.3 52 | 7.22 12.03 14.44 | 9.5 8.8 7.5 | 57 65 60 | 1.18 1.6 1.77 | 2.2 | 3 | 4 | 2.5 2.5 3.0 | 96 |

▶ **安装尺寸图 Installation Dimensions Drawing**



▶ **安装尺寸表 Installation Dimensions**

| Type 泵型号 | 配套电机 Matched motor | | 安装尺寸 Installation Dimensions | | | | | | | | | | | | | | | | | | | | |
|--------------|-----------------------|----------------|------------------------------|------|-----|-----|-----|-----|-----|-----|------|------|------|-----|-----|-----|-----|-----|-----|-----|-----|-----|-------|
| | 机座号 Motor Seat No. | 功率 Power KW | A | L1 | L2 | L3 | L4 | L5 | a | f | x | L6 | L7 | B2 | B3 | B4 | B5 | H2 | H3 | h | H | H1 | n-d |
| IH100-65-200 | YB 100L1-4 | 2.2 | | | | | 430 | 380 | | | | 1175 | 1120 | | | 180 | 225 | 465 | 600 | | 320 | 545 | 4-φ24 |
| | YB 100L2-4 | 3 | | | | | | | | | | | | | | | | | | | | | |
| | YB 112M-4 | 4 | 1400 | 210 | 740 | 460 | 400 | | | | | 1200 | 1140 | 490 | 440 | 190 | 225 | 433 | 568 | 30 | 280 | 505 | |
| | YB 132S-4 | 5.5 | | | | 510 | 475 | | | | | 1250 | 1215 | | | 210 | | 503 | 658 | | 320 | 545 | |
| | YB 132M-4 | 7.5 | | | | 550 | 515 | | | | | 1290 | 1255 | | | | | | | | | | |
| | YB 160M2-2 | 15 | 95 | | | 655 | 600 | 100 | 500 | 140 | 1395 | 1340 | | | | | 240 | | | | | | |
| | YB 160L-2 | 18.5 | | 1270 | | 225 | 840 | 695 | 645 | | | 1435 | 1385 | 540 | 490 | | 255 | | 525 | 670 | 40 | 300 | 525 |
| | YB 180M-2 | 22 | | 1290 | | | 730 | 670 | | | | 1470 | 1410 | | | 285 | | 590 | 725 | 30 | 340 | 565 | |
| | YB 200L1-2 | 30 | | | | | 805 | 775 | | | | 1545 | 1515 | | | 310 | | 635 | 785 | | | | 4-φ28 |
| | YB 200L2-2 | 37 | | 1420 | 250 | 940 | | | | | | | | 610 | 550 | | 290 | | | 40 | 360 | 585 | |
| | YB 225M-2 | 45 | | | | | 840 | 815 | | | | 1580 | 1555 | | | 345 | | 665 | 805 | | | | |

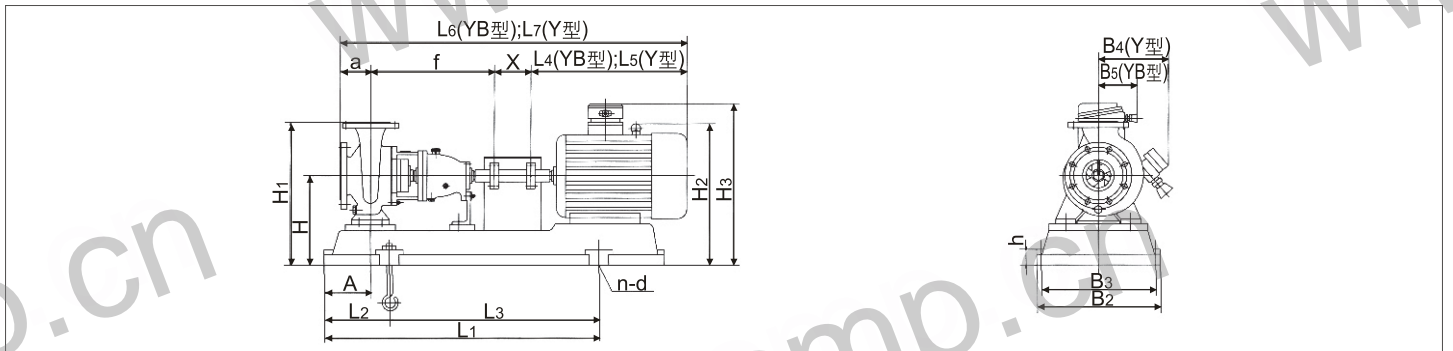
IH型泵性能参数表、安装尺寸图及安装尺寸表

Performance Parameters Table, Installation Dimensions Drawing and Installation Dimensions Table of IH Pumps

性能参数表 Performance Parameters

| Type 泵型号 | r/min speed 转速 | 流量Q Capacity | | Head (m) 扬程 | Efficiency η% 效率 | kw 轴功率 Shaft Power | | | (NPSH) _r (m) 必需汽蚀余量 Necessary(NPSH) _r | Pump Weight (kg) 泵重量 | |
|---------------|----------------------|-------------------|-------|----------------|------------------------|--------------------------|------|------|--|----------------------------|-----|
| | | m ³ /h | L/S | | | 1.0 | 1.35 | 1.85 | | | |
| IH100-65-250 | 2900 | 60 | 16.7 | 88 | 57 | 25.2 | 45 | 55 | 75 | 3.0 | 115 |
| | | 100 | 27.8 | 80 | 68 | 32.0 | | | | 3.6 | |
| | | 120 | 33.3 | 74 | 67 | 36.1 | | | | 4.5 | |
| | 1450 | 30 | 8.33 | 22 | 50 | 3.6 | 5.5 | 7.5 | 11 | 2.5 | |
| | | 50 | 13.9 | 20 | 63 | 4.3 | | | | 2.5 | |
| | | 60 | 16.7 | 18.5 | 64 | 4.7 | | | | 3.0 | |
| IH100-65-250A | 2900 | 56 | 15.6 | 77 | 54 | 21.8 | 37 | 45 | 75 | 3.0 | 115 |
| | | 93.5 | 26 | 70 | 65 | 27.5 | | | | 3.6 | |
| | | 112 | 31.1 | 64.5 | 64 | 30.7 | | | | 4.5 | |
| | 1450 | 28 | 7.78 | 19.2 | 48 | 3.05 | 5.5 | 7.5 | 11 | 2.5 | |
| | | 46.8 | 13 | 17.5 | 61 | 3.66 | | | | 2.5 | |
| | | 56 | 15.56 | 16.1 | 62 | 3.96 | | | | 3.0 | |
| IH100-65-250B | 2900 | 52.7 | 14.64 | 67.9 | 52 | 18.74 | 30 | 45 | 55 | 3.0 | 115 |
| | | 87.8 | 24.39 | 61.7 | 63.6 | 23.42 | | | | 3.6 | |
| | | 105.4 | 29.28 | 57 | 63.07 | 26.39 | | | | 4.5 | |
| | 1450 | 26.4 | 7.32 | 17 | 48.36 | 4.0 | 5.5 | 7.5 | 7.5 | 2.5 | |
| | | 43.9 | 12.19 | 15.4 | 60 | 4.0 | | | | 2.5 | |
| | | 52.7 | 14.64 | 14.3 | 61 | 4.0 | | | | 3.0 | |

安装尺寸图 Installation Dimensions Drawing



安装尺寸表 Installation Dimensions

| Type 泵型号 | 配套电机 Matched motor | | 安装尺寸 Installation Dimensions | | | | | | | | | | | | | | | | | | | | |
|--------------|-----------------------|----------------|------------------------------|------|-----|-----|------|------|-----|-----|-----|------|------|-----|-----|-----|-----|-----|-----|----|-----|-----|-------|
| | 机座号 Motor Seat No. | 功率 Power KW | A | L1 | L2 | L3 | L4 | L5 | a | f | x | L6 | L7 | B2 | B3 | B4 | B5 | H2 | H3 | h | H | H1 | n-d |
| IH100-65-250 | YB 100L2-4 | 3 | 110 | 1140 | 210 | 740 | 430 | 380 | 125 | 500 | 140 | 1195 | 1145 | 490 | 440 | 180 | 225 | 445 | 580 | 30 | 300 | 550 | 4-φ24 |
| | YB 112M-4 | 4 | | | | | 460 | 400 | | | | 1225 | 1165 | | | 190 | | 453 | 588 | | | | |
| | YB 132S-4 | 5.5 | | | | | 510 | 475 | | | | 1275 | 1240 | | | 210 | | 523 | 678 | | | | |
| | YB 132M-4 | 7.5 | | | | | 550 | 515 | | | | 1315 | 1280 | | | 240 | | 545 | 690 | | | | |
| | YB 160M-4 | 11 | | | | | 655 | 600 | | | | 1420 | 1365 | | | 255 | | 545 | 690 | | | | |
| | YB 160L-4 | 15 | | | | | 695 | 645 | | | | 1460 | 1410 | | | 285 | | 610 | 745 | | | | |
| | YB 180M-2 | 22 | | | | | 730 | 670 | | | | 1495 | 1435 | | | 310 | | 655 | 805 | | | | |
| | YB 200L1-2 | 30 | | | | | 805 | 775 | | | | 1570 | 1540 | | | 345 | | 685 | 825 | | | | |
| | YB 200L2-2 | 37 | | | | | 840 | 815 | | | | 1605 | 1580 | | | 330 | | 725 | 920 | | | | |
| | YB 225M-2 | 45 | | | | | 840 | 815 | | | | 1605 | 1580 | | | 330 | | 725 | 920 | | | | |
| | YB 250M-2 | 55 | | | | | 1060 | 935 | | | | 1700 | 1695 | | | 385 | | 760 | 950 | | | | |
| | YB 280S-2 | 75 | | | | | 1010 | 1000 | | | | 1775 | 1765 | | | 410 | | 760 | 950 | | | | |

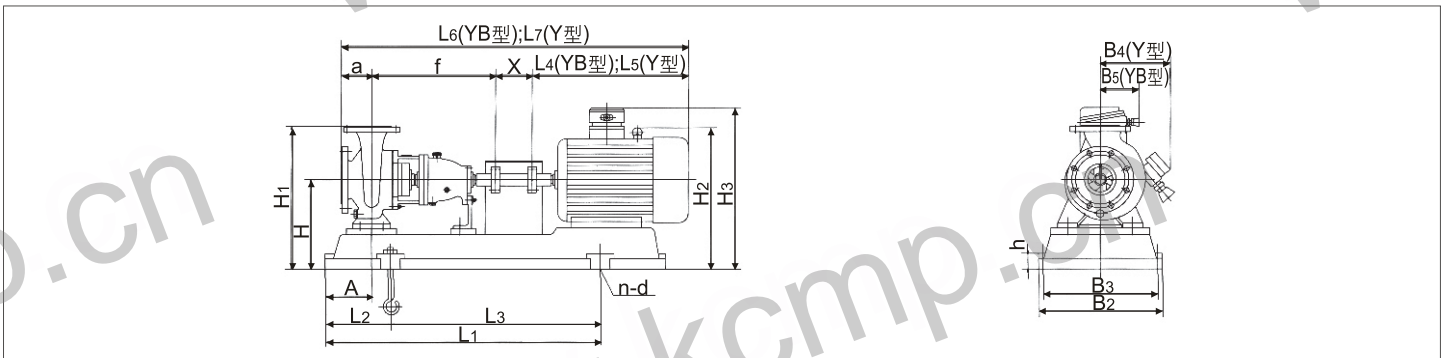
IH型泵性能参数表、安装尺寸图及安装尺寸表

Performance Parameters Table, Installation Dimensions Drawing and Installation Dimensions Table of IH Pumps

▶ **性能参数表 Performance Parameters**

| Type 泵型号 | r/min speed 转速 | 流量 Q Capacity | | Head (m) 扬程 | Efficiency % 效率 | kw 轴功率 Shaft Power | | | (NPSH) _r (m) 必需汽蚀余量 Necessary(NPSH) _r | Pump Weight (kg) 泵重量 | |
|---------------|----------------------|-------------------|-------|----------------|--------------------|--------------------------|-----------------------|---------------------------|--|-------------------------|-----|
| | | m ³ /h | L/S | | | 轴功率 Shaft Power | 配用功率 Matched power | 介质密度 (g/cm ³) | | | |
| IH100-65-315 | 2900 | 60 | 16.7 | 132 | 48 | 44.9 | 75 | 90 | 132 | 2.8 | 166 |
| | | 100 | 27.8 | 125 | 62 | 54.9 | | | | 3.2 | |
| | | 120 | 33.3 | 119 | 64 | 60.9 | | | | 4.2 | |
| IH100-65-315A | 1450 | 30 | 8.33 | 33.5 | 44 | 6.2 | 11 | 15 | 18.5 | 2.0 | 166 |
| | | 50 | 13.9 | 32 | 58 | 7.5 | | | | 2.0 | |
| | | 60 | 16.7 | 30.5 | 60 | 8.3 | | | | 2.5 | |
| IH100-65-315A | 2900 | 56 | 15.6 | 115.5 | 47 | 37.48 | 55 | 75 | 110 | 2.8 | 166 |
| | | 93.5 | 26 | 109 | 61 | 45.5 | | | | 3.2 | |
| | | 112 | 31.1 | 104 | 63 | 50.35 | | | | 4.2 | |
| IH100-65-315B | 1450 | 28 | 7.78 | 29 | 42 | 5.27 | 11 | 11 | 15 | 2.0 | 166 |
| | | 46.8 | 13 | 28 | 56 | 6.37 | | | | 2.0 | |
| | | 56 | 15.56 | 26.5 | 58 | 6.97 | | | | 2.5 | |
| IH100-65-315B | 2900 | 52.7 | 14.64 | 102 | 46 | 31.82 | 55 | 75 | 90 | 2.8 | 166 |
| | | 87.8 | 24.39 | 97 | 60 | 38.74 | | | | 3.2 | |
| | | 105.4 | 29.28 | 92 | 62 | 42.59 | | | | 4.2 | |
| IH100-65-315C | 1450 | 26.4 | 7.32 | 25.5 | 41 | 4.47 | 7.5 | 11 | 15 | 2.0 | 166 |
| | | 43.9 | 12.19 | 24.3 | 55 | 5.29 | | | | 2.0 | |
| | | 52.7 | 14.64 | 23 | 57 | 5.79 | | | | 2.5 | |
| IH100-65-315C | 2900 | 49.8 | 13.83 | 90.9 | 45 | 27.4 | 45 | 55 | 75 | 2.8 | 166 |
| | | 83 | 23.06 | 86.1 | 59 | 32.99 | | | | 3.2 | |
| | | 99.6 | 27.67 | 82 | 61 | 36.46 | | | | 4.2 | |
| IH100-65-315C | 1450 | 24.9 | 6.92 | 22.7 | 40 | 3.85 | 5.5 | 7.5 | 11 | 2.0 | 166 |
| | | 41.5 | 11.53 | 21.5 | 54 | 4.5 | | | | 2.0 | |
| | | 49.8 | 13.83 | 20.5 | 56 | 4.96 | | | | 2.5 | |

▶ **安装尺寸图 Installation Dimensions Drawing**



▶ **安装尺寸表 Installation Dimensions**

| Type 泵型号 | 配套电机 Matched motor | | 安装尺寸 Installation Dimensions | | | | | | | | | | | | | | | | | | | | | | | | | |
|--------------|-----------------------|----------------|------------------------------|------|------|------|------|------|-----|-----|-----|------|------|-----|-----|-----|------|------|-----|-----|-----|-----|-------|----|-----|-----|-------|-----|
| | 机座号 Motor Seat No. | 功率 Power KW | A | L1 | L2 | L3 | L4 | L5 | a | f | x | L6 | L7 | B2 | B3 | B4 | B5 | H2 | H3 | h | H | H1 | n-d | | | | | |
| IH100-65-315 | YB 132S-2 | 5.5 | 110 | 1270 | 225 | 840 | 510 | 475 | 125 | 530 | 140 | 1305 | 1270 | 540 | 490 | 210 | 240 | 528 | 683 | 40 | 345 | 625 | 4-φ24 | | | | | |
| | YB 132M-4 | 7.5 | | | | | 550 | 515 | | | | 1345 | 1310 | | | | | 570 | 715 | | | | | | | | | |
| | YB 160M-4 | 11 | | | | | 655 | 600 | | | | 1450 | 1395 | | | | | 710 | 715 | | | | | | | | | |
| | YB 160L-4 | 15 | | 1420 | 250 | 940 | 695 | 645 | | | | 1490 | 1440 | 125 | 530 | 140 | 1525 | 1465 | 610 | 550 | 310 | 655 | 790 | 40 | 405 | 685 | 4-φ28 | |
| | YB 180M-4 | 18.5 | | | | | 730 | 670 | | | | 1600 | 1570 | | | | 680 | 830 | | | | | | | | | | |
| | YB 200L2-4 | 37 | | | | | 805 | 775 | | | | 1635 | 1610 | | | | 710 | 850 | | | | | | | | | | |
| | YB 225M-2 | 45 | | 1620 | 290 | 1060 | 840 | 815 | | | | 1730 | 1725 | 125 | 530 | 140 | 1805 | 1795 | 660 | 600 | 385 | 750 | 945 | 40 | 425 | 705 | 4-φ28 | |
| | YB 250M-2 | 55 | | | | | 935 | 930 | | | | 1805 | 1795 | | | | 785 | 975 | | | | | | | | | | |
| | YB 280S-2 | 75 | | | | | 1010 | 1000 | | | | 1855 | 1845 | | | | 730 | 670 | | | | 410 | 785 | | | | | 975 |
| | YB 280M-2 | 90 | | 1060 | 1050 | | | | | | | | | | | | | | | | | | | | | | | |

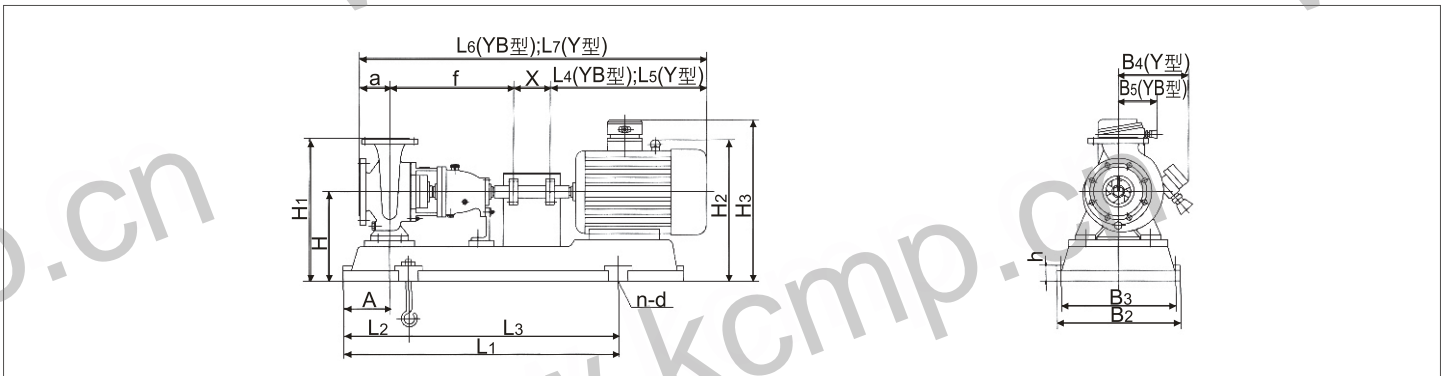
IH型泵性能参数表、安装尺寸图及安装尺寸表

Performance Parameters Table, Installation Dimensions Drawing and Installation Dimensions Table of IH Pumps

▶ **性能参数表 Performance Parameters**

| Type 泵型号 | r/min speed 转速 | 流量Q Capacity | | Head (m) 扬程 | Efficiency η% 效率 | 轴功率 Shaft Power | kw 配用功率 Matched power | | | (NPSH) _r (m) 必需汽蚀余量 Necessary(NPSH) _r | Pump Weight (kg) 泵重量 |
|----------------|----------------------|-------------------|-------|----------------|------------------------|--------------------|---------------------------|------|------|--|----------------------------|
| | | m ³ /h | L/S | | | | 介质密度 (g/cm ³) | | | | |
| | | | | | | | 1.0 | 1.35 | 1.85 | | |
| IH125-100-200 | 2900 | 120 | 33.3 | 61 | 68 | 29.3 | 45 | 55 | 90 | 4.5 | 99 |
| | | 200 | 55.6 | 50 | 77 | 35.4 | | | | | |
| | | 240 | 66.7 | 41 | 70 | 38.3 | | | | | |
| IH125-100-200A | 1450 | 60 | 16.7 | 15.25 | 64 | 3.89 | 7.5 | 11 | 15 | 2.5 | 99 |
| | | 100 | 27.8 | 12.5 | 73 | 4.66 | | | | | |
| | | 120 | 33.3 | 10.25 | 66 | 5.08 | | | | | |
| IH125-100-200A | 2900 | 110 | 30.56 | 50.5 | 66 | 22.92 | 37 | 45 | 75 | 4.5 | 99 |
| | | 182 | 50.56 | 41.4 | 75 | 27.36 | | | | | |
| | | 218 | 60.56 | 34 | 68 | 29.7 | | | | | |
| IH125-100-200A | 1450 | 55 | 15.28 | 12.6 | 62 | 3.04 | 5.5 | 7.5 | 11 | 2.5 | 99 |
| | | 91 | 25.3 | 10.4 | 71 | 3.63 | | | | | |
| | | 109 | 30.3 | 8.5 | 64 | 3.95 | | | | | |
| IH125-100-200B | 2900 | 99.6 | 27.67 | 41.5 | 65 | 17.32 | 30 | 37 | 55 | 4.5 | 99 |
| | | 166 | 46.11 | 34 | 74 | 20.77 | | | | | |
| | | 199 | 55.28 | 28 | 67 | 22.65 | | | | | |
| IH125-100-200B | 1450 | 49.8 | 13.83 | 10.5 | 61 | 2.33 | 4 | 5.5 | 7.5 | 2.5 | 99 |
| | | 83 | 23.1 | 8.5 | 70 | 2.74 | | | | | |
| | | 99.5 | 27.64 | 7.0 | 63 | 3.01 | | | | | |
| IH125-100-250 | 2900 | 120 | 33.3 | 90 | 62 | 47.4 | 75 | 110 | 132 | 3.7 | 151 |
| | | 200 | 55.6 | 80 | 75 | 58.1 | | | | | |
| | | 240 | 66.7 | 73 | 74 | 64.5 | | | | | |
| IH125-100-250 | 1450 | 60 | 16.7 | 22.5 | 59 | 6.23 | 11 | 15 | 18.5 | 2.0 | 151 |
| | | 100 | 27.8 | 20 | 72 | 7.56 | | | | | |
| | | 120 | 33.3 | 18.25 | 71 | 8.4 | | | | | |

▶ **安装尺寸图 Installation Dimensions Drawing**



▶ **安装尺寸表 Installation Dimensions**

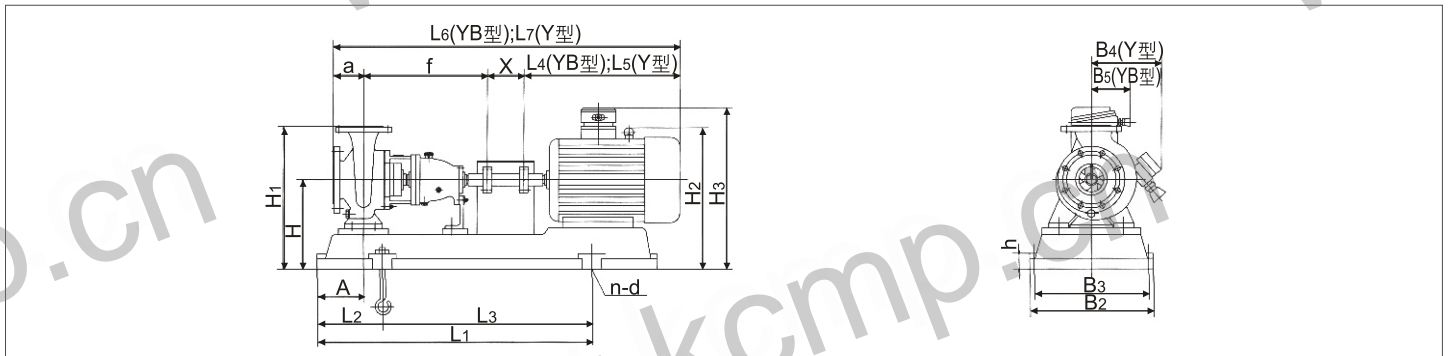
| Type 泵型号 | 配套电机 Matched motor | | 安装尺寸 Installation Dimensions | | | | | | | | | | | | | | | | | | | | | |
|---------------|-----------------------|----------------|------------------------------|----------------|----------------|----------------|----------------|----------------|------|-----|-----|----------------|----------------|----------------|----------------|----------------|----------------|----------------|----------------|-----|-----|----------------|-------|-------|
| | 机座号 Motor Seat No. | 功率 Power KW | A | L ₁ | L ₂ | L ₃ | L ₄ | L ₅ | a | f | x | L ₆ | L ₇ | B ₂ | B ₃ | B ₄ | B ₅ | H ₂ | H ₃ | h | H | H ₁ | n-d | |
| IH125-100-200 | Y YB | 112M-4 | 4 | | | | 460 | 400 | | | | 1225 | 1165 | | | 190 | 225 | 453 | 588 | | 300 | 580 | 4-φ24 | |
| | Y YB | 132S-4 | 5.5 | 1140 | 210 | 740 | 510 | 475 | | | | 1275 | 1240 | 490 | 440 | 210 | | 523 | 678 | 30 | 340 | 620 | | |
| | Y YB | 132M-4 | 7.5 | | | | 550 | 515 | | | | 1315 | 1280 | | | 240 | | | | | | | | |
| | Y YB | 160M-4 | 11 | 1290 | 225 | 840 | 655 | 600 | | | | 1420 | 1265 | 540 | 490 | 255 | | 545 | 690 | | 320 | 600 | | |
| | Y YB | 200L1-2 | 30 | 110 | 1420 | 250 | 940 | 805 | 775 | 125 | 500 | 140 | 1570 | 1540 | 610 | 550 | 310 | 290 | 655 | 805 | | | | |
| | Y YB | 200L2-2 | 37 | | 1420 | 250 | 840 | 805 | 775 | | | | 1570 | 1540 | 610 | 550 | 310 | 290 | 655 | 805 | 40 | 380 | | 660 |
| | Y YB | 225M-2 | 45 | | | | 840 | 815 | | | | 1605 | 1580 | | | 345 | | 685 | 825 | | | | | 4-φ28 |
| | Y YB | 250M-2 | 55 | | 1620 | 290 | 1060 | 935 | 930 | | | | 1700 | 1695 | 660 | 600 | 385 | 330 | 725 | 920 | | 400 | | 680 |
| | Y YB | 280S-2 | 75 | | 1820 | 320 | 1200 | 1010 | 1000 | | | | 1775 | 1765 | 730 | 670 | 410 | | 760 | 950 | | | | |

IH型泵性能参数表、安装尺寸图及安装尺寸表 Performance Parameters Table, Installation Dimensions Drawing and Installation Dimensions Table of IH Pumps

▶ **性能参数表** Performance Parameters

| Type 泵型号 | r/min speed 转速 | 流量Q Capacity | | Head (m) 扬程 | Efficiency η % 效率 | kw 轴功率 Shaft Power | | | (NPSH)r (m) 必需汽蚀余量 Necessary(NPSH)r | Pump Weight (kg) 泵重量 | |
|----------------|----------------------|-------------------|-------|----------------|---------------------------|---|------|------|---|-------------------------|-----|
| | | m ³ /h | L/S | | | 配用功率 Matched power 介质密度 (g/cm ³) | | | | | |
| | | | | | | 1.0 | 1.35 | 1.85 | | | |
| IH125-100-250A | 2900 | 112 | 31.11 | 78 | 60 | 39.65 | 75 | 90 | 110 | 3.7 | 151 |
| | | 186.5 | 51.81 | 69.5 | 73 | 48.35 | | | | 4.5 | |
| | | 224 | 62.22 | 63.5 | 72 | 53.8 | | | | 5.5 | |
| IH125-100-250B | 2900 | 56 | 15.6 | 19.5 | 57 | 5.22 | 11 | 11 | 15 | 2.0 | 151 |
| | | 93.5 | 26 | 17.5 | 70 | 6.37 | | | | 2.3 | |
| | | 112 | 31.11 | 16 | 69 | 7.07 | | | | 3.0 | |
| IH125-100-250C | 2900 | 105.5 | 29.3 | 69.0 | 58 | 34.18 | 55 | 75 | 110 | 3.7 | 151 |
| | | 175.5 | 48.75 | 61.5 | 71 | 41.4 | | | | 4.5 | |
| | | 211 | 58.6 | 56 | 70 | 45.97 | | | | 5.5 | |
| IH125-100-250C | 1450 | 52.75 | 14.65 | 17.25 | 55 | 4.51 | 7.5 | 11 | 15 | 2.0 | 151 |
| | | 87.8 | 24.38 | 15.4 | 58 | 5.41 | | | | 2.3 | |
| | | 105.5 | 29.31 | 14 | 67 | 6.0 | | | | 3.0 | |
| IH125-100-250C | 2900 | 95.4 | 26.5 | 57 | 56 | 26.44 | 45 | 55 | 75 | 3.7 | 151 |
| | | 159 | 44.17 | 50.5 | 69 | 31.7 | | | | 4.5 | |
| | | 190.8 | 53 | 46 | 68 | 35.15 | | | | 5.5 | |
| IH125-100-250C | 1450 | 47.7 | 13.25 | 14.25 | 53 | 3.49 | 5.5 | 7.5 | 11 | 2.0 | 151 |
| | | 79.5 | 22.1 | 12.6 | 66 | 4.13 | | | | 2.3 | |
| | | 95.4 | 26.5 | 11.5 | 65 | 4.6 | | | | 3.0 | |

▶ **安装尺寸图** Installation Dimensions Drawing



▶ **安装尺寸表** Installation Dimensions

| Type 泵型号 | 配套电机 Matched motor | | 安装尺寸 Installation Dimensions | | | | | | | | | | | | | | | | | | | | | | | | |
|---------------|-----------------------|----------------|------------------------------|------|-----|-----|------|------|-----|-----|-----|------|------|-----|-----|-----|-----|-----|-----|-----|----|-----|-----|--------------|-----|-----|-----|
| | 机座号 Motor Seat No. | 功率 Power KW | A | L1 | L2 | L3 | L4 | L5 | a | f | x | L6 | L7 | B2 | B3 | B4 | B5 | H2 | H3 | h | H | H1 | n-d | | | | |
| IH125-100-250 | YB 132S-4 | 5.5 | 110 | 1270 | 225 | 840 | 510 | 475 | 140 | 530 | 140 | 1320 | 1282 | 610 | 550 | 285 | 345 | 290 | 710 | 850 | 40 | 405 | 685 | 4- ϕ 24 | | | |
| | YB 132M-4 | 7.5 | | | | | 550 | 515 | | | | 1360 | 1325 | | | | | | | | | | | | 210 | 528 | 683 |
| | YB 160M-4 | 11 | | | | | 655 | 600 | | | | 1465 | 1410 | | | | | | | | | | | | 240 | 570 | 715 |
| | YB 160L-4 | 15 | | | | | 695 | 645 | | | | 1505 | 1455 | | | | | | | | | | | | 255 | 570 | 715 |
| | YB 180M-4 | 18.5 | | | | | 730 | 670 | | | | 1540 | 1480 | | | | | | | | | | | | 285 | 655 | 790 |
| | YB 225M-2 | 45 | | | | | 840 | 815 | | | | 1650 | 1625 | | | | | | | | | | | | 345 | 710 | 850 |
| | YB 250M-2 | 55 | | | | | 935 | 930 | | | | 1745 | 1740 | | | | | | | | | | | | 385 | 750 | 945 |
| | YB 280S-2 | 75 | | | | | 1010 | 1000 | | | | 1820 | 1810 | | | | | | | | | | | | 330 | 785 | 975 |
| | YB 280M-2 | 90 | | | | | 1060 | 1050 | | | | 1870 | 1860 | | | | | | | | | | | | 330 | 785 | 975 |

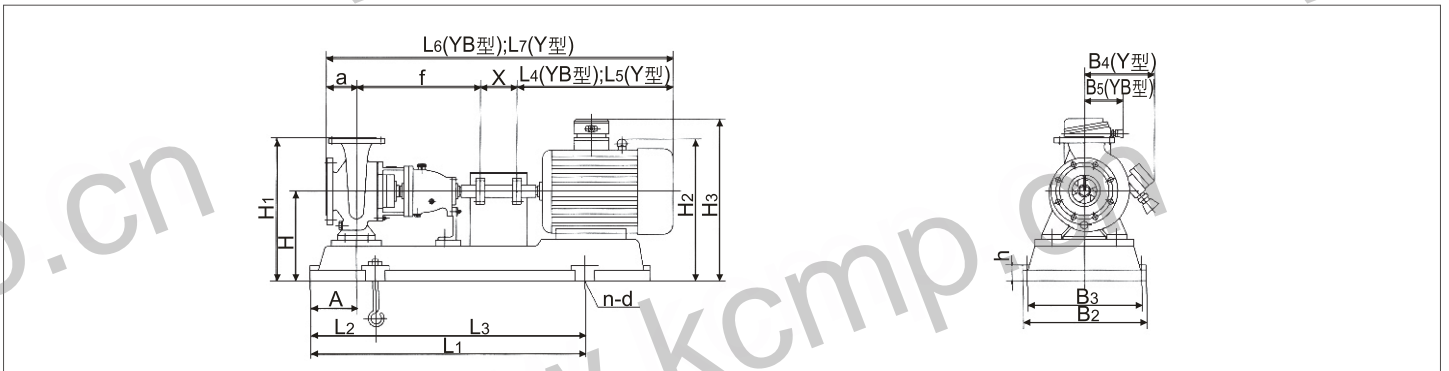
IH型泵性能参数表、安装尺寸图及安装尺寸表

Performance Parameters Table, Installation Dimensions Drawing and Installation Dimensions Table of IH Pumps

性能参数表 Performance Parameters

| Type 泵型号 | r/min speed 转速 | 流量 Q Capacity | | Head (m) 扬程 | Efficiency η % 效率 | kw | | | (NPSH) _r (m) 必需汽蚀余量 Necessary(NPSH) _r | Pump Weight (kg) 泵重量 | |
|----------------|----------------------|-------------------|-------|----------------|---------------------------|--------------------|---------------------------|------|--|-------------------------|-----|
| | | m ³ /h | L/S | | | 轴功率 Shaft Power | 配用功率 Matched power | | | | |
| | | | | | | | 介质密度 (g/cm ³) | | | | |
| | | | | | | 1.0 | 1.35 | 1.85 | | | |
| IH125-100-315 | 2900 | 120 | 33.3 | 132.5 | 52.5 | 82.48 | 132 | 160 | 220 | 4.0 | 166 |
| | | 200 | 55.6 | 125 | 72 | 94.56 | | | | 4.5 | |
| | | 240 | 66.7 | 120 | 75 | 104.6 | | | | 5.0 | |
| IH125-100-315A | 1450 | 60 | 16.7 | 33.5 | 53 | 10.3 | 18.5 | 22 | 30 | 2.5 | 166 |
| | | 100 | 27.8 | 32 | 65 | 13.41 | | | | 2.8 | |
| | | 120 | 33.3 | 30.5 | 66 | 15.1 | | | | 3.8 | |
| IH125-100-315A | 2900 | 112 | 31.11 | 117 | 49 | 72.83 | 110 | 132 | 190 | 4.0 | 166 |
| | | 186.5 | 51.81 | 110 | 68 | 82.38 | | | | 4.5 | |
| | | 224 | 62.22 | 106 | 71 | 91.28 | | | | 5.0 | |
| IH125-100-315B | 1450 | 56 | 15.6 | 29.5 | 54 | 8.33 | 15 | 18.5 | 30 | 2.5 | 166 |
| | | 93.5 | 26 | 27.5 | 64 | 10.94 | | | | 2.8 | |
| | | 112 | 31.11 | 26.5 | 65 | 12.47 | | | | 3.8 | |
| IH125-100-315B | 2900 | 105.5 | 29.3 | 103 | 47 | 62.95 | 90 | 132 | 160 | 4.0 | 166 |
| | | 175.5 | 48.75 | 97 | 66 | 70.44 | | | | 4.5 | |
| | | 211 | 58.6 | 93 | 69 | 77.45 | | | | 5.0 | |
| IH125-100-315B | 1450 | 52.75 | 14.65 | 25.8 | 53 | 6.99 | 15 | 18.5 | 22 | 2.5 | 166 |
| | | 87.8 | 24.38 | 24.5 | 63 | 9.32 | | | | 2.8 | |
| | | 105.5 | 29.31 | 23.5 | 64 | 10.54 | | | | 3.8 | |
| IH125-100-315C | 2900 | 98.7 | 27.42 | 90 | 46 | 52.6 | 75 | 110 | 132 | 4.0 | 166 |
| | | 164.5 | 45.7 | 84.5 | 65 | 58.24 | | | | 4.5 | |
| | | 197.4 | 54.83 | 81 | 68 | 64.04 | | | | 5.0 | |
| IH125-100-315C | 1450 | 49.4 | 13.72 | 22.5 | 52 | 5.82 | 11 | 15 | 18.5 | 2.5 | 166 |
| | | 82.3 | 22.86 | 21.5 | 62 | 7.77 | | | | 2.8 | |
| | | 98.7 | 27.42 | 20.5 | 63 | 8.75 | | | | 3.8 | |

安装尺寸图 Installation Dimensions Drawing



安装尺寸表 Installation Dimensions

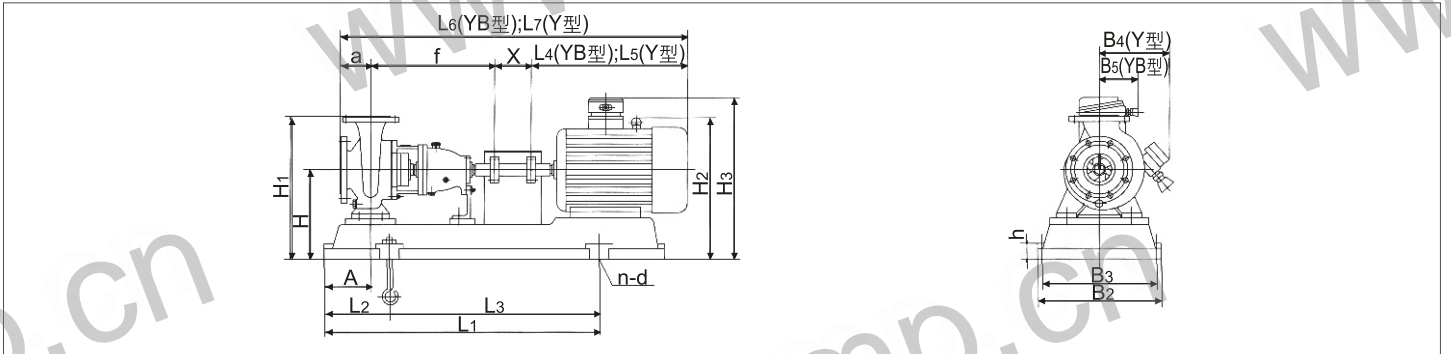
| Type 泵型号 | 配套电机 Matched motor | | 安装尺寸 Installation Dimensions | | | | | | | | | | | | | | | | | | | | | |
|---------------|-----------------------|----------------|------------------------------|----------------|----------------|----------------|----------------|----------------|-----|-----|-----|----------------|----------------|----------------|----------------|----------------|----------------|----------------|----------------|----|-----|----------------|-------|--|
| | 机座号 Motor Seat No. | 功率 Power KW | A | L ₁ | L ₂ | L ₃ | L ₄ | L ₅ | a | f | x | L ₆ | L ₇ | B ₂ | B ₃ | B ₄ | B ₅ | H ₂ | H ₃ | h | H | H ₁ | n-d | |
| IH125-100-315 | Y YB 160M-4 | 11 | | | | | 655 | 600 | | | | 1465 | 1410 | | | | | | | | | | | |
| | Y YB 160L-4 | 15 | | | | | 695 | 645 | | | | 1505 | 1455 | 540 | 490 | 255 | | 595 | 740 | | 370 | 685 | 4-φ24 | |
| | Y YB 180M-4 | 18.5 | | 1420 | | | 730 | 670 | | | | 1540 | 1480 | | | | 240 | | | | | | | |
| | Y YB 180L-4 | 22 | | | 250 | 840 | 750 | 710 | | | | 1560 | 1520 | | | | 285 | 680 | 815 | | 430 | 745 | | |
| | Y YB 200L-4 | 30 | | | | | 805 | 775 | 140 | 530 | 140 | 1615 | 1585 | 610 | 550 | | 310 | 705 | 855 | 40 | | | | |
| | Y YB 225S-4 | 37 | | 1430 | | | 845 | 820 | | | | 1655 | 1630 | | | | 345 | 695 | 835 | | 390 | 705 | 4-φ28 | |
| | Y YB 280S-2 | 75 | | | | | 1010 | 1000 | | | | 1820 | 1810 | | | | | | | | | | | |
| | Y YB 280M-2 | 90 | | 1820 | 320 | 1200 | 1060 | 1050 | | | | 1870 | 1860 | 730 | 670 | 410 | 330 | 810 | 1000 | | 450 | 765 | | |

IH型泵性能参数表、安装尺寸图及安装尺寸表 Performance Parameters Table, Installation Dimensions Drawing and Installation Dimensions Table of IH Pumps

性能参数表 Performance Parameters

| Type 泵型号 | r/min speed 转速 | 流量Q Capacity | | Head (m) 扬程 | Efficiency η% 效率 | 轴功率 Shaft Power | kw 配用功率 Matched power 介质密度 (g/cm³) | | | (NPSH)r (m) 必需汽蚀余量 Necessary(NPSH)r | Pump Weight (kg) 泵重量 |
|----------------|----------------------|--------------|-------|----------------|------------------------|--------------------|--|------|------|--|----------------------------|
| | | m³/h | L/S | | | | 1.0 | 1.35 | 1.85 | | |
| IH125-100-400 | 1450 | 60 | 16.7 | 52 | 48 | 17.7 | 30 | 45 | 55 | 2.5 | 211 |
| | | 100 | 27.8 | 50 | 55 | 24.8 | | | | 2.5 | |
| | | 120 | 33.3 | 48.5 | 62 | 25.5 | | | | 3.0 | |
| IH125-100-400A | 1450 | 56 | 15.6 | 45 | 45 | 14.9 | 30 | 37 | 45 | 2.5 | 211 |
| | | 93 | 25.83 | 43.2 | 52 | 21.04 | | | | 2.5 | |
| | | 112 | 31.11 | 41.9 | 60 | 21.3 | | | | 3.0 | |
| IH125-100-400B | 1450 | 52.8 | 14.67 | 40.1 | 45 | 12.81 | 22 | 30 | 45 | 2.5 | 211 |
| | | 87.8 | 24.39 | 38.5 | 51 | 18.05 | | | | 2.5 | |
| | | 105.5 | 29.31 | 37.4 | 58 | 18.5 | | | | 3.0 | |
| IH125-100-400C | 1450 | 48.9 | 13.6 | 34.5 | 43 | 10.68 | 18.5 | 30 | 37 | 2.5 | 211 |
| | | 81.5 | 22.6 | 33.2 | 50 | 14.74 | | | | 2.5 | |
| | | 97.8 | 27.2 | 32.2 | 56 | 15.3 | | | | 3.0 | |
| IH150-125-250 | 1450 | 120 | 33.3 | 24.8 | 66 | 12.3 | 18.5 | 30 | 37 | 2.5 | 165 |
| | | 200 | 55.6 | 20 | 77 | 14.1 | | | | 2.8 | |
| | | 240 | 66.7 | 15 | 68 | 14.4 | | | | 3.5 | |
| IH150-125-250A | 1450 | 109.1 | 30.31 | 20.5 | 64 | 9.52 | 15 | 18.5 | 30 | 2.5 | 165 |
| | | 182 | 50.56 | 16.5 | 75 | 10.91 | | | | 2.8 | |
| | | 218.2 | 60.61 | 12.5 | 66 | 11.27 | | | | 3.5 | |
| IH150-125-250B | 1450 | 102 | 28.33 | 17.9 | 62 | 8.02 | 11 | 15 | 22 | 2.5 | 165 |
| | | 170 | 47.22 | 14.5 | 73 | 9.2 | | | | 2.8 | |
| | | 204 | 56.67 | 10.8 | 64 | 9.38 | | | | 3.5 | |

安装尺寸图 Installation Dimensions Drawing



安装尺寸表 Installation Dimensions

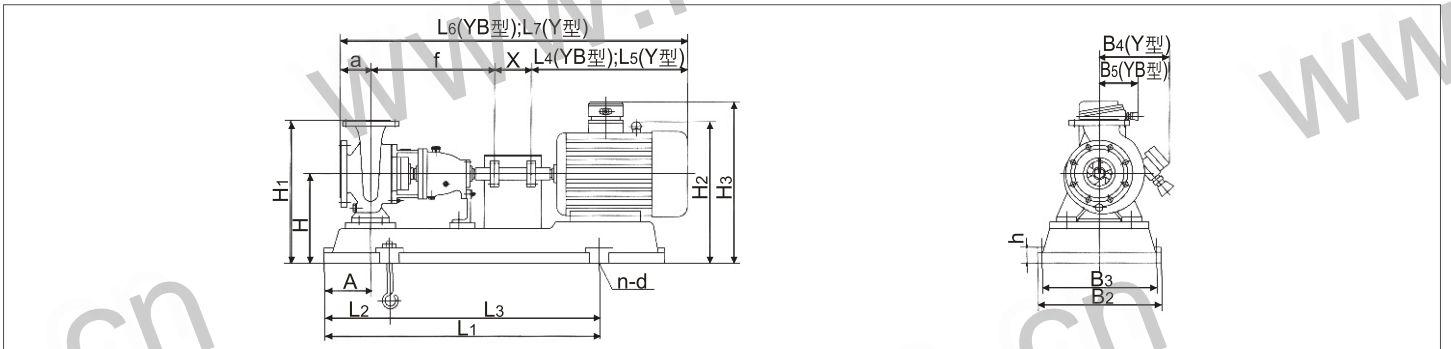
| Type 泵型号 | 配套电机 Matched motor | | 安装尺寸 Installation Dimensions | | | | | | | | | | | | | | | | | | | | | | |
|---------------|-----------------------|----------------|------------------------------|------|------|------|-----|-----|-----|-----|-----|------|------|-----|-----|-----|-----|-----|-----|------|-----|-----|-------|-------|--|
| | 机座号 Motor Seat No. | 功率 Power KW | A | L1 | L2 | L3 | L4 | L5 | a | f | x | L6 | L7 | B2 | B3 | B4 | B5 | H2 | H3 | h | H | H1 | n-d | | |
| IH125-100-400 | Y YB | 160L-4 15 | | | | | 695 | 645 | | | | 1505 | 1455 | | | 255 | | 615 | 760 | | | | | | |
| | Y YB | 180M-4 18.5 | | | | | 730 | 670 | | | | 1540 | 1480 | | | 285 | 240 | 640 | 775 | | 390 | 745 | | | |
| | Y YB | 180L-4 22 | | | | | 750 | 710 | | | | 1560 | 1520 | | | | | | | | | | | | |
| | Y YB | 200L-4 30 | 130 | 1620 | 290 | 1060 | 805 | 775 | 140 | 530 | 140 | 1615 | 1585 | 660 | 600 | 310 | | 665 | 815 | 40 | | | 4-φ28 | | |
| | Y YB | 225S-4 37 | | | | | 845 | 820 | | | | 1655 | 1630 | | | | 290 | 785 | 925 | | | | | | |
| | Y YB | 225M-4 45 | | | | | 870 | 845 | | | | 1680 | 1655 | | | | | | | | 480 | 835 | | | |
| | Y YB | 250M-4 55 | | | | | 935 | 930 | | | | 1745 | 1740 | | | | 385 | 330 | 805 | 1000 | | | | | |
| IH150-125-250 | Y YB | 160M-4 11 | | | | | 655 | 600 | | | | 1465 | 1410 | | | | | 595 | 740 | | 370 | 725 | 4-φ24 | | |
| | Y YB | 160L-4 15 | | | | | 695 | 645 | | | | 1505 | 1455 | | | | | | | | | | | | |
| | Y YB | 180M-4 18.5 | 110 | 1420 | | 250 | 840 | 730 | 670 | | | 1540 | 1480 | | | | | 680 | 815 | 40 | | | | | |
| | Y YB | 180L-4 22 | | | | | 750 | 710 | | | | 1560 | 1520 | | | | | | | | 430 | 785 | | 4-φ28 | |
| | Y YB | 200L-4 30 | | | | | 805 | 775 | | | | 1615 | 1585 | 610 | 550 | 310 | | 705 | 855 | | | | | | |
| | Y YB | 225S-4 37 | | | 1430 | | 845 | 820 | | | | 1655 | 1630 | | | 345 | | 695 | 835 | | 390 | 745 | | | |

IH型泵性能参数表、安装尺寸图及安装尺寸表 Performance Parameters Table, Installation Dimensions Drawing and Installation Dimensions Table of IH Pumps

▶ **性能参数表** Performance Parameters

| Type 泵型号 | r/min 转速 | 流量Q Capacity | | Head (m) 扬程 | Efficiency (%) 效率 | kw 轴功率 Shaft Power | | | (NPSH) _r (m) 必需汽蚀余量 Necessary(NPSH) _r | Pump Weight (kg) 泵重量 | |
|----------------|-------------|-------------------|-------|----------------|----------------------|--------------------------|---------------------|--------------|--|-------------------------|------|
| | | m ³ /h | L/S | | | 轴功率 Shaft Power | 1.0 1.35 1.85 | 1.35 1.85 | | | 1.85 |
| IH150-125-315 | 1450 | 120 | 33.3 | 36.3 | 63 | 18.8 | 30 | 37 | 55 | 2.5 2.8 3.8 | 196 |
| | | 200 | 55.6 | 32 | 75 | 23.2 | | | | | |
| | | 240 | 66.7 | 28.5 | 72 | 25.9 | | | | | |
| IH150-125-315A | 1450 | 109.1 | 30.31 | 30 | 60 | 14.85 | 22 | 30 | 45 | 2.5 2.8 3.8 | 196 |
| | | 182 | 50.56 | 25.5 | 73 | 17.32 | | | | | |
| | | 218.2 | 60.61 | 23.5 | 69 | 20.23 | | | | | |
| IH150-125-315B | 1450 | 102 | 28.33 | 26.2 | 58 | 11.55 | 18.5 | 30 | 37 | 2.5 2.8 3.8 | 196 |
| | | 170 | 47.22 | 23.1 | 71 | 15.06 | | | | | |
| | | 204 | 56.67 | 20.6 | 66 | 17.34 | | | | | |
| IH150-125-400 | 1450 | 120 | 33.3 | 57.5 | 61 | 30.8 | 55 | 75 | 90 | 2.0 2.5 3.0 | 238 |
| | | 200 | 55.6 | 50 | 70 | 38.9 | | | | | |
| | | 240 | 66.7 | 44 | 63 | 45.6 | | | | | |
| IH150-125-400A | 1450 | 109.1 | 30.31 | 47.5 | 58 | 24.33 | 37 | 55 | 75 | 2.0 2.5 3.0 | 238 |
| | | 182 | 50.56 | 41 | 68 | 29.88 | | | | | |
| | | 218.2 | 60.61 | 36.5 | 60 | 36.15 | | | | | |
| IH150-125-400B | 1450 | 102 | 28.33 | 41.5 | 55 | 20.96 | 37 | 45 | 75 | 2.0 2.5 3.0 | 238 |
| | | 170 | 47.22 | 36.1 | 66 | 25.32 | | | | | |
| | | 204 | 56.67 | 31.8 | 58 | 30.46 | | | | | |
| IH150-125-400C | 1450 | 96 | 26.67 | 37 | 53 | 18.25 | 30 | 37 | 55 | 2.0 2.5 3.0 | 238 |
| | | 160 | 44.44 | 32 | 64 | 21.79 | | | | | |
| | | 192 | 53.33 | 28 | 56 | 26.143 | | | | | |

▶ **安装尺寸图** Installation Dimensions Drawing



▶ **安装尺寸表** Installation Dimensions

| Type 泵型号 | 配套电机 Matched motor | | 安装尺寸 Installation Dimensions | | | | | | | | | | | | | | | | | | | | | | | |
|----------------|-----------------------|----------------|------------------------------|------|------|------|------|------|------|-----|-----|------|------|-----|-----|-----|-----|-----|-----|-----|-----|-------|-------|-----|------|-----|
| | 机座号 Motor Seat No. | 功率 Power KW | A | L1 | L2 | L3 | L4 | L5 | a | f | x | L6 | L7 | B2 | B3 | B4 | B5 | H2 | H3 | h | H | H1 | n-d | | | |
| IH150-125-315 | Y YB 180M-4 | 18.5 | 130 | 1620 | 290 | 1060 | 730 | 670 | 140 | 530 | 140 | 1540 | 1480 | 660 | 600 | 285 | 240 | 640 | 775 | 40 | 475 | 875 | 4-φ28 | | | |
| | Y YB 180L-4 | 22 | | | | | 750 | 710 | | | | 1560 | 1520 | | | | | | | | | | | | | |
| | Y YB 200L-4 | 30 | | | | | 805 | 775 | | | | 1615 | 1585 | | | | | | | | | | | 310 | 665 | 815 |
| | Y YB 225S-4 | 37 | | | | | 845 | 820 | | | | 1655 | 1630 | | | | | | | | | | | 290 | 785 | 925 |
| | Y YB 225M-4 | 45 | | | | | 870 | 845 | | | | 1680 | 1655 | | | | | | | | | | | 345 | 785 | 925 |
| Y YB 250M-4 | 55 | 935 | 930 | 1745 | 1740 | 385 | 330 | 805 | 1000 | | | | | | | | | | | | | | | | | |
| IH150-125-400 | Y YB 200L-4 | 30 | 130 | 1620 | 290 | 1060 | 805 | 775 | 140 | 530 | 140 | 1615 | 1585 | 660 | 600 | 310 | 750 | 900 | 40 | 515 | 915 | 4-φ28 | | | | |
| | Y YB 225S-4 | 37 | | | | | 845 | 820 | | | | 1655 | 1630 | | | | | | | | | | 290 | 820 | 960 | |
| | Y YB 225M-4 | 45 | | | | | 870 | 845 | | | | 1680 | 1655 | | | | | | | | | | 345 | 820 | 960 | |
| | Y YB 250M-4 | 55 | | | | | 935 | 930 | | | | 1745 | 1740 | | | | | | | | | | 385 | 840 | 1035 | |
| | Y YB 280S-4 | 75 | | | | | 1010 | 1000 | | | | 1820 | 1810 | | | | | | | | | | 330 | 835 | 1025 | |
| | Y YB 280M-4 | 90 | | | | | 1060 | 1050 | | | | 1870 | 1860 | | | | | | | | | | 730 | 670 | 410 | 835 |

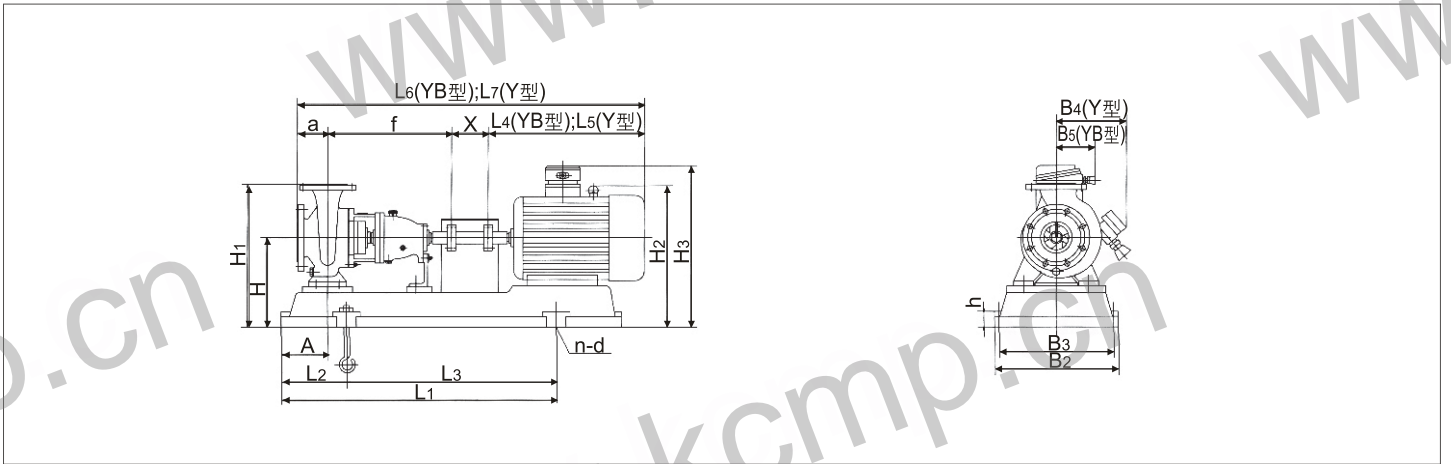
IH型泵性能参数表、安装尺寸图及安装尺寸表

Performance Parameters Table, Installation Dimensions Drawing and Installation Dimensions Table of IH Pumps

▶ **性能参数表** Performance Parameters

| Type 泵型号 | r/min speed 转速 | 流量Q Capacity | | Head (m) 扬程 | Efficiency η % 效率 | kw 轴功率 Shaft Power | | | (NPSH)r (m) 必需汽蚀余量 Necessary(NPSH)r | Pump Weight (kg) 泵重量 |
|----------------|----------------------|-------------------|-------|----------------|---------------------------|---|------|------|---|-------------------------|
| | | m ³ /h | L/S | | | 配用功率 Matched power 介质密度 (g/cm ³) | | | | |
| | | | | | | 1.0 | 1.35 | 1.85 | | |
| IH200-150-250 | 1450 | 240 | 66.7 | 23 | 65 | 23.14 | | | 3.5 | 195 |
| | | 400 | 111.1 | 20 | 77 | 28.3 | 37 | 55 | 4.0 | |
| | | 460 | 127.8 | 18 | 74 | 30.5 | | 75 | 4.5 | |
| IH200-150-250A | 1450 | 218 | 60.56 | 19 | 64 | 17.63 | | | 3.5 | 195 |
| | | 363.5 | 101 | 16.5 | 76 | 21.5 | 30 | 37 | 4.0 | |
| | | 418 | 116.1 | 15 | 73 | 23.4 | | 55 | 4.5 | |
| IH200-150-250B | 1450 | 204 | 56.7 | 16.6 | 62 | 14.87 | | | 3.5 | 195 |
| | | 340 | 94.4 | 14.5 | 74 | 18.14 | 22 | 30 | 4.0 | |
| | | 391 | 108.6 | 13 | 71 | 19.5 | | 45 | 4.5 | |

▶ **安装尺寸图** Installation Dimensions Drawing



▶ **安装尺寸表** Installation Dimensions

| Type 泵型号 | 配套电机 Matched motor | | 安装尺寸 Installation Dimensions | | | | | | | | | | | | | | | | | | | | | | |
|---------------|-----------------------|----------------|------------------------------|------|-----|------|------|------|-----|-----|-----|------|------|-----|-----|-----|-----|-----|-----|------|---|-----|-----|-------|--|
| | 机座号 Motor Seat No. | 功率 Power KW | A | L1 | L2 | L3 | L4 | L5 | a | f | x | L6 | L7 | B2 | B3 | B4 | B5 | H2 | H3 | h | H | H1 | n-d | | |
| IH200-150-250 | Y YB 180L-4 | 22 | | | | | 750 | 710 | | | | 1620 | 1580 | | | 285 | 240 | 640 | 775 | | | | | | |
| | Y YB 200L-4 | 30 | | | | | 805 | 775 | | | | 1675 | 1645 | | | 310 | | 665 | 815 | | | 390 | 765 | | |
| | Y YB 225S-4 | 37 | | | | | 845 | 820 | | | | 1715 | 1690 | | | | | | | | | | | | |
| | Y YB 225M-4 | 45 | | 1620 | 290 | 1060 | | | 160 | 530 | 180 | | | 660 | 600 | 345 | 290 | 785 | 925 | 40 | | | | 4-φ28 | |
| | Y YB 250M-4 | 55 | | | | | 870 | 845 | | | | 1740 | 1715 | | | | | | | | | | 480 | 855 | |
| | Y YB 280S-4 | 75 | | 1820 | 320 | 1200 | 1010 | 1000 | | | | 1880 | 1870 | 730 | 670 | 410 | 330 | | 840 | 1030 | | | | | |

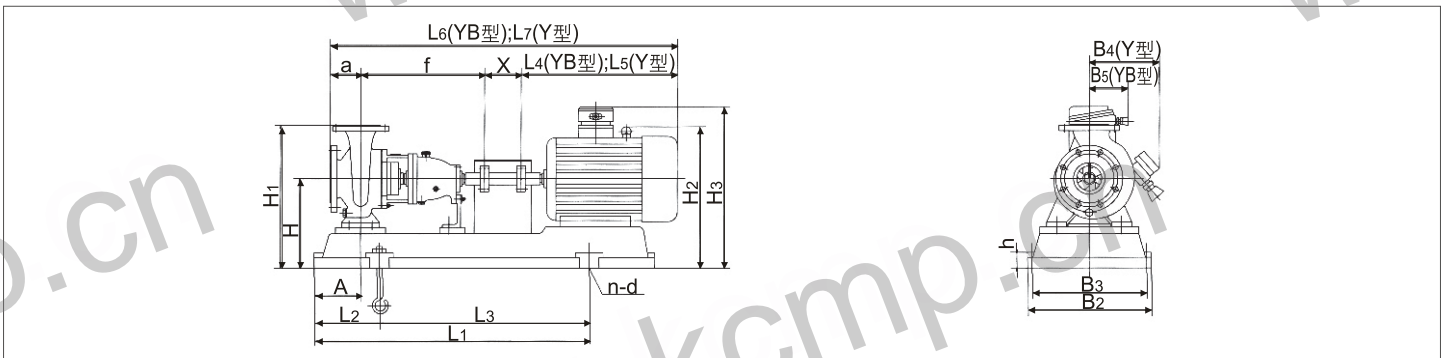
IH型泵性能参数表、安装尺寸图及安装尺寸表

Performance Parameters Table, Installation Dimensions Drawing and Installation Dimensions Table of IH Pumps

▶ **性能参数表** Performance Parameters

| Type 泵型号 | r/min Speed 转速 | 流量Q Capacity | | Head (m) 扬程 | Efficiency η% 效率 | kw 轴功率 Shaft Power | | | (NPSH)r (m) 必需汽蚀余量 Necessary(NPSH)r | Pump Weight (kg) 泵重量 | |
|----------------|----------------------|--------------|-------|-------------------|------------------------|------------------------------------|-----|------|--|----------------------------|-----|
| | | m³/h | L/S | | | 配用功率 Matched power 介质密度 (g/cm³) | | | | | |
| | | | | | | | 1.0 | 1.35 | 1.85 | | |
| IH200-150-315 | 1450 | 240 | 66.7 | 35.6 | 67 | 34.7 | 55 | 75 | 110 | 3.0 | 269 |
| | | 400 | 111 | 32 | 79 | 44.1 | | | | 3.5 | |
| | | 460 | 127.8 | 29.4 | 77 | 47.8 | | | | 4.0 | |
| IH200-150-315A | 1450 | 218 | 60.56 | 29.4 | 64 | 29.7 | 45 | 55 | 75 | 3.0 | 269 |
| | | 363.5 | 101 | 25.5 | 77 | 32.7 | | | | 3.5 | |
| | | 418 | 116.1 | 24.3 | 74 | 37.4 | | | | 4.0 | |
| IH200-150-315B | 1450 | 204 | 56.7 | 25.7 | 61 | 23.41 | 37 | 55 | 75 | 3.0 | 269 |
| | | 340 | 94.4 | 23.1 | 74 | 28.9 | | | | 3.5 | |
| | | 391 | 108.6 | 21.2 | 71 | 31.79 | | | | 4.0 | |
| IH200-150-400 | 1450 | 240 | 66.7 | 55.8 | 67 | 54.4 | 90 | 132 | 160 | 3.0 | 290 |
| | | 400 | 111 | 50 | 78 | 69.8 | | | | 3.5 | |
| | | 460 | 127.8 | 47 | 75 | 78.5 | | | | 4.0 | |
| IH200-150-400A | 1450 | 218 | 60.56 | 46 | 64 | 42.7 | 75 | 90 | 132 | 3.0 | 290 |
| | | 363.5 | 101 | 41 | 76 | 53.3 | | | | 3.5 | |
| | | 418 | 116.1 | 38.8 | 72 | 61.3 | | | | 4.0 | |
| IH200-150-400B | 1450 | 204 | 56.7 | 40.3 | 61 | 36.7 | 55 | 75 | 110 | 3.0 | 290 |
| | | 340 | 94.4 | 36.1 | 74 | 45.17 | | | | 3.5 | |
| | | 391 | 34 | 34 | 69 | 52.47 | | | | 4.0 | |
| IH200-150-400C | 1450 | 192 | 53.3 | 35.7 | 59 | 31.64 | 55 | 75 | 90 | 3.0 | 290 |
| | | 320 | 88.9 | 32 | 72 | 38.73 | | | | 3.5 | |
| | | 368 | 102.2 | 30.1 | 67 | 45.02 | | | | 4.0 | |

▶ **安装尺寸图** Installation Dimensions Drawing

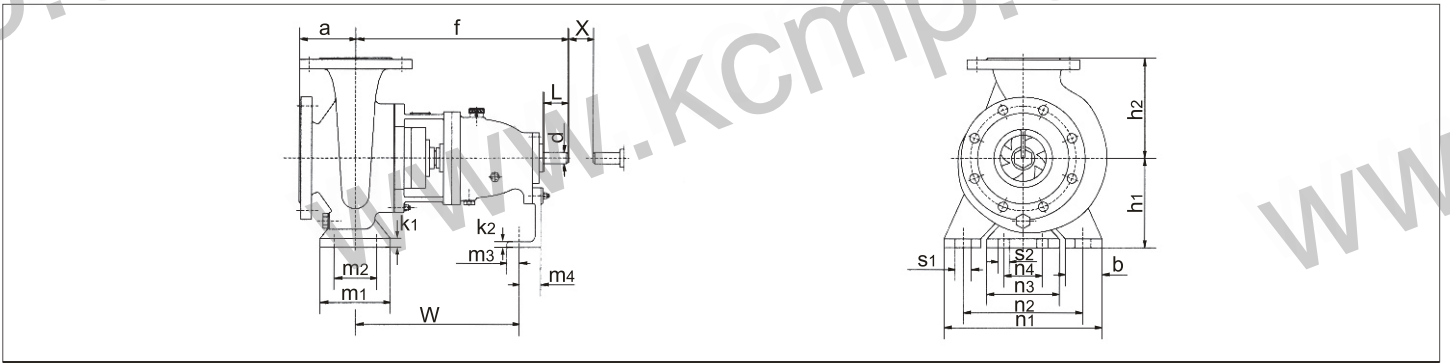


▶ **安装尺寸表** Installation Dimensions

| Type 泵型号 | 配套电机 Matched motor | | 安装尺寸 Installation Dimensions | | | | | | | | | | | | | | | | | | | | | |
|---------------|-----------------------|----------------|------------------------------|------|-----|------|------|------|-----|-----|-----|------|------|-----|-----|-----|----|-----|------|----|-----|-----|-------|--|
| | 机座号 Motor Seat No. | 功率 Power KW | A | L1 | L2 | L3 | L4 | L5 | a | f | x | L6 | L7 | B2 | B3 | B4 | B5 | H2 | H3 | h | H | H1 | n-d | |
| IH200-150-315 | YB 200L-4 | 30 | | | | | 805 | 775 | | | | 1815 | 1785 | | | 310 | | 750 | 900 | | | | | |
| | YB 225S-4 | 37 | | | | | 845 | 820 | | | | 1855 | 1830 | | | 290 | | 780 | 920 | | | | | |
| | YB 225M-4 | 45 | | | | | 870 | 845 | | | | 1880 | 1855 | | | 345 | | 800 | 995 | 40 | 475 | 875 | 4-φ28 | |
| | YB 250M-4 | 55 | 130 | 1820 | 320 | 1200 | 935 | 930 | 160 | 670 | 180 | 1945 | 1940 | 730 | 670 | 385 | | 835 | 1025 | | | | | |
| | YB 280S-4 | 75 | | | | | 1010 | 1000 | | | | 2020 | 2010 | | | 330 | | 835 | 1025 | | | | | |
| | YB 280M-4 | 90 | | | | | 1060 | 1050 | | | | 2070 | 2060 | | | 410 | | 835 | 1025 | | | | | |
| IH200-150-400 | YB 250M-4 | 55 | | | | | 935 | 930 | | | | 1945 | 1940 | | | 385 | | 800 | 995 | | | | | |
| | YB 280S-4 | 75 | 130 | 1820 | 320 | 1200 | 1010 | 1000 | 160 | 670 | 180 | 2020 | 2010 | 730 | 670 | 330 | | 835 | 1025 | 40 | 475 | 925 | 4-φ28 | |
| | YB 280M-4 | 90 | | | | | 1060 | 1050 | | | | 2070 | 2060 | | | 410 | | 835 | 1025 | | | | | |

IH型泵外形尺寸图及尺寸表 Outline Dimensions Drawing and Dimensions Table of IH Pumps

外形尺寸图 Outline Dimensions Drawing

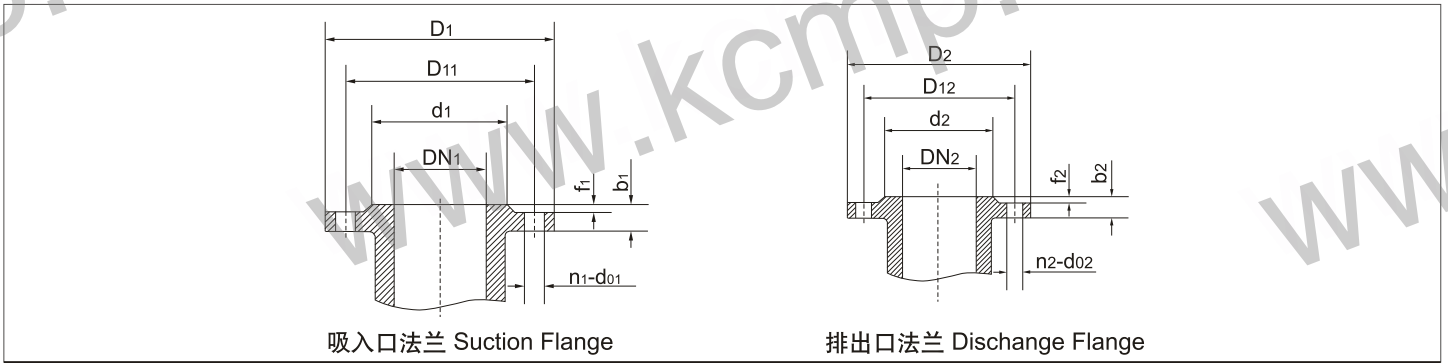


外形尺寸表 Outline Dimensions

| Type 泵型号 | 泵 Pump | | | | 泵座 Pump Base | | | | | | | | | | W | 螺栓孔 Bolt Hole | | 轴端 Shaft Face | | 间隔 Space X | |
|---------------|--------|-----|----------------|----------------|--------------|----------------|----------------|----------------|----------------|----------------|----------------|----------------|----------------|----------------|----|------------------|----------------|------------------|----|------------------|-----|
| | a | f | h ₁ | h ₂ | b | m ₁ | m ₂ | m ₃ | m ₄ | n ₁ | n ₂ | n ₃ | n ₄ | k ₁ | | k ₂ | s ₁ | s ₂ | d | | L |
| IH50-32-125 | | | 112 | 140 | | | | | | 190 | 140 | | | | | | | | | | |
| IH50-32-160 | 80 | 385 | 132 | 160 | 50 | 100 | 70 | 25 | 60 | 240 | 190 | 145 | 110 | 12 | 10 | 285 | φ 14 | φ 14 | 24 | 50 | 100 |
| IH50-32-200 | | | 160 | 180 | | | | | | | | | | | | | | | | | |
| IH50-32-250 | 100 | 500 | 180 | 225 | 65 | 125 | 95 | 26 | 65 | 320 | 250 | | | 16 | 14 | 370 | | | 32 | 80 | |
| IH65-50-125 | 80 | | 112 | 140 | | | | | | 210 | 160 | | | | | | | | | | |
| IH65-50-160 | | 385 | 132 | 160 | 50 | 100 | 70 | 25 | 60 | 240 | 190 | | | 12 | 10 | 285 | | | 24 | 50 | |
| IH65-40-200 | 100 | | 160 | 180 | | | | | | 265 | 212 | 145 | 110 | | | | φ 14 | φ 14 | | | 100 |
| IH65-40-250 | | 500 | 180 | 225 | 65 | 125 | 95 | 26 | 65 | 320 | 250 | | | 16 | 14 | 370 | | | 32 | 80 | |
| IH65-40-315 | 125 | | 200 | 250 | | | | | | 345 | 280 | | | | | | | | | | |
| IH80-65-125 | | | 132 | 160 | | | | | | 240 | 190 | | | | | | | | | | |
| IH80-65-160 | 100 | 385 | 160 | 180 | 50 | 100 | 70 | 25 | 60 | 265 | 212 | | | 12 | 10 | 285 | | | 24 | 50 | |
| IH80-50-200 | | | 200 | 200 | | | | | | | | 145 | 110 | | | | φ 14 | φ 14 | | | 100 |
| IH80-50-250 | 125 | 500 | 180 | 225 | 65 | 125 | 95 | 26 | 65 | 320 | 250 | | | 16 | 14 | 370 | | | 32 | 80 | |
| IH80-50-315 | | | 225 | 280 | | | | | | 345 | 280 | | | | | | | | | | |
| IH100-80-125 | | 385 | 160 | 180 | | | | | | 280 | 212 | | | 12 | 10 | 285 | | | 24 | 50 | |
| IH100-80-160 | 100 | | 200 | 200 | 65 | 125 | 95 | | 25 | 60 | 280 | 212 | | | | | φ 14 | | | | 100 |
| IH100-65-200 | | 500 | 180 | 225 | | | | | | 320 | 250 | 145 | 110 | 16 | | 370 | | φ 14 | 32 | 80 | |
| IH100-65-250 | | | 200 | 250 | | | | | | 360 | 280 | | | | 14 | | | | | | 140 |
| IH100-65-315 | 125 | 530 | 225 | 280 | 80 | 160 | 120 | | | 400 | 315 | | | | | | φ 18 | | 42 | 110 | |
| IH125-100-200 | 125 | 500 | 200 | 280 | | | | | | 360 | 280 | | | 16 | | | | | 32 | 80 | |
| IH125-100-250 | | | 225 | 280 | 80 | 160 | 120 | | | | | | | | | | φ 18 | | | | |
| IH125-100-315 | 140 | 530 | 250 | 315 | | | | 26 | 65 | 400 | 315 | 145 | 110 | 20 | 14 | 370 | φ 14 | | 42 | 110 | 140 |
| IH125-100-400 | | | 280 | 355 | 100 | 200 | 150 | | | 500 | 400 | | | | | | φ 22 | | | | |
| IH150-125-250 | | | 250 | 355 | 80 | 160 | 120 | | | 400 | 315 | | | | | | φ 18 | | | | |
| IH150-125-315 | 140 | 530 | 280 | 355 | | | | 26 | 65 | | | 145 | 110 | 20 | 14 | 370 | | φ 14 | 42 | 110 | 140 |
| IH150-125-400 | | | 315 | 400 | 100 | 200 | 150 | | | 500 | 400 | | | | | | φ 22 | | | | |
| IH200-150-250 | | 530 | 280 | 375 | | | | | 65 | 500 | 400 | 145 | 110 | | 14 | 370 | | φ 14 | 42 | | |
| IH200-150-315 | 160 | | 400 | 400 | 100 | 200 | 150 | 26 | | | | | | 20 | | | | | | 110 | 180 |
| IH200-150-400 | | 670 | 315 | 450 | | | | | 80 | 550 | 450 | 200 | 140 | | 30 | 500 | φ 22 | φ 18 | 48 | | |

IH型泵进出口法兰示意图及尺寸表 Inlet & Outlet Flange Sketch Map and Dimensions Table of IH Pumps

▶ **进出口法兰示意图** Inlet & Outlet Flange Sketch Map



▶ **法兰尺寸表** Flange Dimensions

| Type 泵型号 | 吸入口法兰尺寸 Suction Flange Dimensions | | | | | | | 排出口法兰尺寸 Discharge Flange Dimensions | | | | | | |
|---------------|-----------------------------------|----------------|-----------------|----------------|----------------|----------------|---------------------------------|-------------------------------------|----------------|-----------------|----------------|----------------|----------------|---------------------------------|
| | DN ₁ | D ₁ | D ₁₁ | d ₁ | b ₁ | f ₁ | n ₁ -d ₀₁ | DN ₂ | D ₂ | D ₁₂ | d ₂ | b ₂ | f ₂ | n ₂ -d ₀₂ |
| IH50-32-125 | 50 | 165 | 125 | 99 | 20 | 3 | 4-φ17.5 | 32 | 140 | 100 | 76 | 18 | 3 | 4-φ17.5 |
| IH50-32-160 | | | | | | | | | | | | | | |
| IH50-32-200 | | | | | | | | | | | | | | |
| IH50-32-250 | | | | | | | | | | | | | | |
| IH65-50-125 | 65 | 185 | 145 | 118 | 20 | 3 | 4-φ17.5 | 50 | 165 | 125 | 99 | 20 | 3 | 4-φ17.5 |
| IH65-50-160 | | | | | | | | | | | | | | |
| IH65-40-200 | | | | | | | | | | | | | | |
| IH65-40-250 | | | | | | | | | | | | | | |
| IH65-40-315 | 80 | 200 | 160 | 132 | 20 | 3 | 8-φ17.5 | 65 | 185 | 145 | 118 | 20 | 3 | 4-φ17.5 |
| IH80-65-125 | | | | | | | | | | | | | | |
| IH80-65-160 | | | | | | | | | | | | | | |
| IH80-50-200 | | | | | | | | | | | | | | |
| IH80-50-250 | 100 | 220 | 180 | 156 | 22 | 3 | 8-φ17.5 | 50 | 165 | 125 | 99 | 20 | 3 | 4-φ17.5 |
| IH80-50-315 | | | | | | | | | | | | | | |
| IH100-80-125 | | | | | | | | | | | | | | |
| IH100-80-160 | | | | | | | | | | | | | | |
| IH100-65-200 | 150 | 285 | 240 | 211 | 24 | 3 | 8-φ22 | 80 | 200 | 160 | 132 | 20 | 3 | 8-φ17.5 |
| IH100-65-250 | | | | | | | | | | | | | | |
| IH100-65-315 | | | | | | | | | | | | | | |
| IH125-100-125 | | | | | | | | | | | | | | |
| IH125-100-200 | 200 | 340 | 295 | 266 | 24 | 3 | 12-φ22 | 100 | 220 | 180 | 156 | 22 | 3 | 8-φ17.5 |
| IH125-100-250 | | | | | | | | | | | | | | |
| IH125-100-315 | | | | | | | | | | | | | | |
| IH125-100-400 | | | | | | | | | | | | | | |
| IH150-125-250 | 200 | 340 | 295 | 266 | 24 | 3 | 12-φ22 | 125 | 250 | 210 | 184 | 22 | 3 | 8-φ17.5 |
| IH150-125-315 | | | | | | | | | | | | | | |
| IH150-125-400 | | | | | | | | | | | | | | |
| IH200-150-250 | | | | | | | | | | | | | | |
| IH200-150-315 | 200 | 340 | 295 | 266 | 24 | 3 | 12-φ22 | 150 | 285 | 240 | 211 | 24 | 3 | 8-φ22 |
| IH200-150-400 | | | | | | | | | | | | | | |



上海凯程制泵有限公司

SHANGHAI KAICHENG PUMP CO.,LTD

地址：上海市陕西北路1438号

邮编：200060

电话：021-62989587 62989687

021-56701122 52527372

0086-21-62989871

传真：021-62989790

国内贸易邮箱：kcmp@kcmp.cn

国际贸易邮箱：Sell@kcmp.cn

公司邮箱：kaicheng@sh163.net

公司网址：<http://www.kcmp.cn>

免费咨询电话：8008207382

Add: No.1438 Shanxi North Road.ShangHai.

Zip: 200060

Tel: 021-62989587 62989687

021-56701122 52527372

0086-21-62989871

Fax: 021-62989790

Domestic Trade: kcmp@kcmp.cn

International Trade: Sell@kcmp.cn

E-mail: kaicheng@sh163.net

Web: www.kcmp.cn