

用心服务 · 品质卓越




S型单级双吸离心泵 S SINGLE STAGE DOUBLE ENTRY CENTRIFUGAL PUMPS

产品说明书 Product specification

S型单级双吸清水离心泵产品简介 Brief Introduction of S Single Stage Double Entry Clean Water Centrifugal Pumps

▶ S型单级双吸清水离心泵 S Single Stage Double Entry Clean Water Centrifugal Pumps

▶ 型号意义 Designation



300 S 90 A — I

- I 过流部件材料代号
Codes for the Materials of Flow Components
- A 车小叶轮外径相应改变泵型
Lessen the outside diameter of impeller and change the pump model.
- 90 扬程90m
Head 90m
- S 单级双吸离心泵
Single Stage Double Entry Centrifugal Pump
- 300 吸入口直径300mm
Suction Diameter

▶ 概述 Overview

S型单级双吸离心泵是新型节能卧式中开泵，供输送清水或物理化学性质类似于水的其他液体，根据用户需求，通过改变泵结构及材质可用于输送多泥砂水或各类腐蚀性液体，该系列泵适用于工厂、矿山、城市给排水、电站、农田排灌及各种水利工程。

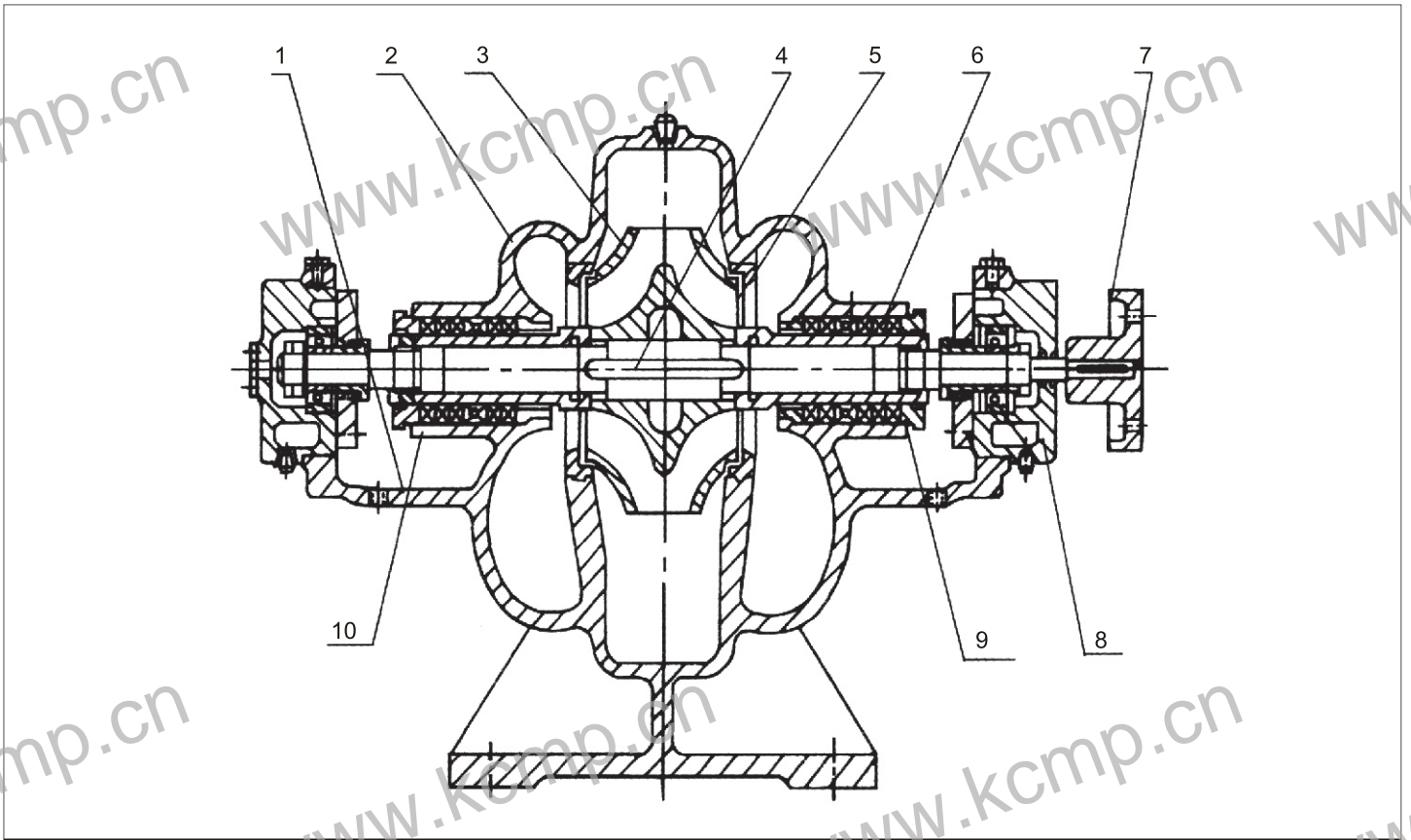
S-type single stage double entry centrifugal pumps are late-model energy-saving horizontally split pumps used to handle clean water or other liquids similar to water in physical and chemical properties. In case of needed, they may be used to handle muddy sand or various corrosive liquids by changing their structure and materials. This series of pumps are applicable for factories, mines, city water supply and drainage, power stations, agricultural irrigation and water conservancy.

▶ 结构说明 Structural Specification

- 本型泵的吸入口与吐出口均在水泵轴心线的下方，与轴线垂直成水平方向。检修时无需拆卸进出口水管及电机。从传动方向看去，水泵为顺时针方向旋转（根据用户需要亦可改为逆时针方向旋转）。
- 泵主要零件有：泵体、泵盖、叶轮、轴、双吸密封环、轴套等。
- 泵体与泵盖构成叶轮的工作室。在进出水法兰上，制有安装真空表和压力表的管螺孔。进出水法兰的下部，制有放水的管螺孔。
- 经过静平衡校验的叶轮，用轴套和两边的轴套螺母固定在轴上，其轴向位置可通过轴套螺母进行调整。
- 泵轴由两个单列向心球轴承支承。轴承装在轴承体内、安装在泵体两端，用黄油润滑。
- 双吸密封环用以减少水泵压力室的水漏回吸水室。
- 泵通过弹性联轴器由电动机直接传动，必要时亦可用内燃机传动。
- 轴封为软填料密封（根据用户需要可采用机械密封结构）。
- Both the suction nozzle and discharge nozzle of this type of pump are below the axial lead of the pump, vertical to the axial lead to form up a horizontal direction. For check and repair, it is not needed to dismantle the inlet and outlet pipes and motor. Viewed from the driving direction, pump makes clockwise rotation. (If requested, it may be changed to counterclockwise).
- Main parts of pump: body, cover, impeller, shaft, double entry sealing ring and sleeve etc.
- Body and cover form up the workroom of impeller. On inlet and outlet flange there are boltholes to mount vacuum gauge and pressure gauge.
- Below the inlet and outlet flange there is a bolthole to drain.
- Impeller with static balance is fixed onto the shaft by the sleeve and the sleeve nuts on the two sides. Its axial position may be adjusted through sleeve nut.
- Pump shaft is supported by two single-row radial ball bearings. The bearings are placed inside the bearing body, mounted at the two ends of the pump, and lubricated by grease.
- Double entry sealing ring is used to reduce the water leakage from pump pressure chamber back to the suction chamber.
- Pump is directly driven by th emotor through resilient coupling, and if necessary, it can be driven by an internal combustion engine.
- Shaft seal is soft packing seal (or mechanical seal structure if requested by users).

S型泵结构图 Structural Drawing of S Pumps

结构图 Structural Drawing



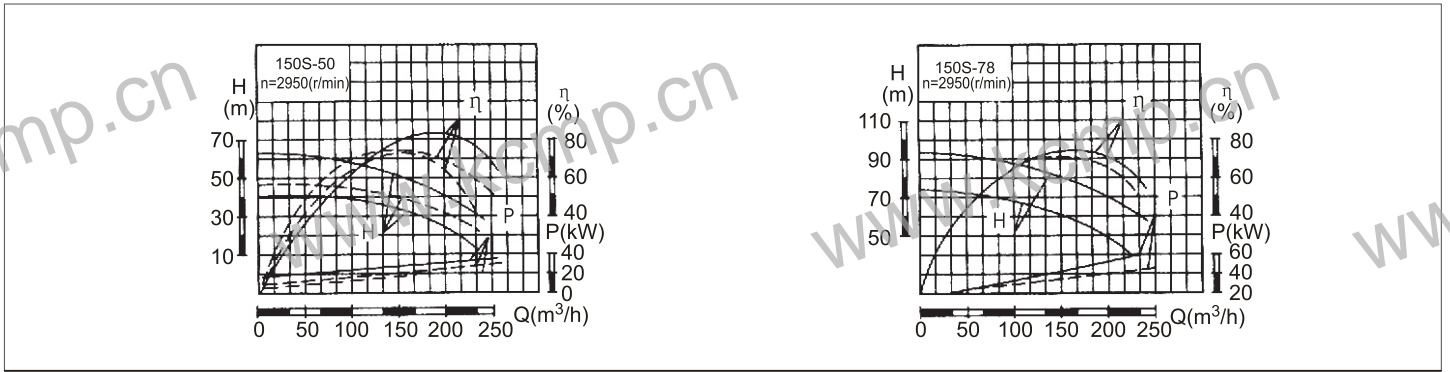
序号 No.	名称 Name	序号 No.	名称 Name
1	泵体 Body	6	轴套 Sleeve
2	泵盖 Pump Cover	7	联轴器 Coupling
3	叶轮 Impeller	8	轴承体 Bearing Body
4	轴 Bearing	9	填料压盖 Packing Gland
5	双吸密封环 Double Entry Sealing Ring	10	填料 Pack

过流部件主要材料代号表 Codes for the Main Materials of Flow Components

材料代号 Material Code	材料牌号 Material Nameplate
I	MT-4
II	1Cr18Ni9Ti
III	1Cr18Ni12Mo2Ti
未注 Nil	HT200

S型泵性能曲线图、性能参数表及安装尺寸图表 Performance Curve, Performance Parameters Table and Installation Dimensions Drawing、Table of S Pumps

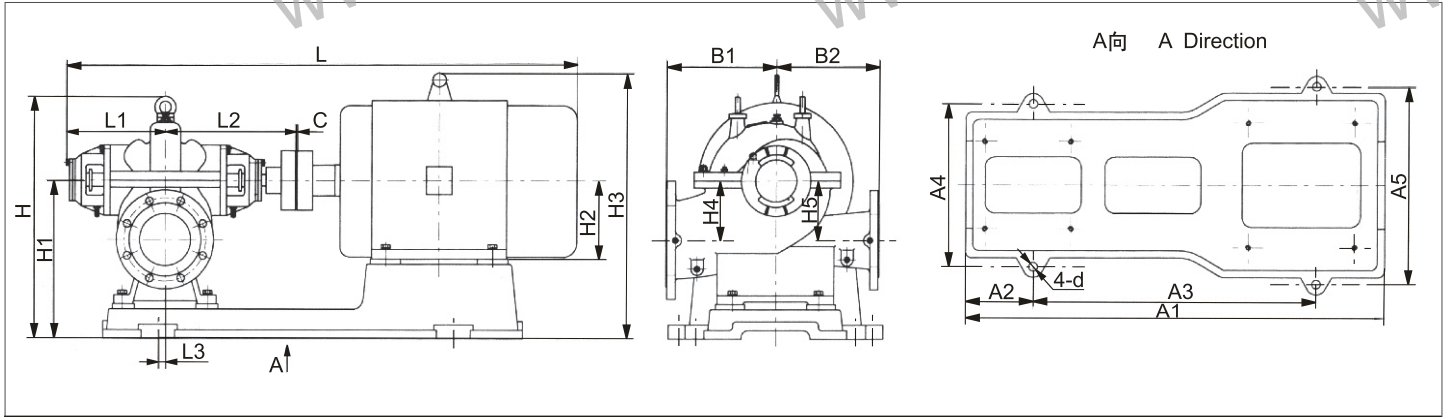
▶ **性能曲线图** Performance Curve



▶ **性能参数表** Performance Parameters

Type 泵型号	Q (m³/h) 容量 流量	Head (m) 扬程	Efficiency (%) 效率	Power kW 轴功率 Shaft Power / 电机功率 Motor Power	Speed (r/min) 转速	Weight (kg) 泵重量	(NPSH)r (m) 汽蚀余量
150S-50	130 160 220	52 50 40	73 80.4 77	25.2 27.3 31.1	2950	220	3.9
150S-50A	112 144 180	44 40 35	72 75.5 70	18.6 20.0 24.5			
150S-50B	108 133 160	38 36 32	65 72.5 72	17.2 18.0 19.4			
150S-78	126 160 198	82 78 70	70 75.5 72	40 45 52	2950	240	3.7
150S-78A	112 144 180	67 62 55	68 72.6 70	30.1 33.4 38.5			

▶ **安装尺寸图** Installation Dimensions Drawing



▶ **安装尺寸表** Installation Dimensions

Type 泵型号	Power kW 型号 Type / 功率 (kW) / 电压 (V)	外形尺寸 Outline Dimensions												C	底座尺寸 Base Dimensions					
L	L1	L2	L3	H	H1	H2	H3	H4	H5	B1	B2	A1	A2		A3	A4	A5	d		
150S-50	Y200L2-2 / 37	1410					200	730												
150S-50A	Y200L1-2 / 30		270	359	13	617	385			140	140	300	250	1180	173	800	430	500	φ25	
150S-50B	Y180M-2 / 22	380	1340				180	660						4						
150S-78	Y250M-2 / 55		1590				250	750							1305		875		585	φ25
150S-78A	Y225M-2 / 45		1480	282	372	10	635	385		140	155	300	250		1210	173	820	430	540	φ25

S型泵性能曲线图、性能参数表及安装尺寸图表

Performance Curve, Performance Parameters Table and Installation Dimensions Drawing, Table of S Pumps

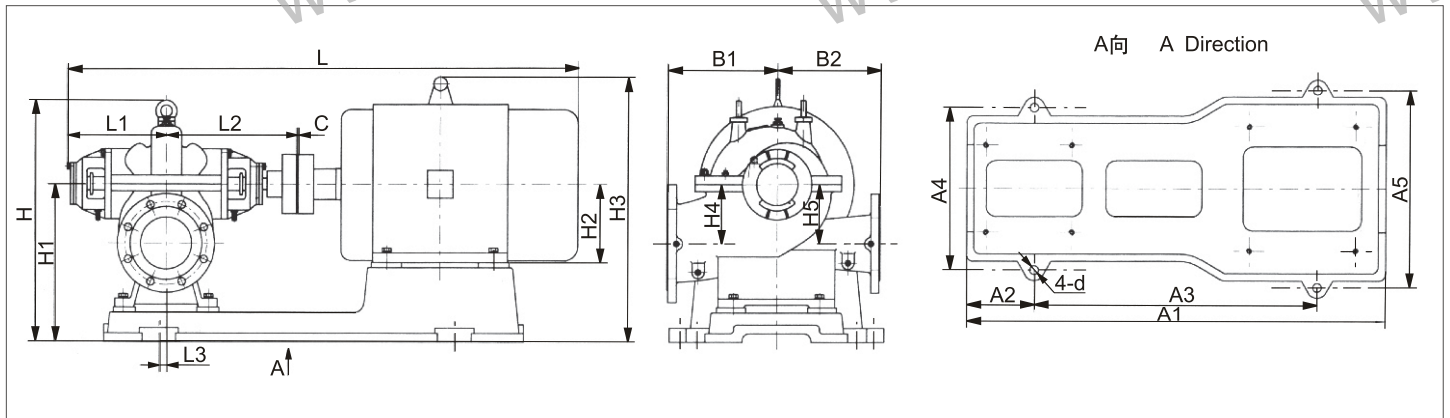
▶ **性能曲线图** Performance Curve



▶ **性能参数表** Performance Parameters

Type 泵型号	Q (m³/h) 流量	Head (m) 扬程	Efficiency (%) 效率	Power kW		r/min 转速	Weight (kg) 泵重量	(NPSH)r (m) 汽蚀余量
				轴功率 Shaft Power	电机功率 Motor Power			
200S-42	216	48	81	34.8	45	2950	340	6
	280	42	84.2	38.1				
	324	35	81	40.2				
200S-42A	198	43	76	30.5	37	2950	340	6
	270	36	80	33.1				
	310	31	76	34.4				
200S-63	216	69	74	54.8	75	2950	320	5.8
	280	63	82.7	58.3				
	351	53	76	66.7				
200S-63A	180	54	70	37.8	55	2950	320	5.8
	270	46	75	45.1				
	324	37	70	46.6				

▶ **安装尺寸图** Installation Dimensions Drawing



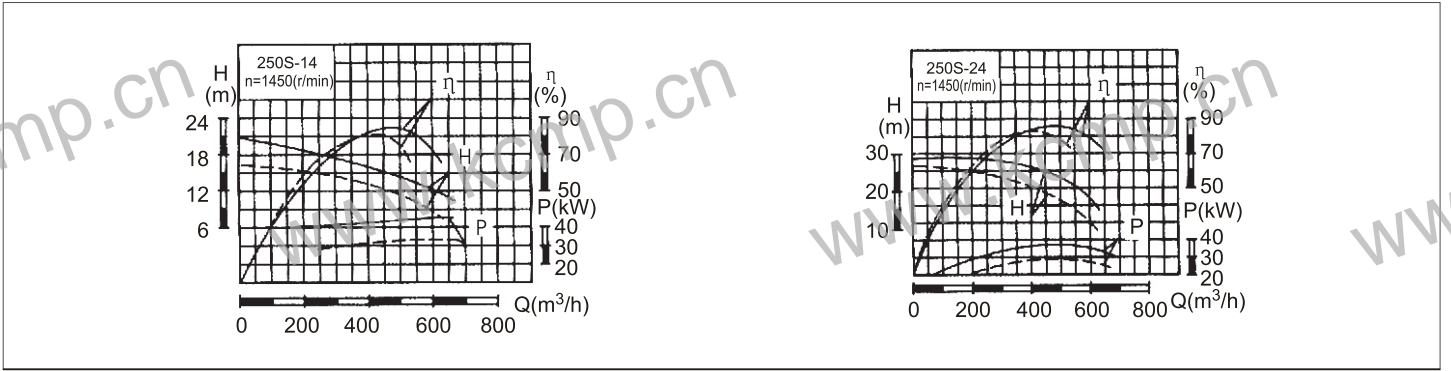
▶ **安装尺寸表** Installation Dimensions

Type 泵型号	Power kW			外形尺寸 Outline Dimensions												C	底座尺寸 Base Dimensions					
	型号 Type	功率 (kW)	电压 (V)	L	L1	L2	L3	H	H1	H2	H3	H4	H5	B1	B2		A1	A2	A3	A4	A5	d
200S-42	Y225M-2	45	380	1500					225	790						1225		827				
200S-42A	Y200L ₂ -2	37		292	381	-15	697	455			170	170	320	300			198		465	564	φ25	
				1450							200	760						1200		808		
200S-63	Y280S-2	75		1700						280	855						1400		930		655	
200S-63A	Y250M-2	55	305	394	10	697	455			170	170	320	300			173		430		φ25		
			1640							250	760						1335		900		600	

S型泵性能曲线图、性能参数表及安装尺寸图表

Performance Curve, Performance Parameters Table and Installation Dimensions Drawing, Table of S Pumps

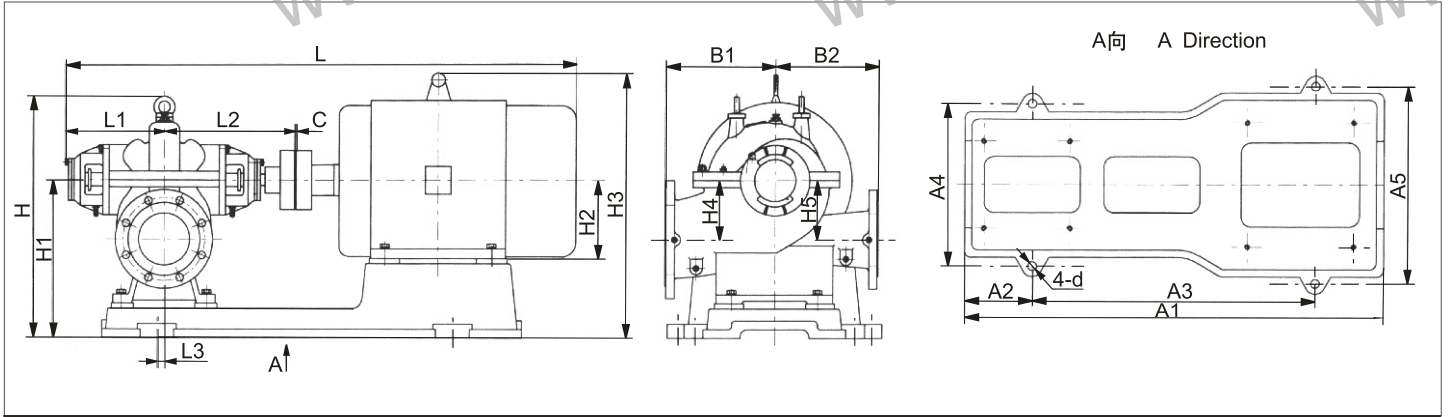
▶ **性能曲线图** Performance Curve



▶ **性能参数表** Performance Parameters

Type	Q (m³/h) Capacity	Head (m) 扬程	η (%) Efficiency	Power kW		r/min speed	Weight (kg) 泵重量	(NPSH)r (m) 汽蚀余量
泵型号	流量	扬程	效率	轴功率 Shaft Power	电机功率 Motor Power	转速	泵重量	汽蚀余量
250S-14	360 485 576	16 14 11	80 85.8 78	19.6 21.5 22.1	30	1450	490	3.8
250S-14A	320 432 504	13 11 8	78 82.7 70	14.5 15.2 15.7	18.5			
250S-24	360 485 576	27 24 19	80 85.8 82	33.1 36.9 36.4	45	1450	530	3.5
250S-24A	324 414 482	22 20 17	80 83.3 80	25.6 27.2 27.9	37			

▶ **安装尺寸图** Installation Dimensions Drawing

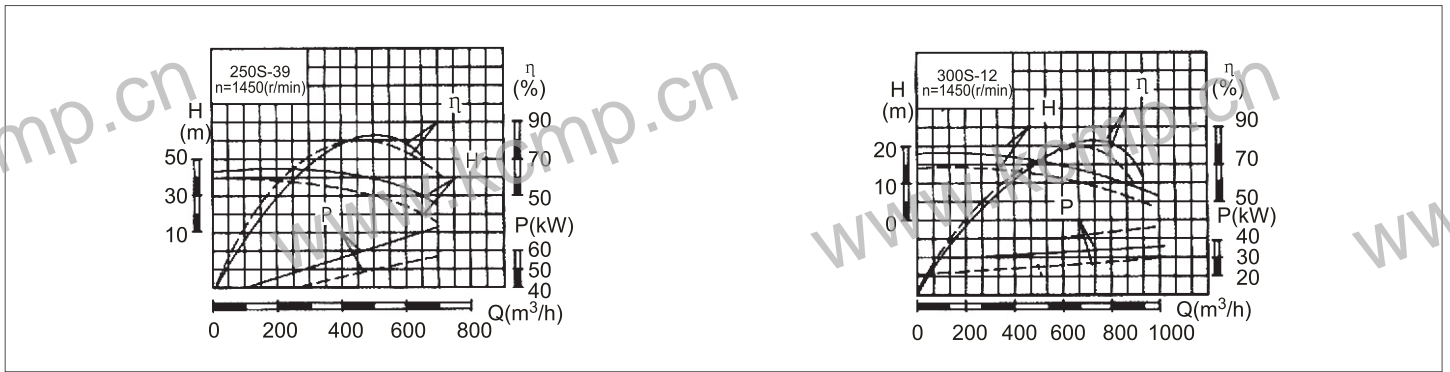


▶ **安装尺寸表** Installation Dimensions

Type	Power kW			外形尺寸 Outline Dimensions											C	底座尺寸 Base Dimensions							
泵型号	型号 Type	功率 (kW)	电压 (V)	L	L1	L2	L3	H	H1	H2	H3	H4	H5	B1		B2	A1	A2	A3	A4	A5	d	
250S-14	Y200L-4	30	380	1630						200	915					1360		880		560	φ25		
				380	469	-1	850	570			180	845			210	215	415	330		241		840	625
250S-14A	Y180M-4	18.5		1560													1285						
				395	486	-1	902	570			225	900	230	230	450	400	1430	241	950	625	625	φ25	
250S-24	Y225M-4	45		1730																			
250S-24A	Y225S-4	37		1700																			

S型泵性能曲线图、性能参数表及安装尺寸图表 Performance Curve, Performance Parameters Table and Installation Dimensions Drawing, Table of S Pumps

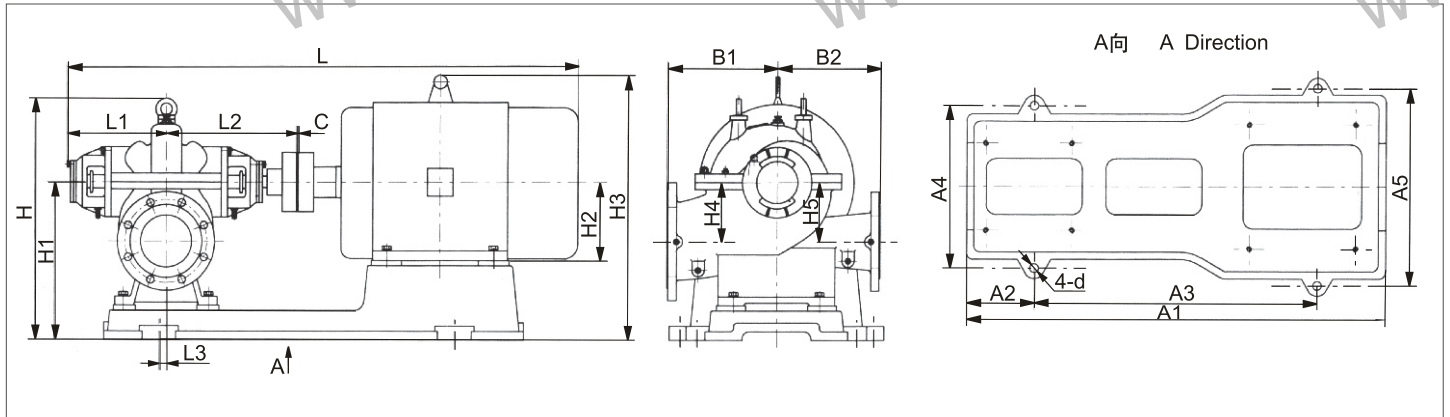
▶ **性能曲线图** Performance Curve



▶ **性能参数表** Performance Parameters

Type	Capacity Q (m³/h)	Head (m)	Efficiency (%)	Power kW		Speed (r/min)	Weight (kg)	(NPSH)r (m)
泵型号	流量	扬程	效率	轴功率 Shaft Power	电机功率 Motor Power	转速	泵重量	汽蚀余量
250S-39	360 485 612	42 39 32	76 83.6 79	54.2 61.5 67.5	75	1450	630	3.2
250S-39A	324 468 576	35 30 25	74 79 77	41.7 48.4 50.9	55			
300S-12	612 790 900	14 12 10	80 84.8 74	29.2 30.4 33.1	37	1450	610	5.5
300S-12A	522 684 792	11 10 8	72 78.4 76	21.7 23.9 22.7	30			

▶ **安装尺寸图** Installation Dimensions Drawing



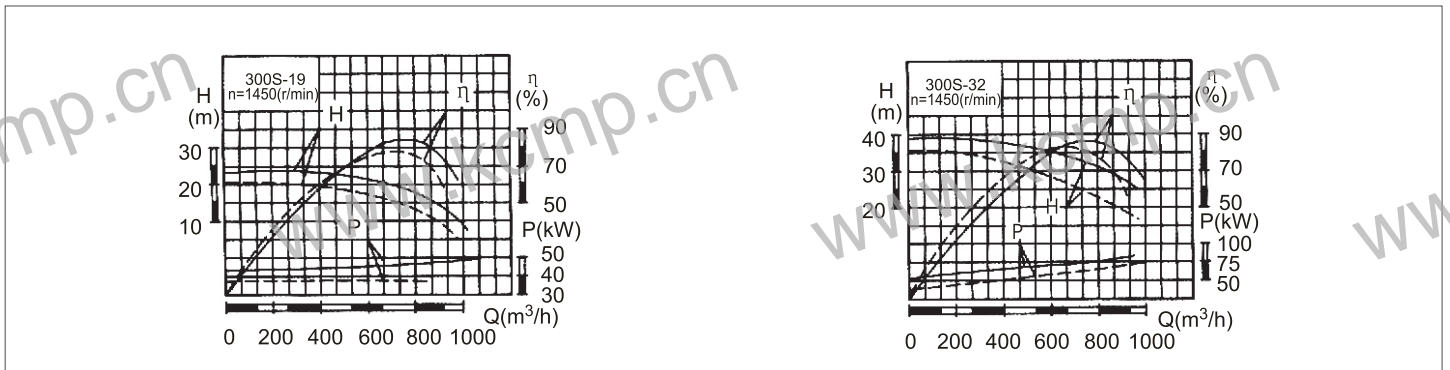
▶ **安装尺寸表** Installation Dimensions

Type	Power kW			外形尺寸 Outline Dimensions											C	底座尺寸 Base Dimensions						
泵型号	型号 Type	功率 (kW)	电压 (V)	L	L1	L2	L3	H	H1	H2	H3	H4	H5	B1		B2	A1	A2	A3	A4	A5	d
250S-39	Y280S-4	75	380	1900						280	970					1570		1072	655	735	φ 25	
250S-39A	Y250M-4	55		405	496	-18	918	570			250	935			200	260	450	440	258	1005		665
300S-12	Y225S-4	37		1840							225	965					1547		1000		685	φ 30
300S-12A	Y200L-4	30		463	554	2.5	966	630			265	265	500	500			305		770		605	
				1800						200	935					1535		951		605		

S型泵性能曲线图、性能参数表及安装尺寸图表

Performance Curve, Performance Parameters Table and Installation Dimensions Drawing, Table of S Pumps

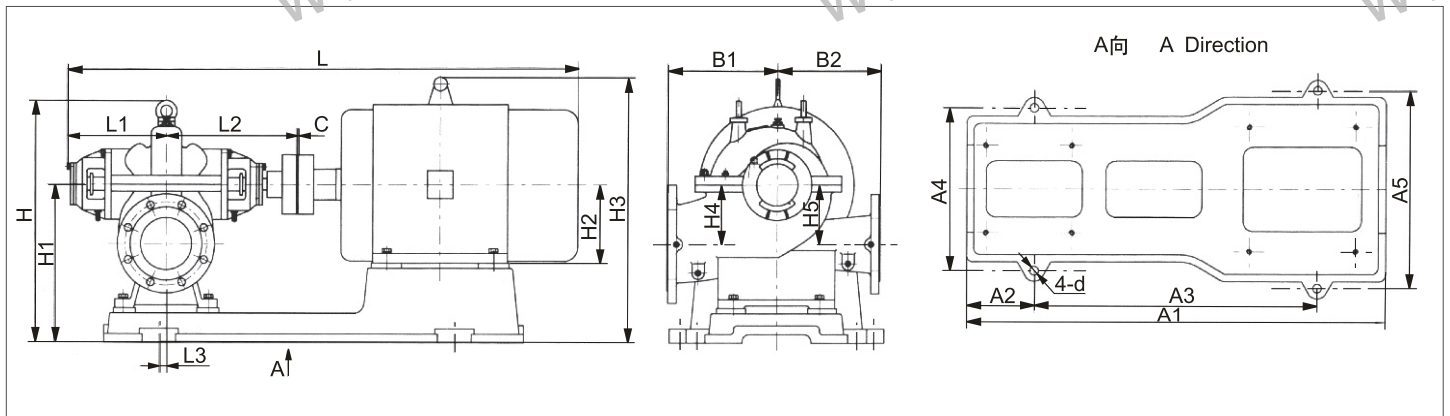
▶ **性能曲线图** Performance Curve



▶ **性能参数表** Performance Parameters

Type 泵型号	Q (m³/h) 流量	Head (m) 扬程	Efficiency (%) 效率	Power kW		speed (r/min) 转速	Weight (kg) 泵重量	(NPSH)r (m) 汽蚀余量
				轴功率 Shaft Power	电机功率 Motor Power			
300S-19	612 790 935	22 19 16	80 86.8 85	45.9 47.1 47.9	55	1450	790	5.2
300S-19A	504 720 829	20 16 13	71 80 75	38.7 39.2 39.1	45			
300S-32	612 790 900	36 32 28	80 86.8 80	75 79 86	90	1450	760	4.6
300S-32A	551 720 810	31 26 24	80 84 78	58.1 60.7 67.9	75			

▶ **安装尺寸图** Installation Dimensions Drawing



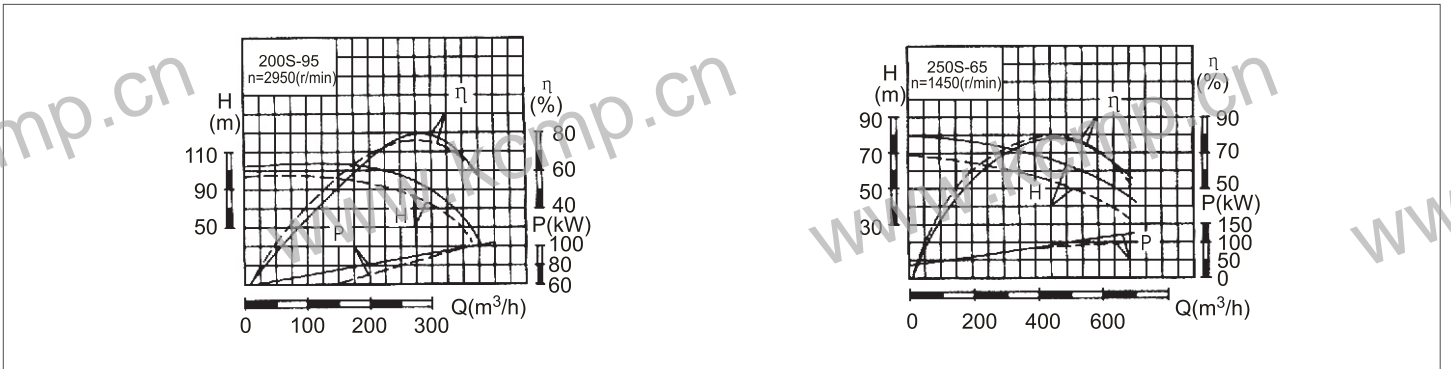
▶ **安装尺寸表** Installation Dimensions

Type 泵型号	Power kW			外形尺寸 Outline Dimensions												C	底座尺寸 Base Dimensions					
	型号 Type	功率 (KW)	电压 (V)	L	L1	L2	L3	H	H1	H2	H3	H4	H5	B1	B2		A1	A2	A3	A4	A5	d
300S-19	Y250M-4	55	380	1880					250	995						1610	1024	775	700	φ30		
300S-19A	Y225M-4	45		432	514	2.5	982	630		250	260	500	400			1547	1000	770	685			
300S-32	Y280M-4	90		2030																		
300S-32A	Y280S-4	75		431	540	13.5	996	630	280	1030	260	270	470	410		1730	283	1118	690	690	φ30	

S型泵性能曲线图、性能参数表及安装尺寸图表

Performance Curve, Performance Parameters Table and Installation Dimensions Drawing, Table of S Pumps

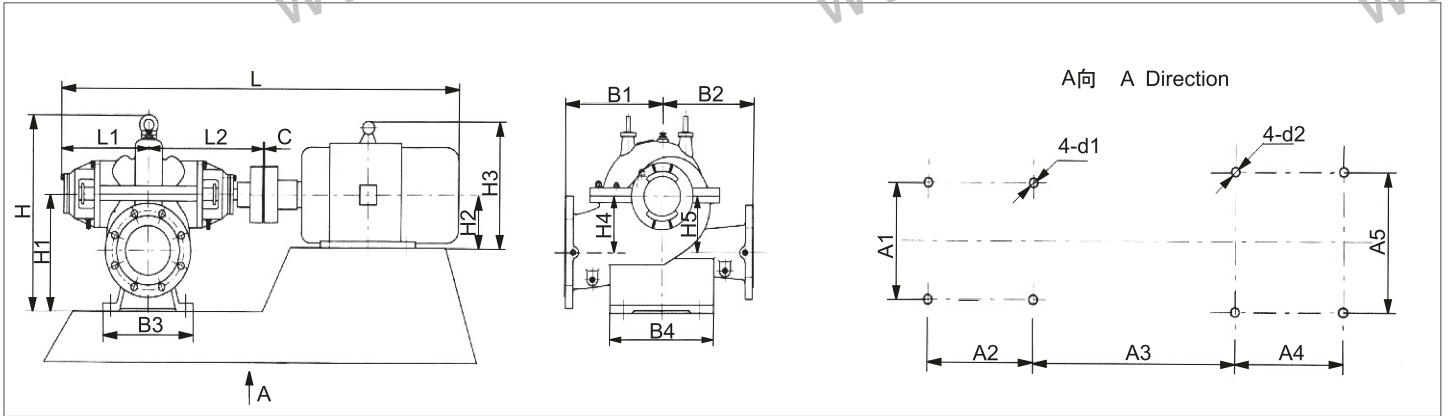
▶ **性能曲线图** Performance Curve



▶ **性能参数表** Performance Parameters

Type 泵型号	Q Capacity 流量 (m³/h)	Head (m) 扬程	η % 效率	Power kW		r/min speed 转速	Weight (kg) 泵重量	(NPSH)r (m) 汽蚀余量
				轴功率 Shaft Power	电机功率 Motor Power			
200S-95	183	103	62	83.1	132	2950	280	5.3
	280	95	79.2	91.4				
	324	87	75	102.4				
200S-95A	180	92	67	67.3	110			
	270	85	75	83.3				
	324	78	73	94.3				
200S-95B	180	82	62	64.8	90			
	260	75	72	73.8				
	306	68	70	80.9				
250S-65	360	71	75	92.8	132	1450	520	3.1
	485	65	78.6	109.2				
	612	58	74	130.6				
250S-65A	342	61	74	77	90			
	420	58	77.7	88.5				
	540	50	75	98				

▶ **安装尺寸图** Installation Dimensions Drawing



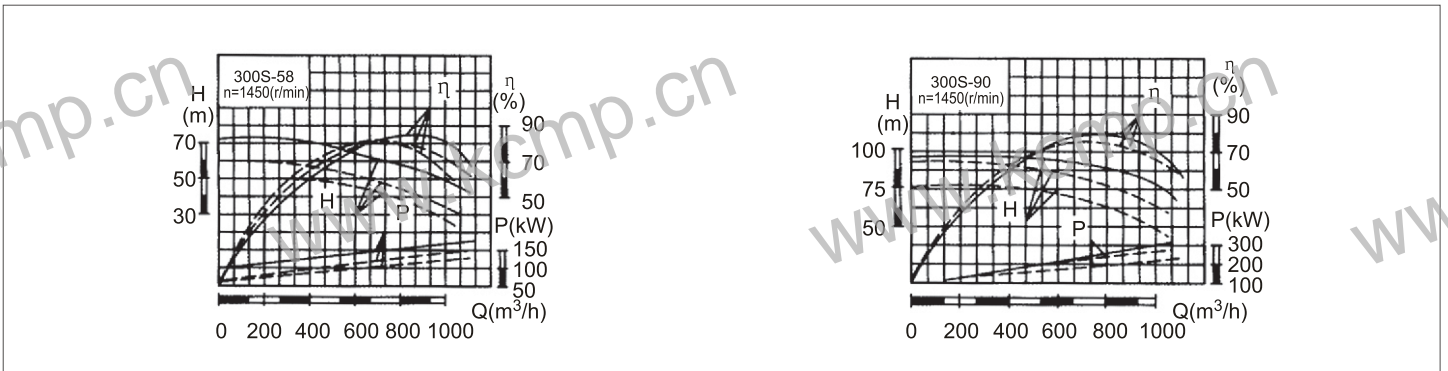
▶ **安装尺寸表** Installation Dimensions

Type 泵型号	Power kW			外形尺寸 Outline Dimensions											C	底座尺寸 Base Dimensions									
	型号 Type	功率 (kW)	电压 (V)	L	L1	L2	H	H1	H2	H3	H4	H5	B1	B2		B3	B4	A1	A2	A3	A4	A5	d1	d2	
200S-95	Y315M-2	132	380	2080													250	250	684	457	508	φ18	φ23		
200S-95A	Y315S-2	110		2050	357	448	627	335	315	845			170	170	350	300	300	340			406				
200S-95B	Y280M-2	90		1860					280	680										658	419	457		φ24	
250S-65	Y315M-4	132		2220					315	845								400	350	728	457	508	φ27	φ28	
250S-65B	Y280M-4	90		1970	403	512	815	450					240	290	480	400	410	570			672	419	457		φ24

S型泵性能曲线图、性能参数表及安装尺寸图表

Performance Curve, Performance Parameters Table and Installation Dimensions Drawing, Table of S Pumps

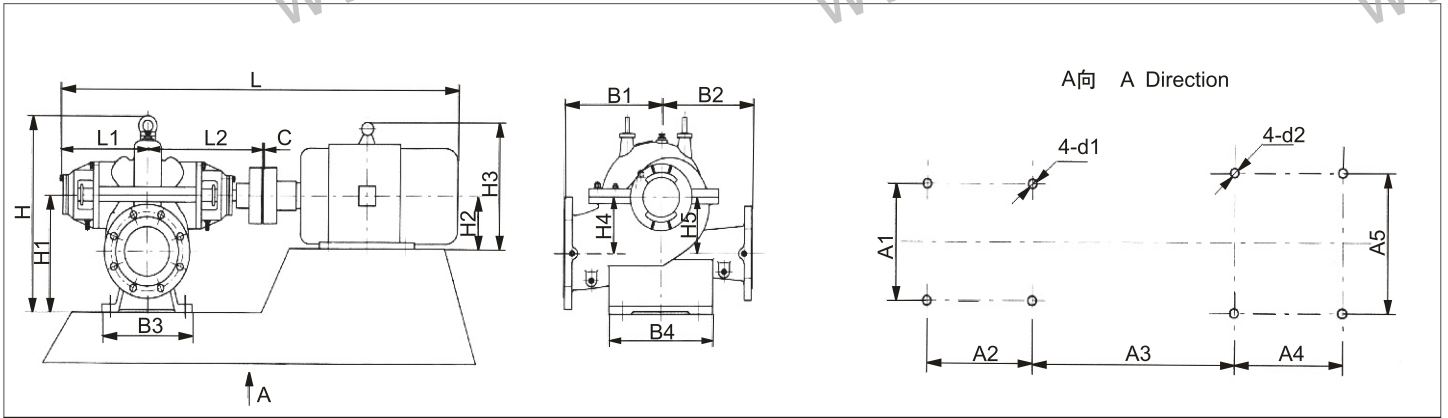
▶ **性能曲线图** Performance Curve



▶ **性能参数表** Performance Parameters

Type 泵型号	Q (m³/h) 流量	Head (m) 扬程	Efficiency (%) 效率	Power kW		speed (r/min) 转速	Weight (kg) 泵重量	(NPSH)r (m) 汽蚀余量
				轴功率 Shaft Power	电机功率 Motor Power			
300S-58	576	63	75	131.8	200	1450	680	4.4
	790	58	84.2	147.9				
	972	50	80	165.5				
300S-58A	529	53	76	100.5	160			
	720	49	82.5	118.0				
	893	42	78	130.9				
300S-58B	504	46	73	87	132			
	684	43	80	100				
	835	37	78	108				
300S-90	590	93	74	202	315	1450	1100	4.2
	790	90	79.6	243				
	936	82	75	279				
300S-90A	576	86	71	190	280			
	756	78	74.2	216.4				
	918	70	71	247				
300S-90B	540	72	70	151	220			
	720	67	73	180				
	900	57	70	200				

▶ **安装尺寸图** Installation Dimensions Drawing



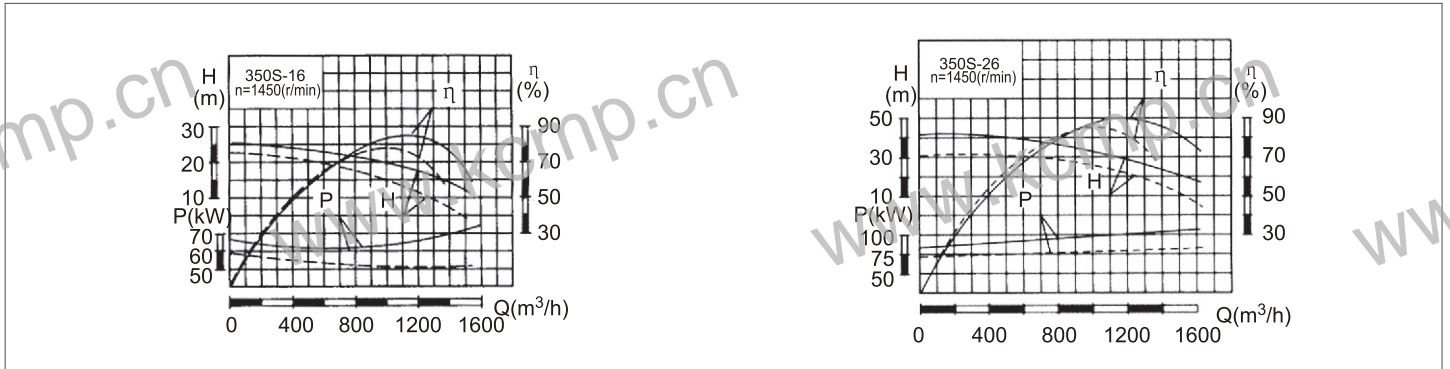
▶ **安装尺寸表** Installation Dimensions

Type 泵型号	Power kW			外形尺寸 Outline Dimensions											C	底座尺寸 Base Dimensions								
	型号 Type	功率 (KW)	电压 (V)	L	L1	L2	H	H1	H2	H3	H4	H5	B1	B2		B3	B4	A1	A2	A3	A4	A5	d1	d2
300S-58	Y315L2-4	200															5				508			
300S-58A	Y315L1-4	160	380	2320	453	562	897	510	315	845	240	310	540	530	510	620		550	450	728	508	φ27	φ28	
300S-58B	Y315M-4	132														457								
300S-90	Y355-4	315															5							
300S-90A	Y355-4	280	6000	3090	522	666	1011	550	355	740	260	340	576	470	520	600		450	450	971	900	630	φ27	φ28
300S-90B	Y355-4	220																						

S型泵性能曲线图、性能参数表及安装尺寸图表

Performance Curve, Performance Parameters Table and Installation Dimensions Drawing, Table of S Pumps

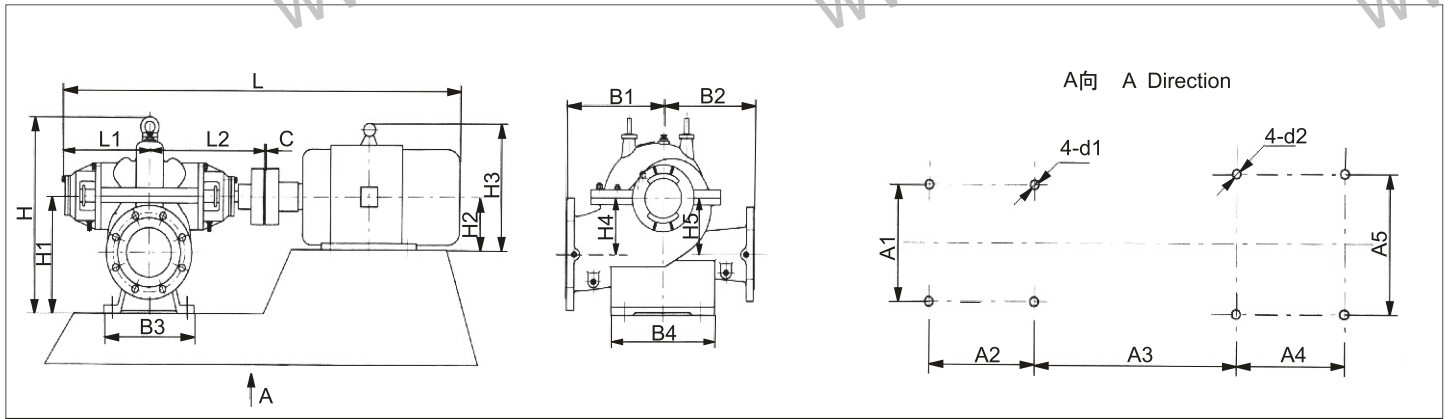
▶ **性能曲线图** Performance Curve



▶ **性能参数表** Performance Parameters

Type	Q (m³/h) Capacity	Head (m) 扬程	η (%) Efficiency	Power kW		r/min speed	Weight (kg) 泵重量	(NPSH)r (m) 汽蚀余量
泵型号	流量	扬程	效率	轴功率 Shaft Power	电机功率 Motor Power	转速	泵重量	汽蚀余量
350S-16	972	20	83	63.8	75	1450	810	7.1
	1260	16	85.4	64.4				
	1440	13	74	68.9				
350S-16A	864	16	74	51	55	1450	810	7.1
	1044	13	78.3	47				
	1260	10	70	49				
350S-26	972	30	80	99	132	1450	940	6.7
	1260	26	87.5	102				
	1440	22	82	105				
350S-26A	864	26	80	76.5	90	1450	940	6.7
	1116	21	83.4	76.9				
	1296	16	73	77.4				

▶ **安装尺寸图** Installation Dimensions Drawing



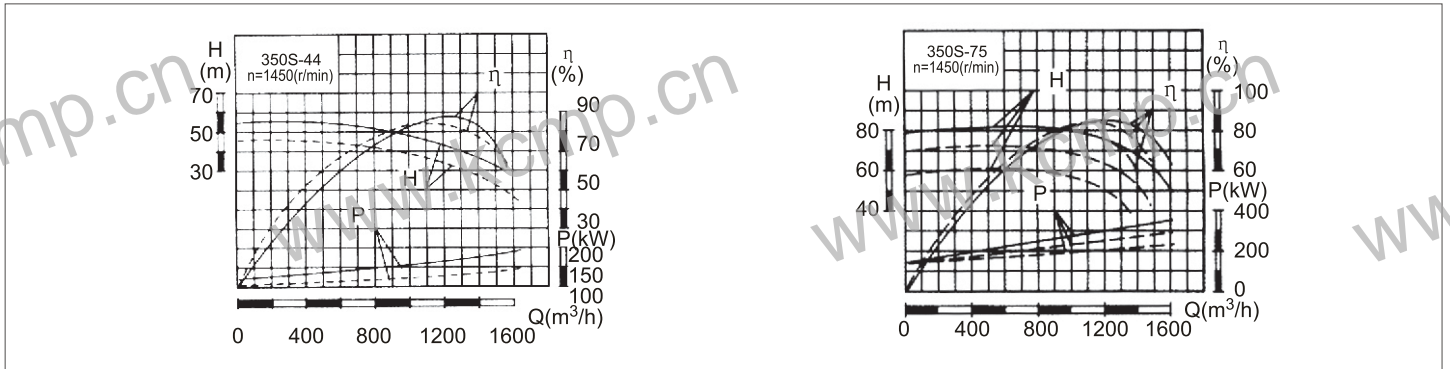
▶ **安装尺寸表** Installation Dimensions

Type	Power kW	外形尺寸 Outline Dimensions													C	底座尺寸 Base Dimensions								
		型号 Type	功率 (kW)	电压 (V)	L	L1	L2	H	H1	H2	H3	H4	H5	B1		B2	B3	B4	A1	A2	A3	A4	A5	d1
350S-16	Y280S-4	75	380	2100				280	680										676	368	457			
350S-16A	Y250M-4	55		2030	500	591	1020	620			310	310	584	584	600	690			500	500		φ 34	φ 24	
350S-26	Y315S-4	132		2390					315	845										736	457	508		φ 28
350S-26A	Y280L-4	90		2140	486	595	991	620			290	300	580	460	580	680			600	500		φ 34	φ 24	

S型泵性能曲线图、性能参数表及安装尺寸图表

Performance Curve, Performance Parameters Table and Installation Dimensions Drawing, Table of S Pumps

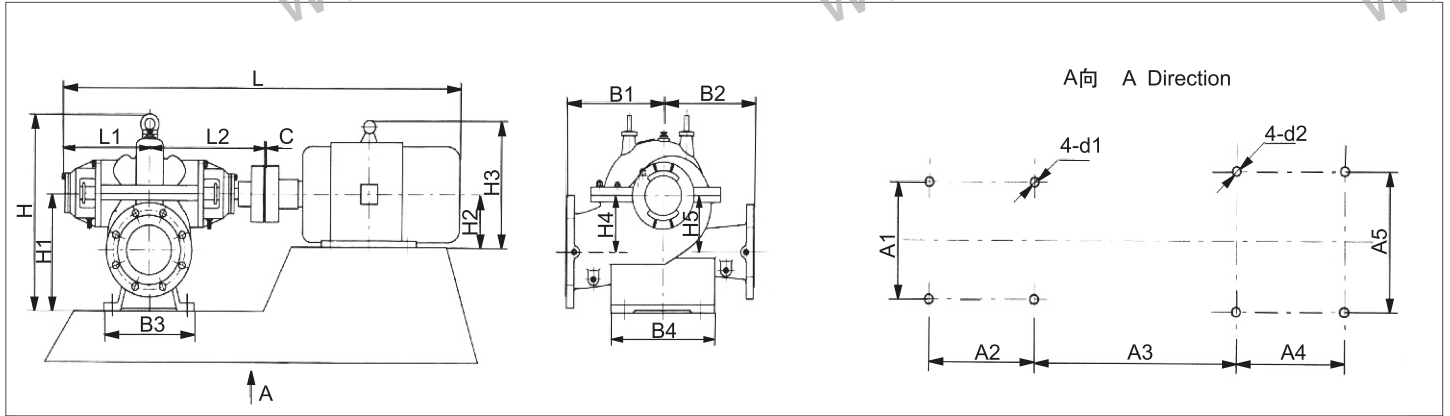
▶ **性能曲线图** Performance Curve



▶ **性能参数表** Performance Parameters

Type 泵型号	Q (m³/h) 流量	Head (m) 扬程	Efficiency (%) 效率	Power kW		r/min 转速	Weight (kg) 泵重量	(NPSH)r (m) 汽蚀余量
				轴功率 Shaft Power	电机功率 Motor Power			
350S-44	927	50	81	163.4	220	1450	1150	6.3
	1260	44	87.5	172.5				
	1476	37	79	188.3				
350S-44A	864	41	80	121	160	1450	1150	6.3
	1116	36	84.5	129.5				
	1332	30	80	136				
350S-75	972	80	78.5	271	355	1450	1320	5.8
	1260	75	85.2	303				
	1440	65	80	319				
350S-75A	900	70	78	220	280	1450	1320	5.8
	1170	65	84.2	244.4				
	1332	56	79	257				
350S-75B	828	59	75	177.4	220	1450	1320	5.8
	1080	55	82.4	196.3				
	1224	47	77	203.5				

▶ **安装尺寸图** Installation Dimensions Drawing



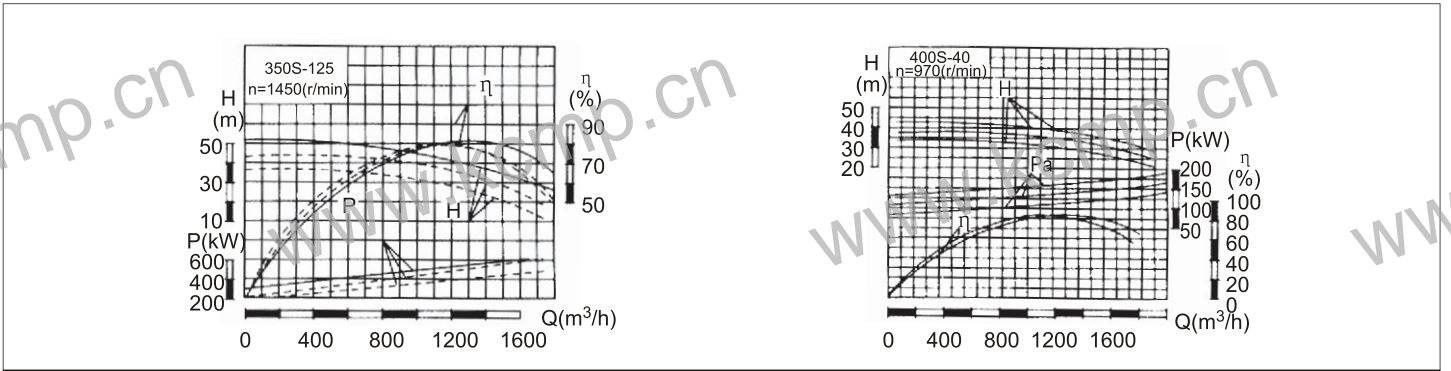
▶ **安装尺寸表** Installation Dimensions

Type 泵型号	Power kW			外形尺寸 Outline Dimensions											C	底座尺寸 Base Dimensions											
	型号 Type	功率 (kW)	电压 (V)	L	L1	L2	H	H1	H2	H3	H4	H5	B1	B2		B3	B4	A1	A2	A3	A4	A5	d1	d2			
350S-44	Y355M ₁ -4	220	380	2750				355	1010								500	500	857	560	610	φ 34	φ 28				
350S-44A	Y315L ₁ -4	160		2520		534	678	1062	620		300	300	570	510	600	690					819			508	508		
350S-75	Y400-4	355	6000	3260				400	830								500	500	1005	1000	710	φ 35	φ 28				
350S-75A	Y355-4	280		3170	562	705	1125	620	355	740	260	360	650	650	600	690					985			900	630	φ 34	φ 28
350S-75B	Y335-4	220																									

S型泵性能曲线图、性能参数表及安装尺寸图表

Performance Curve, Performance Parameters Table and Installation Dimensions Drawing, Table of S Pumps

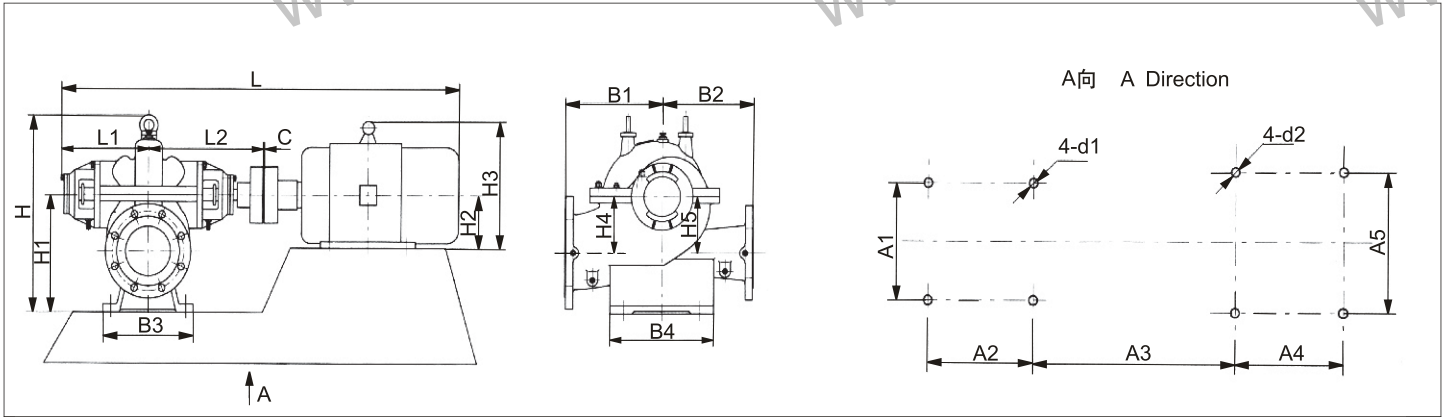
▶ **性能曲线图** Performance Curve



▶ **性能参数表** Performance Parameters

Type	Q (m³/h) Capacity	Head (m) 扬程	η (%) Efficiency	Power kW 轴功率 Shaft Power / 电机功率 Motor Power	r/min speed 转速	Weight (kg) 泵重量	(NPSH)r (m) 汽蚀余量
泵型号	流量	扬程	效率	轴功率 / 电机功率	转速	泵重量	汽蚀余量
350S-125	850	140	70	463	1450	1600	5.4
	1260	125	80.5	533			
	1660	100	72	628			
350S-125A	803	125	70	391	1450	1600	5.4
	1181	112	78.2	461			
	1570	90	70	550			
350S-125B	745	108	70	313	1450	1600	5.4
	1098	96	77	373			
	1458	77	72	425			
400S-40	900	42	80	129	970	1940	5.1
	1080	40	85	140			
	1260	37	84	150			
400S-40A	815	35	81	95.8	970	1940	5.1
	1007	33	84.5	107			
	1084	31	84	109			
400S-40B	725	28	82	67.4	970	1940	5.1
	870	26	84	73.3			
	967	24.7	83	78.4			

▶ **安装尺寸图** Installation Dimensions Drawing



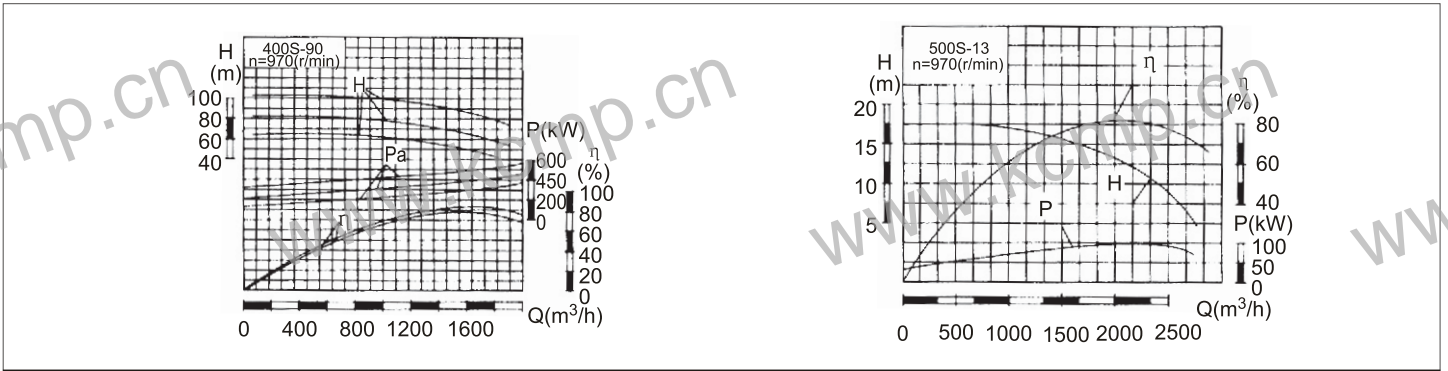
▶ **安装尺寸表** Installation Dimensions

Type	Power kW	外形尺寸 Outline Dimensions												C	底座尺寸 Base Dimensions									
泵型号	型号 Type	功率 (kW)	电压 (V)	L	L1	L2	H	H1	H2	H3	H4	H5	B1		B2	B3	B4	A1	A2	A3	A4	A5	d1	d2
350S-125	Y450-4	710	6000	2620	622	809	1082	620	450	930	330	410	660	550	600	690	5	550	500	1129	1120	800	φ 35	φ 35
350S-125A	Y450-4	630	6000	2620	622	809	1082	620	450	930	330	410	660	550	600	690	5	550	500	1129	1120	800	φ 35	φ 35
350S-125B	Y400-4	500	6000	3420	622	809	1082	620	400	830	330	410	660	550	600	690	5	550	500	1109	1000	710	φ 35	φ 35
400S-40	Y355M-6	185	380	2980	635	805	1130	670	355	1010	334	382	745	800	820	900	6	700	700	885	560	610	φ 35	φ 28
400S-40A	Y355M1-6	160	380	2980	635	805	1130	670	355	1010	334	382	745	800	820	900	6	700	700	885	560	610	φ 35	φ 28
400S-40B	Y315L1-6	110	380	2750	635	805	1130	670	315	845	334	382	745	800	820	900	6	700	700	847	508	508	φ 35	φ 28

S型泵性能曲线图、性能参数表及安装尺寸图表

Performance Curve, Performance Parameters Table and Installation Dimensions Drawing, Table of S Pumps

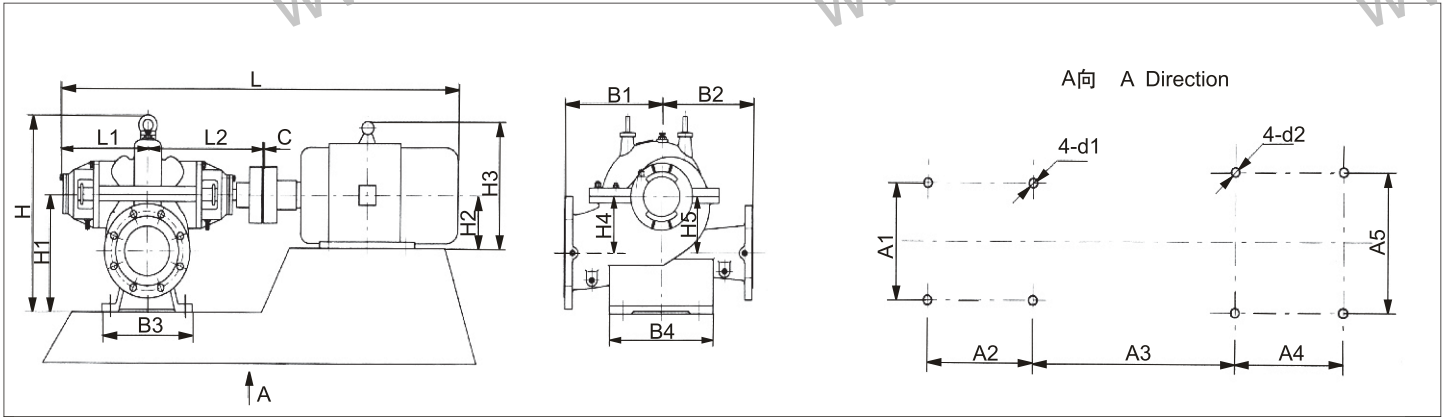
▶ **性能曲线图** Performance Curve



▶ **性能参数表** Performance Parameters

Type 泵型号	Q (m³/h) Capacity 流量	Head (m) 扬程	Efficiency (%) 效率	Power kW 轴功率 Shaft Power 电机功率 Motor Power	Speed (r/min) 转速	Weight (kg) 泵重量	(NPSH)r (m) 汽蚀余量
400S-90	1350 1620 1800	96 90 85	78 84 82	458.2 473 508	1450	1950	6.2
400S-90A	1215 1460 1621	78 73 69	79 84 82	327 345 371.3			
400S-90B	1084 1300 1445	62 58 55	82 84 82	223 245 264			
500S-13	1620 2020 2340	15 13 10	79 83.4 80	83.8 85.7 79.7	970	1500	5.7

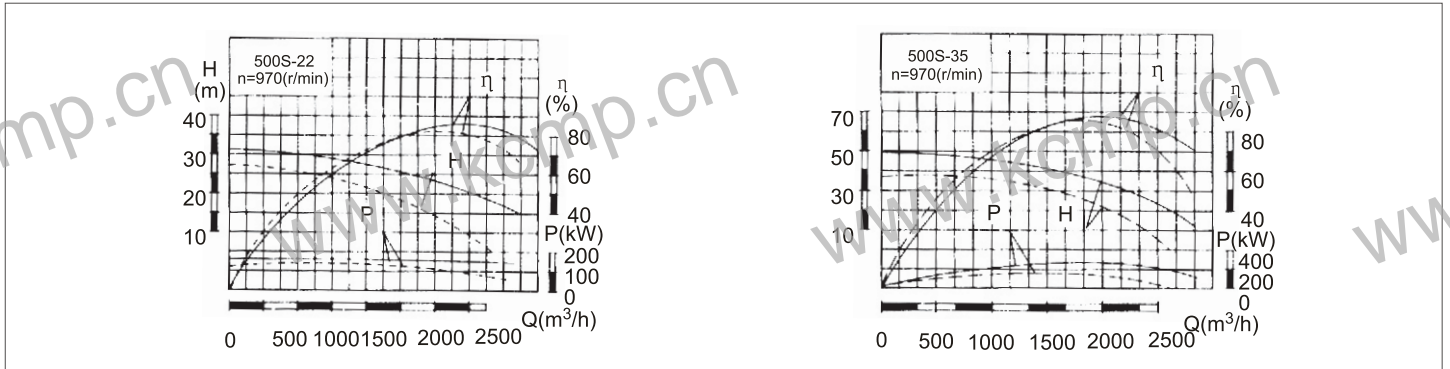
▶ **安装尺寸图** Installation Dimensions Drawing



▶ **安装尺寸表** Installation Dimensions

Type 泵型号	Power kW			外形尺寸 Outline Dimensions												C	底座尺寸 Base Dimensions							
	型号 Type	功率 (kW)	电压 (V)	L	L1	L2	H	H1	H2	H3	H4	H5	B1	B2	B3		B4	A1	A2	A3	A4	A5	d1	d2
400S-90	Y400-4	560																						
400S-90A	Y400-4	450	6000	3430	635	805	1130	670	400	830	334	382	745	800	820	900	6	700	700	1006	1000	710	φ35	φ35
400S-90B	Y355-4	315		3340						355	740								986	900	630		φ28	
500S-13	Y315L1-6	110	380	2770	670	790	1431	800	315	845	400	400	730	650	740	920	8	720	600	884	508	508	φ42	φ28

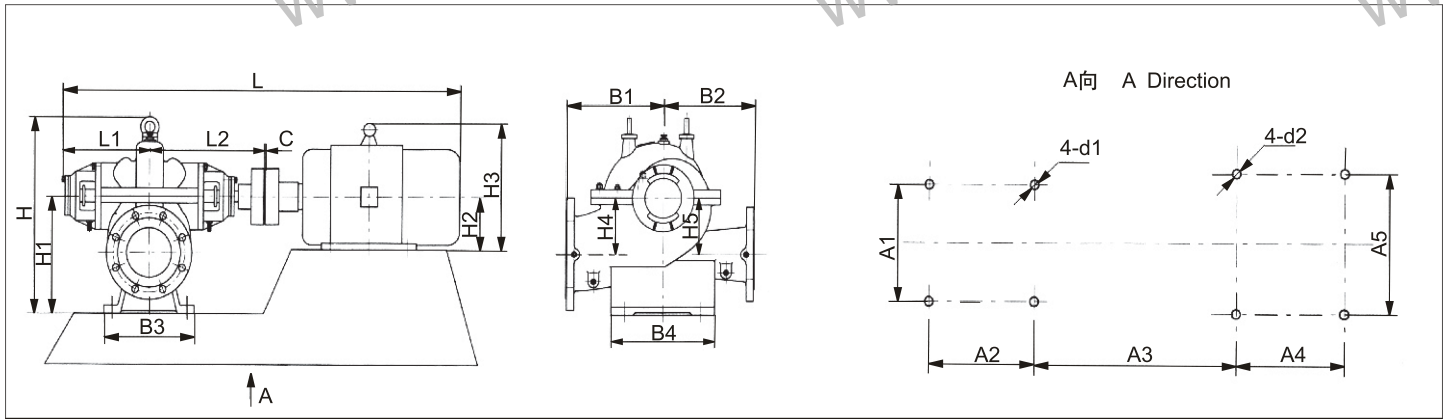
▶ **性能曲线图** Performance Curve



▶ **性能参数表** Performance Parameters

Type 泵型号	Q (m³/h) Capacity 流量	Head (m) 扬程	Efficiency (%) 效率	Power kW 轴功率 Shaft Power / 电机功率 Motor Power		r/min speed 转速	Weight (kg) 泵重量	(NPSH)r (m) 汽蚀余量
500S-22	1620 2020 2340	24 22 19	77 84.2 85	137.5 143.6 142.4	185	970	1560	5.2
500S-22A	1400 1746 2020	20 17 14	74 80.3 75	103 100.6 102.6	132			
500S-35	1620 2020 2340	40 35 28	85 88.2 85	207.6 218.2 209.9	280	970	1640	4.8
500S-35A	1400 1746 2020	31 27 21	82 85.2 84	144 150.6 138	220			

▶ **安装尺寸图** Installation Dimensions Drawing



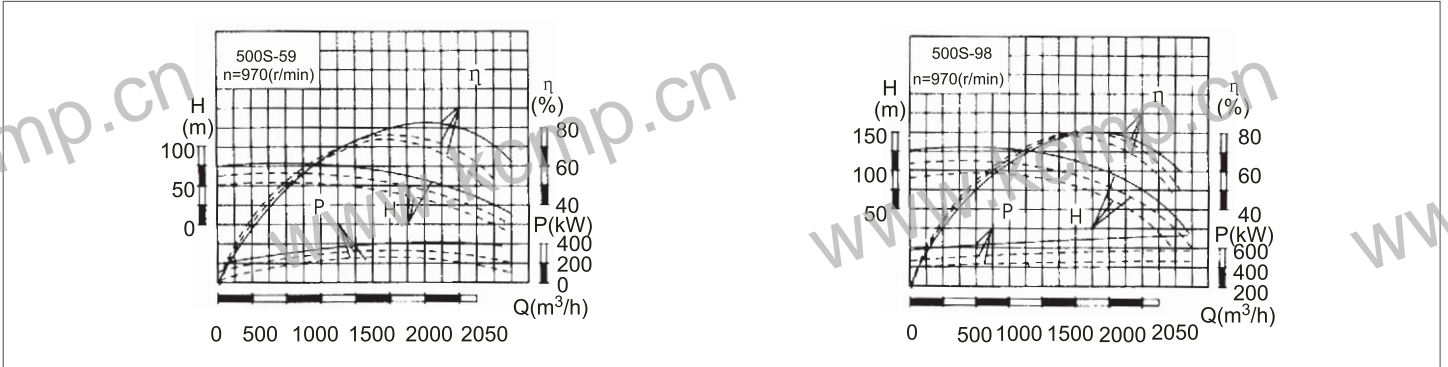
▶ **安装尺寸表** Installation Dimensions

Type 泵型号	Power kW 功率 (kW) / 电压 (V)			外形尺寸 Outline Dimensions											C	底座尺寸 Base Dimensions							
	型号 Type	功率 (kW)	电压 (V)	L	L1	L2	H	H1	H2	H3	H4	H5	B1	B2		B3	B4	A1	A2	A3	A4	A5	d1
500S-22	Y355M-6	185	380	2950				355	1010														
500S-22A	Y315L ₂ -6	132		2720	634	778	1310	800		430	455	730	650	740	920		720	600		910	560	610	φ 42 / φ 28
500S-35	Y400-6	280		3380				400	830											1031	1000	710	φ 35
500S-35A	Y355-6	220	6000	3290	624	768	1335	800		415	415	720	630	760	1020		800	580		1011	900	630	φ 42 / φ 28

S型泵性能曲线图、性能参数表及安装尺寸图表

Performance Curve, Performance Parameters Table and Installation Dimensions Drawing, Table of S Pumps

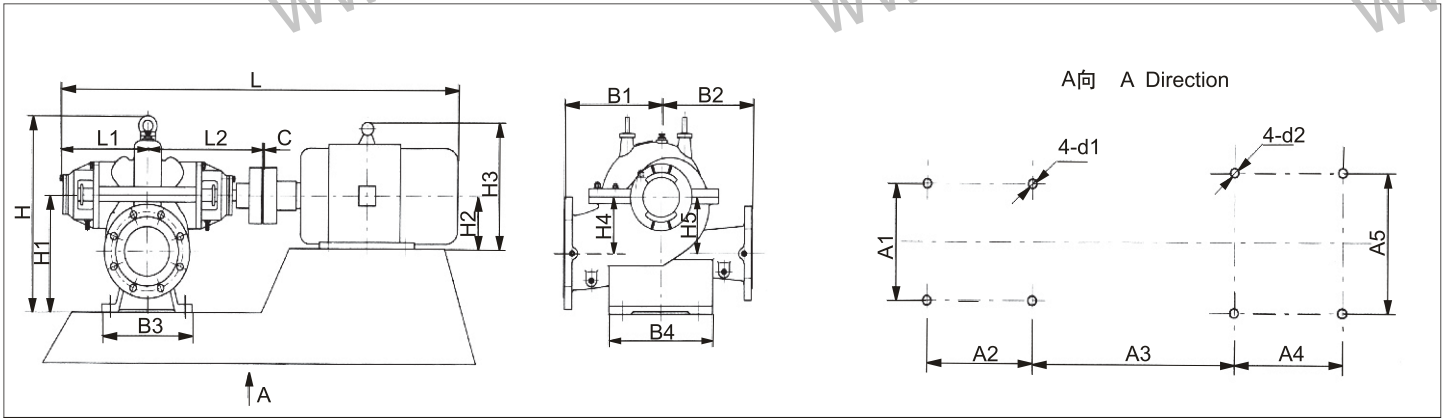
▶ **性能曲线图** Performance Curve



▶ **性能参数表** Performance Parameters

Type 泵型号	Q (m³/h) Capacity 流量	Head (m) 扬程	Efficiency (%) 效率	Power kW 轴功率 Shaft Power / 电机功率 Motor Power	Speed (r/min) 转速	Weight (kg) 泵重量	(NPSH)r (m) 汽蚀余量
500S-59	1620 2020 2340	67 59 47	79 83.6 80	374 388.2 374	970	2240	4.5
500S-59A	1500 1872 2170	57 49 39	74 75.6 72	315 332.3 320			
500S-59B	1400 1746 2020	46 40 32	73 74 71	240 255.8 248			
500S-98	1620 2020 2340	114 98 79	78 79.5 74	664.8 678.1 680.3	970	2400	4.1
500S-98A	1500 1872 2170	96 83 67	77 78.5 73	309 539 542			
500S-98B	1400 1746 2020	86 74 59	76 78.7 75	431.4 450.1 432.8			

▶ **安装尺寸图** Installation Dimensions Drawing



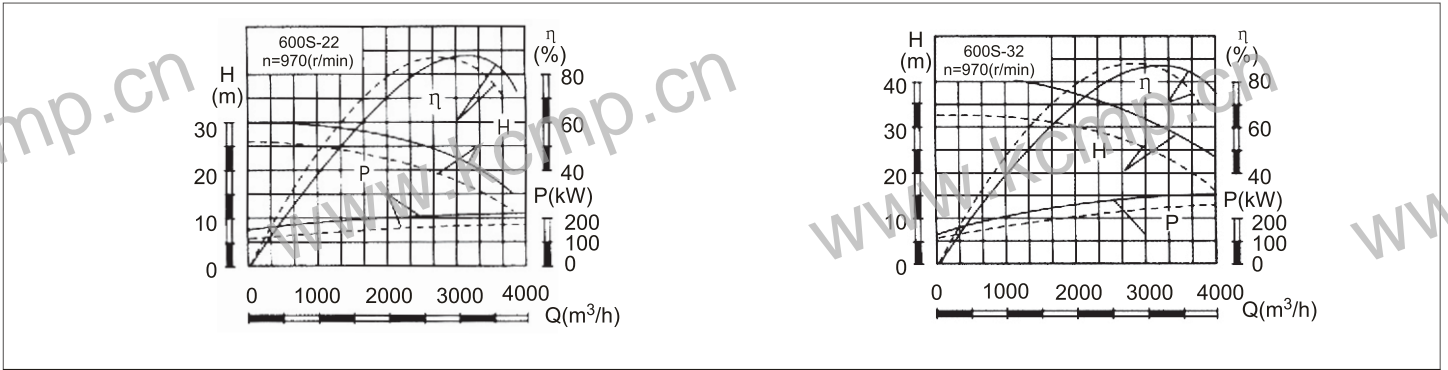
▶ **安装尺寸表** Installation Dimensions

Type 泵型号	Power kW 功率 (KW) / 电压 (V)	外形尺寸 Outline Dimensions													C	底座尺寸 Base Dimensions						
型号 Type	功率 (KW) / 电压 (V)	L	L1	L2	H	H1	H2	H3	H4	H5	B1	B2	B3	B4		A1	A2	A3	A4	A5	d1	d2
500S-59	Y450-6 450	3570					450	930							8	983	1120	800				
500S-59A	Y400-6 400 6000	3370	621	760	1485	900	425	500	800	750	910	1100			800	780	923	1000	710	φ42	φ35	
500S-59B	Y400-6 315						400	830														
500S-98	Y500-6 800	4470					500	1030														
500S-98A	Y450-6 630 6000	4100	880	1025	1641	900	425	545	800	750	910	1100			800	780	1248	1120	800	φ42	φ35	
500S-98B	Y450-6 560						450	930														

S型泵性能曲线图、性能参数表及安装尺寸图表

Performance Curve, Performance Parameters Table and Installation Dimensions Drawing, Table of S Pumps

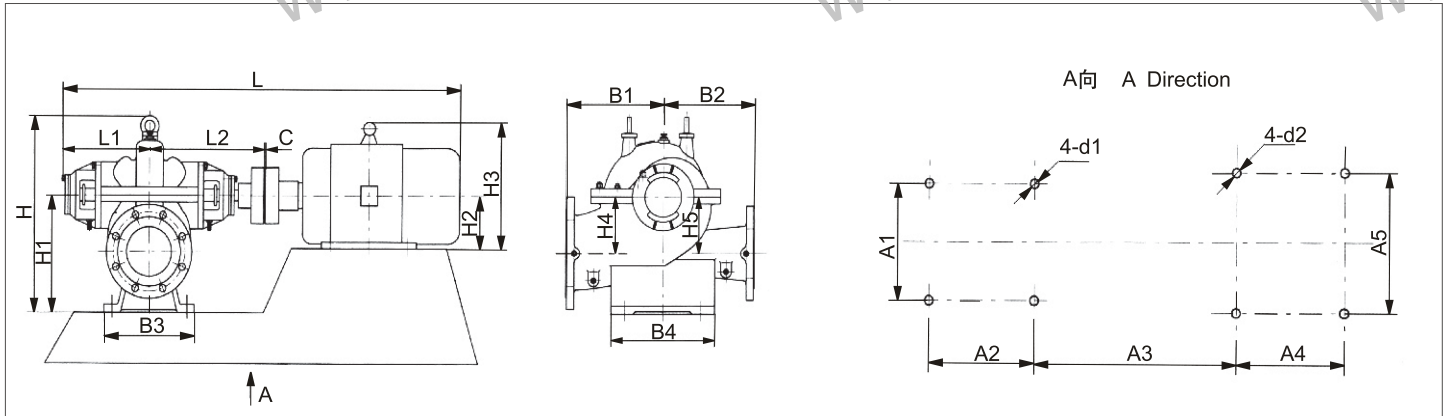
性能曲线图 Performance Curve



性能参数表 Performance Parameters

Type 泵型号	Q (m³/h) 流量	Head (m) 扬程	Efficiency (%) 效率	Power kW		r/min 转速	Weight (kg) 泵重量	(NPSH)r (m) 汽蚀余量
				轴功率 Shaft Power	电机功率 Motor Power			
600S-22	2520 3170 3600	25 22 18	82 88 82	209.2 215.8 215.2	250	970	2500	7
600S-22A	2160 2860 3240	21 18 16	81 87 84	152.5 161.1 168.1	185			
600S-32	2160 3170 3600	36 32 27	76 89 85	278.6 310.4 311.4	355	970	2500	7
600S-32A	1800 2850 3240	30 26 23	72 88 86	204 229 236	280			

安装尺寸图 Installation Dimensions Drawing



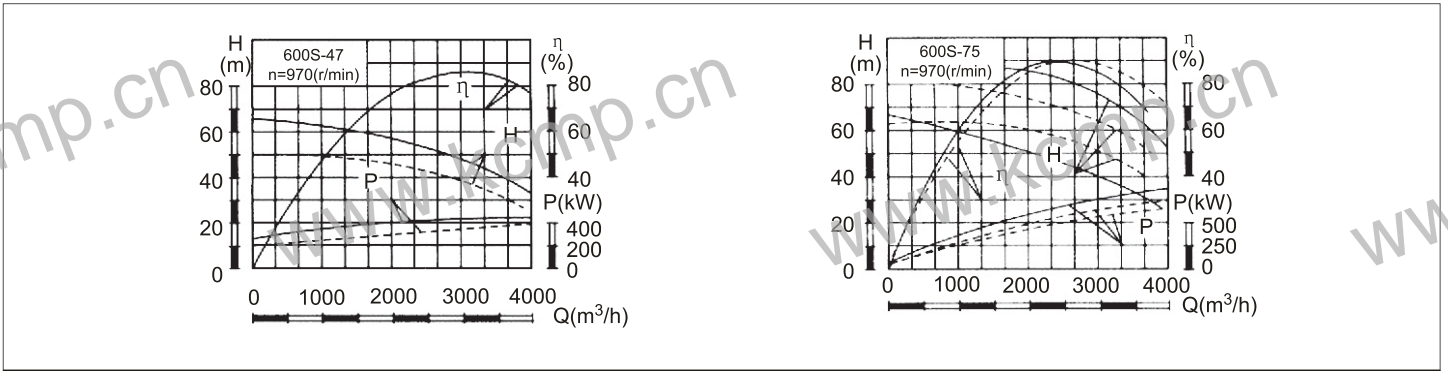
安装尺寸表 Installation Dimensions

Type 泵型号	Power kW		外形尺寸 Outline Dimensions													C	底座尺寸 Base Dimensions						
	型号 Type	功率 (kW)	电压 (V)	L	L1	L2	H	H1	H2	H3	H4	H5	B1	B2	B3		B4	A1	A2	A3	A4	A5	d1
600S-22	Y355S-6	250	6000	3370					355	740									1063	900	630		
600S-22A	Y355M-6	180	380	3010	662	810	1490	950		460	460	950	840	940	1020		800	760	862	560	610	φ42	φ28
600S-32	Y400S-6	355																					
600S-32A	Y400-6	280	6000	3780	836	955	1710	900	400	830	500	530	840	750	940	1240	1000	760	1128	1000	710	φ42	φ35

S型泵性能曲线图、性能参数表及安装尺寸图表

Performance Curve, Performance Parameters Table and Installation Dimensions Drawing, Table of S Pumps

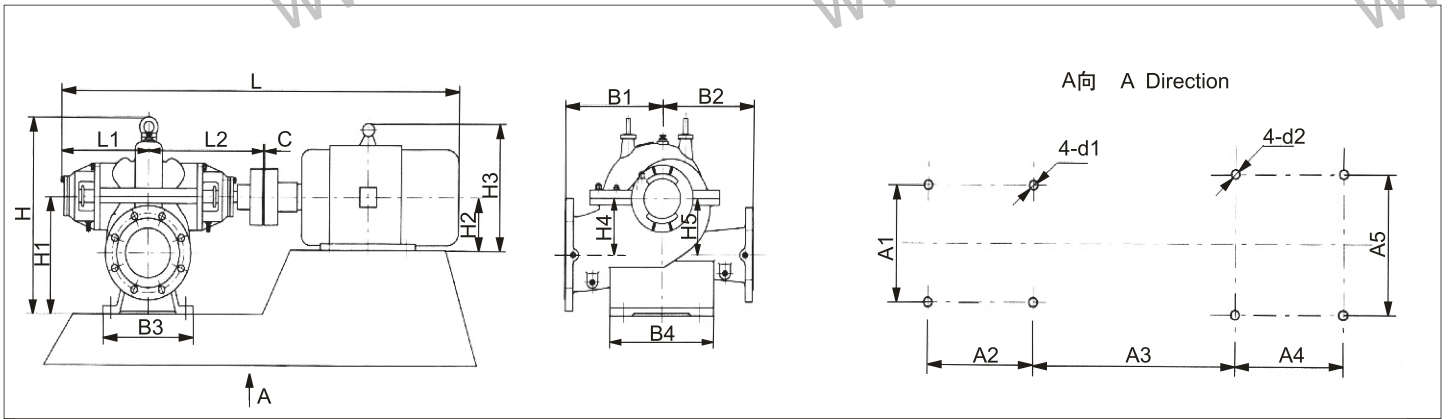
▶ **性能曲线图** Performance Curve



▶ **性能参数表** Performance Parameters

Type	Q (m³/h) Capacity 流量	Head (m) 扬程	η (%) Efficiency 效率	Power kW 轴功率 Shaft Power / 电机功率 Motor Power		r/min speed 转速	Weight (kg) 泵重量	(NPSH)r (m) 汽蚀余量
600S-47	2160 3170 3600	56 47 40	80 89 86	412 456 456	560	970	3850	6.5
600S-47A	1980 2920 3240	46 40 37	78 88 86	318 361 380	450			
600S-75	2160 3170 3600	84 75 67	87 88 80	568 736 821	900			
600S-75A	1980 2950 3240	74 65 60	82 87 80	486.6 600.2 661.8	710	970	4300	6
600S-75B	1800 2710 3060	60 55 51	80 85 80	367.6 477.5 531.3	560			

▶ **安装尺寸图** Installation Dimensions Drawing



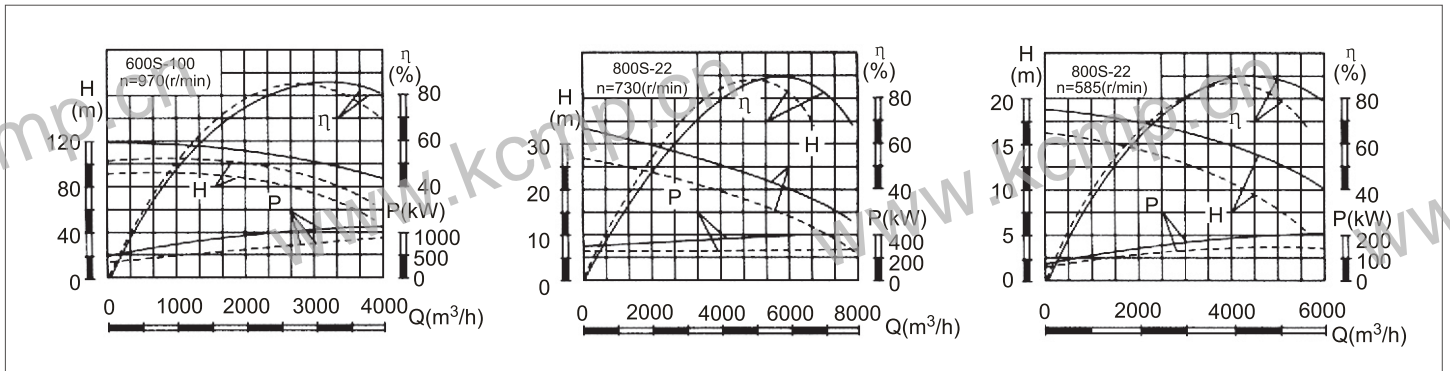
▶ **安装尺寸表** Installation Dimensions

Type 泵型号	Power kW 功率 (kW) / 电压 (V)			外形尺寸 Outline Dimensions												C	底座尺寸 Base Dimensions							
	型号 Type	功率 (kW)	电压 (V)	L	L1	L2	H	H1	H2	H3	H4	H5	B1	B2	B3		B4	A1	A2	A3	A4	A5	d1	d2
600S-47	Y450-6	560		4103	857	1085	1700	950		450	930	532	663	1000	800	1100	1300	1000	900	1248	1120	800	φ42	φ35
600S-47A	Y450-6	450																						
600S-75	Y500-6	900	6000	4590						500	1030							8		1368	1250	900		φ42
600S-75A	Y500-6	710			944	1085	1706	950				532	663	1000	800	1100	1000		1000	900			φ42	
600S-75B	Y450-6	560		4220						450	930									1248	1120	800		φ35

S型泵性能曲线图、性能参数表及安装尺寸图表

Performance Curve, Performance Parameters Table and Installation Dimensions Drawing, Table of S Pumps

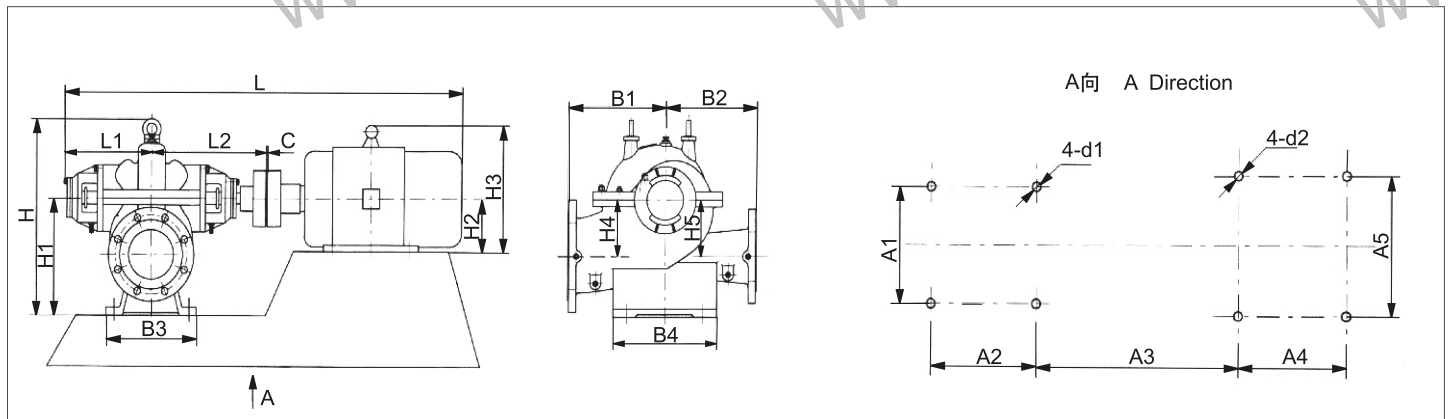
性能曲线图 Performance Curve



性能参数表 Performance Parameters

Type 泵型号	Q (m³/h) 容量 流量	Head (m) 扬程	Efficiency (%) 效率	Power kW		r/min 转速	Weight (kg) 泵重量	(NPSH)r (m) 汽蚀余量
				轴功率 Shaft Power	电机功率 Motor Power			
600S-100	2160	110	78	829.6	1250	970	4300	6
	3170	100	85	1015.6				
	3600	92	84	1073.8				
600S-100A	1980	100	78	697.3	1120	970	4300	6
	3000	90	84	875.4				
	3240	85	82	914.6				
600S-100B	1800	90	75	588.2	900	970	4300	6
	2830	80	82	751.9				
	3060	75	80	781.3				
800S-22	4320	25	86	358.7	450	730	4500	7
	5500	22	86	370.2				
	6480	19	86	389.9				
800S-22A	3000	16	80	163.4	250	585	4500	5
	4400	14	88	190.6				
	5040	12	85	193.8				
800S-22A	3960	19	83	246.9	315	730	4500	7
	4830	17	86	254.1				
	5500	15	86	261.2				
800S-22A	2800	13	80	123.9	185	585	4500	5
	3870	11	87	133.3				
	4500	9	84	131.3				

安装尺寸图 Installation Dimensions Drawing



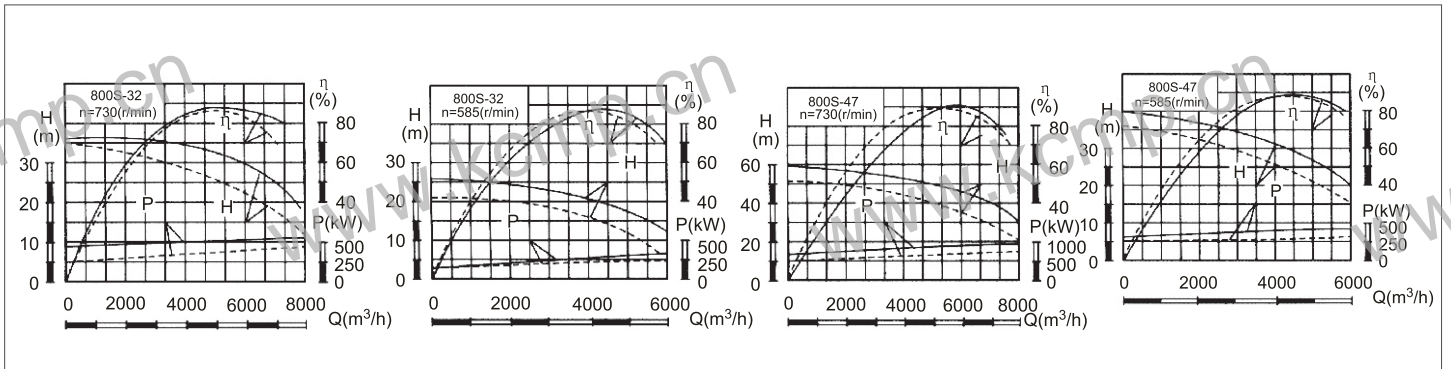
安装尺寸表 Installation Dimensions

Type 泵型号	Power kW			外形尺寸 Outline Dimensions											C	底座尺寸 Base Dimensions							
	型号 Type	功率 (kW)	电压 (V)	L	L1	L2	H	H1	H2	H3	H4	H5	B1	B2		B3	B4	A1	A2	A3	A4	A5	d1
600S-100	Y560-6	1250	6000	4810				560	1148								800	760	1488	1400	1000		
600S-100A	Y560-6	1120	6000		840	1060	1600	950			490	590	1200	900	940	1020						φ42	φ42
600S-100B	Y500-6	900	6000					500	1030										1413	1250	900		
800S-22	Y450-8	450	6000														900	1000				φ48	φ35
	Y450-10	250	6000	4410	10000	1220	2210	1265	450	930	755	695	1400	750	1200	1200							
800S-22A	Y450-8	315	380																				
	Y355L-10	185	380	3760						355	1010								1152	630	610		φ28

S型泵性能曲线图、性能参数表及安装尺寸图表

Performance Curve, Performance Parameters Table and Installation Dimensions Drawing, Table of S Pumps

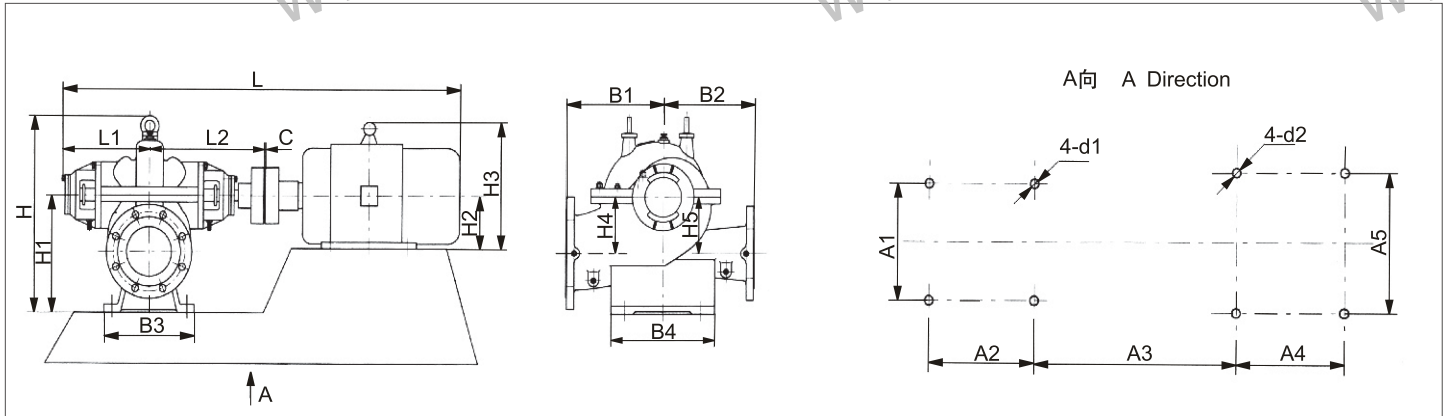
性能曲线图 Performance Curve



性能参数表 Performance Parameters

Type 泵型号	Q (m³/h) 流量	Head (m) 扬程	Efficiency (%) 效率	Power kW		r/min 转速	Weight (kg) 泵重量	(NPSH)r (m) 汽蚀余量
				轴功率 Shaft Power	电机功率 Motor Power			
800S-32	4320	35	82	502.2	630	730	5100	7
	3500	26	89	538.5				
	3000	23	80	234.9				
	4400	20	88	272.3	315	585		
	5200	18	85	299.9				
800S-32A	3500	30	81	389	450	730	7300	4.5
	4950	26	88	389				
	6000	23	86	437				
	2700	19	80	174.6	250	585		
	3960	17	87	210.7				
800S-47	4680	14	84	740.7	1000	730	7300	6.5
	4320	11	81	740.7				
	3500	4.7	90	782.2				
	5200	26	86	428.1	450	585		
	3500	45	81	530				
800S-47A	6000	36	86	664	710	730	7300	4.2
	2800	30	80	285.9				
	4060	25	88	314.1	355	585		
	4800	22	86	334.4				
		22	86	334.4				

安装尺寸图 Installation Dimensions Drawing



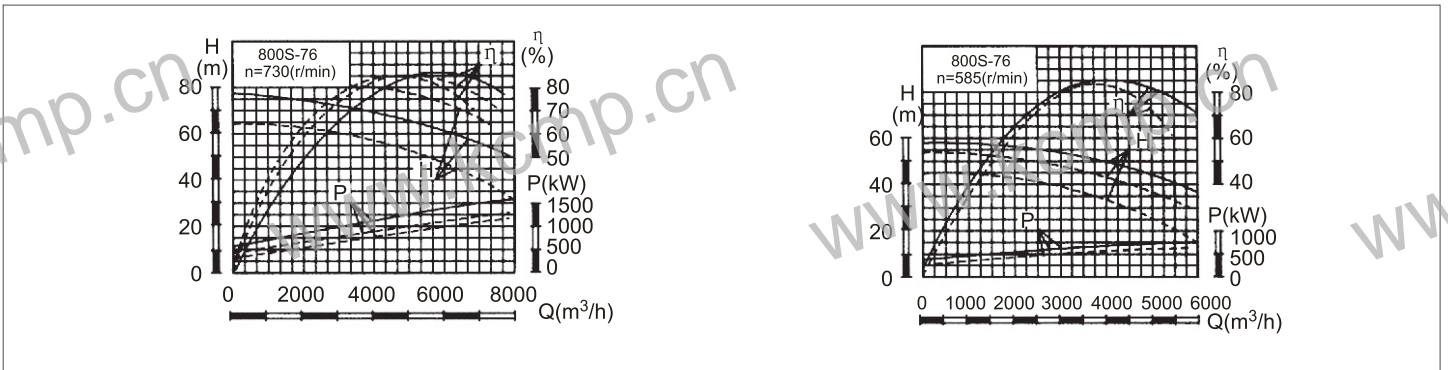
安装尺寸表 Installation Dimensions

Type 泵型号	Power kW			外形尺寸 Outline Dimensions											C	底座尺寸 Base Dimensions									
	型号 Type	功率 (kW)	电压 (V)	L	L1	L2	H	H1	H2	H3	H4	H5	B1	B2		B3	B4	A1	A2	A3	A4	A5	d1	d2	
800S-32A	Y500-8	630	6000	4680					500	1030							1000	1000	1403	1250	900		φ 42		
	Y450-10	315																							
800S-32A	Y450-8	450		4310	950	1170	1920	1200		450	930		640	640	1250	1000	1200	1300			1283	1120	800	φ 48	φ 35
	Y450-10	250																							
800S-47	Y560-8	1000		5660						560	1148							8		1818	1400	1000			
	Y500-10	450																							
800S-47A	Y500-8	710		5310	1240	1510	2105	1250		500	1030		700	850	1280	1000	1300	1700			1743	1250	900	φ 48	φ 42
	Y450-10	355		4940						450	930											1623	1120	800	

S型泵性能曲线图、性能参数表及安装尺寸图表

Performance Curve, Performance Parameters Table and Installation Dimensions Drawing, Table of S Pumps

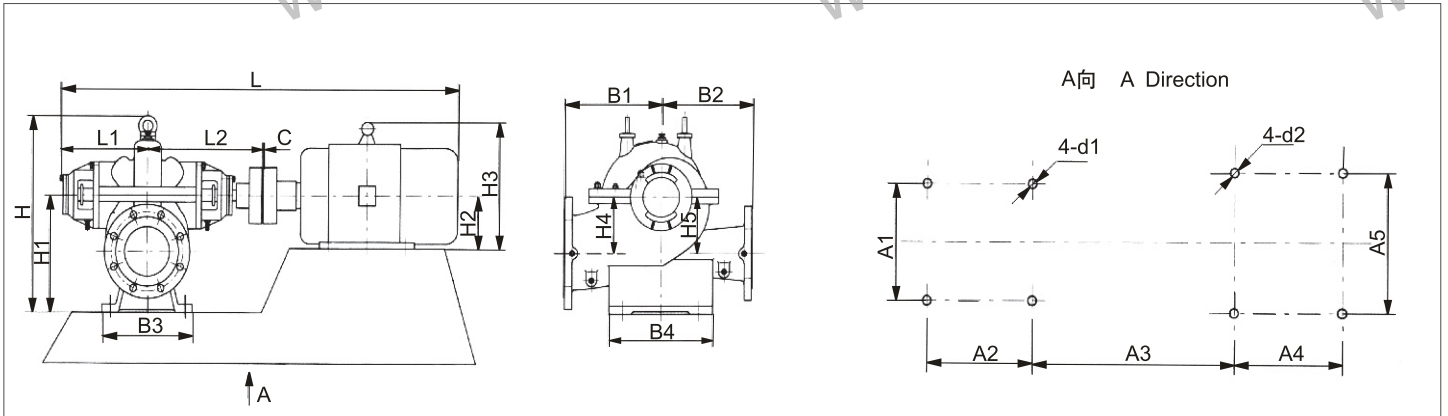
▶ **性能曲线图** Performance Curve



▶ **性能参数表** Performance Parameters

Type	Q (m³/h) Capacity 流量	Head (m) 扬程	Efficiency (%) 效率	Power kW 轴功率 Shaft Power / 电机功率 Motor Power		Speed (r/min) 转速	Weight (kg) 泵重量	(NPSH)r (m) 汽蚀余量
800S-76	4000	80	79	1103.1	1600	730	7300	6
	5500	76	88	1293.6				
	6500	71	87	1444.6				
800S-76A	3000	54	80	551.5	800	585	7300	4.2
	4400	49	87	674.9				
	5500	43	85	757.7				
	3500	70	79	845				
800S-76A	5080	65	87	1034	1250	730	7900	6
	6000	62	84	1206				
	2800	48	79	463				
	4070	42	86	541				
800S-76B	5000	37	83	607	630	585	7900	4.2
	3000	60	78	628.6				
	4680	55	85	824.7				
	5500	51	83	920.3				
800S-76B	2500	40	76	358.3	1000	730	7900	6
	3750	35	84	425.5				
	4500	30	80	459.6				

▶ **安装尺寸图** Installation Dimensions Drawing



▶ **安装尺寸表** Installation Dimensions

Type 泵型号	Power kW 功率 (kW) / 电压 (V)			外形尺寸 Outline Dimensions											C	底座尺寸 Base Dimensions						
	型号 Type	功率 (kW)	电压 (V)	L	L1	L2	H	H1	H2	H3	H4	H5	B1	B2		B3	B4	A1	A2	A3	A4	A5
800S-76	Y630-8	1600	6000	5840					630	1350							1793	1600	1120			φ48
	Y560-10	800		5640					560	1148							1763	1400	1000			φ42
800S-76A	Y630-8	1250		5840	1272	1455	2105	1250	630	1350	730	900	1360	1088	1300	1700	1793	1600	1120			φ48
	Y500-10	630		5290					500	1030							1688	1250	900			φ56
800S-76B	Y560-8	1000		5640					560	1148							1763	1400	1000			φ42
	Y500-10	500		5290					500	1030							1688	1250	900			φ42



上海凯程制泵有限公司

SHANGHAI KAICHENG PUMP CO.,LTD

地址：上海市陕西北路1438号

邮编：200060

电话：021-62989587 62989687

021-56701122 52527372

0086-21-62989871

传真：021-62989790

国内贸易邮箱：kcmp@kcmp.cn

国际贸易邮箱：Sell@kcmp.cn

公司邮箱：kaicheng@sh163.net

公司网址：<http://www.kcmp.cn>

免费咨询电话：8008207382

Add: No.1438 Shanxi North Road,Shanghai.

Zip: 200060

Tel: 021-62989587 62989687

021-56701122 52527372

0086-21-62989871

Fax: 021-62989790

Domestic Trade: kcmp@kcmp.cn

International Trade: Sell@kcmp.cn

E-mail: kaicheng@sh163.net

Web: www.kcmp.cn