

用心服务 · 品质卓越



IHK/HKG系列化工泵（淀粉泵，高温料浆泵）THC型耐腐蚀高温泵

产品说明书 Product specification

概述: General Introduction

IHK/HKG系列化工泵（淀粉泵、高温料浆泵）型为单级单吸悬臂式离心泵系列，是我公司吸收国外先进技术，在IH型化工泵的基础上升级创新而成的标准化工泵，根据国际标准ISO2585进行设计的并按国际标准ISO5199/DIS制造的，是IH型化工离心泵的派生产品，零部件尺寸已实现标准化的节能高效产品，很受客户好评。

THC型耐腐蚀高温泵为单级单吸悬臂式离心泵，是我公司吸收国外先进技术，开发的高温型化工泵，对悬臂比和后轴端配双进口轴承，大大的增加了轴的刚性和径向力及轴向力，使泵运行更加稳定，从而延长了泵的使用寿命。

IHK/HKG chemical pump (starch pump, high-temperature slurry pump) is cantilever type single stage single suction centrifugal pump series. After absorbing advanced technology in abroad and making some innovation based on IH chemical pump, we developed this international standard IHK/HKG chemical pump. It is designed according to international standard ISO2585 and produced under international ISO5199 / DIS standard. This pump is derived product of IH chemical centrifugal pump, and its spare parts' dimension has realized the standard energy-efficient products, and enjoy good reputation among the customers.

THC type anti-corrosion high temperature pump is cantilever type single stage single suction centrifugal pump. We developed the high temperature type chemical pump after absorbing foreign advanced technology. Installing the cantilever ratio and rear axle end with double imported bearing has greatly increased the shaft rigidity and radial force and axial force, making the pump running more stable and prolong its service life.

产品特点: Pumps' Characteristics

IHK/HKG/THC型特点尤为突出，8套密封形式结构，3种轴承箱冷却方式，2种叶轮形式，可靠性强，互换性好。其中密封形式可根据输送介质装配波纹管单端面机封，双端面平衡型机封，非平衡型单端面和双端面机封，外装式机封，集装式机封，填料密封以及各种带外部辅助密封。固定件有密封腔冷却，泵盖冷却，轴承箱冷却等。轴承箱有风冷，油冷，水冷3种。

有开式叶轮及闭式叶轮两种以适应不同介质用泵。

流量：3.4~460m³/h 扬程：3.6~132m 转速：1450~2900r/min。

IHK/HKG/THC type characteristics is particularly outstanding, it has 8 sets of sealing structures, 3 kinds of bearing box cooling ways, 2 kinds of impeller models, and it owns good reliability and compatibility. According to different medium, the pump can be equipped with bellows single end mechanical seal, balanced double end mechanical seal, unbalanced double end and single end mechanical seals, externally mounted mechanical seal, Cartridge mechanical seals, packing seal and various external auxiliary seals. There are seal cavity cooling, pump cover cooling, bearing box cooling, etc. Bearing box has air, oil and water cooling.

There are 2 kinds of impeller (open type and close type) for different medium.

Capacity: 3.4~460m³/h, Head: 3.6~132m, Rotate speed: 1450~2900r/m

用途: Usage

主要用于石油, 化工、合成纤维、化肥、电站、冶金、食品及医药等工业部门输送清洁或含有颗粒的液体、低温或高温的液体、中性或有腐蚀性的液体, 也可输送类似于水的腐蚀性液体。

IHK型输送介质的温度一般为 $-45^{\circ}\text{C}\sim 180^{\circ}\text{C}$ 。

HKG型输送介质温度为 $-60^{\circ}\text{C}\sim +250^{\circ}\text{C}$ 。

THC型输送 $\leq 350^{\circ}\text{C}$ 高温液体。

适用于化工、石油、冶金、制药、酿酒、发电、食品、环保等及工况恶劣的环境。

It is mainly used in oil, chemical industry, synthetic fiber, fertilizer, power plant, metallurgy, food and pharmaceuticals industrial departments to transport clean or contain grain fluid, low or high temperature liquid, neutral or corrosive liquid, also may transport the corrosive liquid which is similar to water.

Medium temperature for IHK pump is $-45\sim 180$ degree.

Medium temperature for hkg pump is $-60\sim 250$ degree.

Medium temperature for IHK pump is less than 350 degree.

Suitable for chemical, petroleum, metallurgy, pharmacy, wine, power generation, food, environmental protection and bad environment conditions.

工作条件: Working Conditions

- 1、粘度类似水的各种腐蚀介质
- 2、密度范围 $= 0.0\sim 1.84\times 10^3\text{kg/m}^3$
- 3、介质温度 $-60^{\circ}\text{C}\sim 350^{\circ}\text{C}$ 范围
- 4、系统工作压力 $\leq 1.6\text{Mpa}$
- 5、特殊情况请签订技术协议, 以便提供可靠之产品

1. Various corrosion medium (its viscosity is similar to water)

2. Density range = $0.0 \sim 1.84 \times 10^3\text{kg/m}^3$

3. Medium temperature - 60 to 400 degree

4. System working pressure less than 1.6 Mpa

5. In order to provide reliable products, plz sign technical agreement for special circumstances.

型号意义: Meaning for the model

例: IHK65-50-160A

其中:

IH—为国际标准单级单吸化工离心泵

介质高温 $-25^{\circ}\text{C}\sim 180^{\circ}\text{C}$

K—为开式叶轮, 输送带颗粒状介质, 没有标K为闭式叶轮

65—为泵吸入口直径 (mm)
50—为泵吐出口直径 (mm)
160—为叶轮名义直径 (mm)
A—为叶轮经第一次切割 (B为第二次 , C为第三次切割)

For example: IHK65-50-160A

IH-----International standard single stage single suction centrifugal chemical pump.

Medium temperature -25~180degree

K-----Open type impeller transmit medium with particles.(If there is no K, it means close type impeller.

65-----Inlet diameter (mm)

50-----Outlet diameter (mm)

160----Impeller diameter (mm)

A----First cut for impeller, B----Second cut for impeller, C----Third cut for impeller

例 : HKG65-50-160A

其中 :

H—为国际标准单级单吸化工离心泵

介质高温-40°C~250°C

K—为开式叶轮, 输送带颗粒状介质, 没有标K为闭式叶轮

65—为泵吸入口直径 (mm)

50—为泵吐出口直径 (mm)

160—为叶轮名义直径 (mm)

A—为叶轮经第一次切割 (B为第二次 , C为第三次切割)

For example: HKG65-50-160A

H-----International standard single stage single suction centrifugal chemical pump.

Medium temperature -40~250degree

K-----Open type impeller transmit medium with particles.(If there is no K, it means close type impeller.

65-----Inlet diameter (mm)

50-----Outlet diameter (mm)

160----Impeller diameter (mm)

A----First cut for impeller, B----Second cut for impeller, C----Third cut for impeller

例 : THC65-50-160A

其中 :

THC—多重冷却型耐腐蚀高温泵

介质高温≤350°C高温液体

65—为泵吸入口直径 (mm)

50—为泵吐出口直径 (mm)

160—为叶轮名义直径 (mm)

A—为叶轮经第一次切割 (B为第二次 , C为第三次切割)

For example: THC65-50-160A

THC----- Multiple cooling type anti-corrosion high temperature pump

Medium temperature less than 350 degree

65-----Inlet diameter (mm)

50-----Outlet diameter (mm)

160----Impeller diameter (mm)

A----First cut for impeller, B----Second cut for impeller, C----Third cut for impeller

泵的结构: Pumps' Structure

IHK/HKG/THC系卧式径向向后开门结构，检修时不用拆卸管路。泵体是轴向吸入，径向排出中间支撑。

轴承用稀油润滑，轴承箱装有油位计和加装水冷装置。

轴封形式可根据输送介质选用适合的密封装置。

泵通过加长联轴器由电动机直接驱动，标准配置由加长型梅花弹性联轴器，也可高配加长型膜片式联轴器。

泵的旋转方向从原动机端看为顺时针方向。

其主要部件有：泵体，叶轮，泵轴，泵盖，轴套，密封部件，中间托架，轴承箱，叶轮螺母，密封压盖，轴承，辅助部件等组成，详细件一下图表。

IHK/HKG/THC system horizontal type radial back opening doors structure, it doesn't need to move the line when making maintenance. Pump body is axial suction, radial discharge with intermediate support.
Pump bearing is with thin oil lubrication and the bearing box contains oil level meter and equipped with water cooling device.

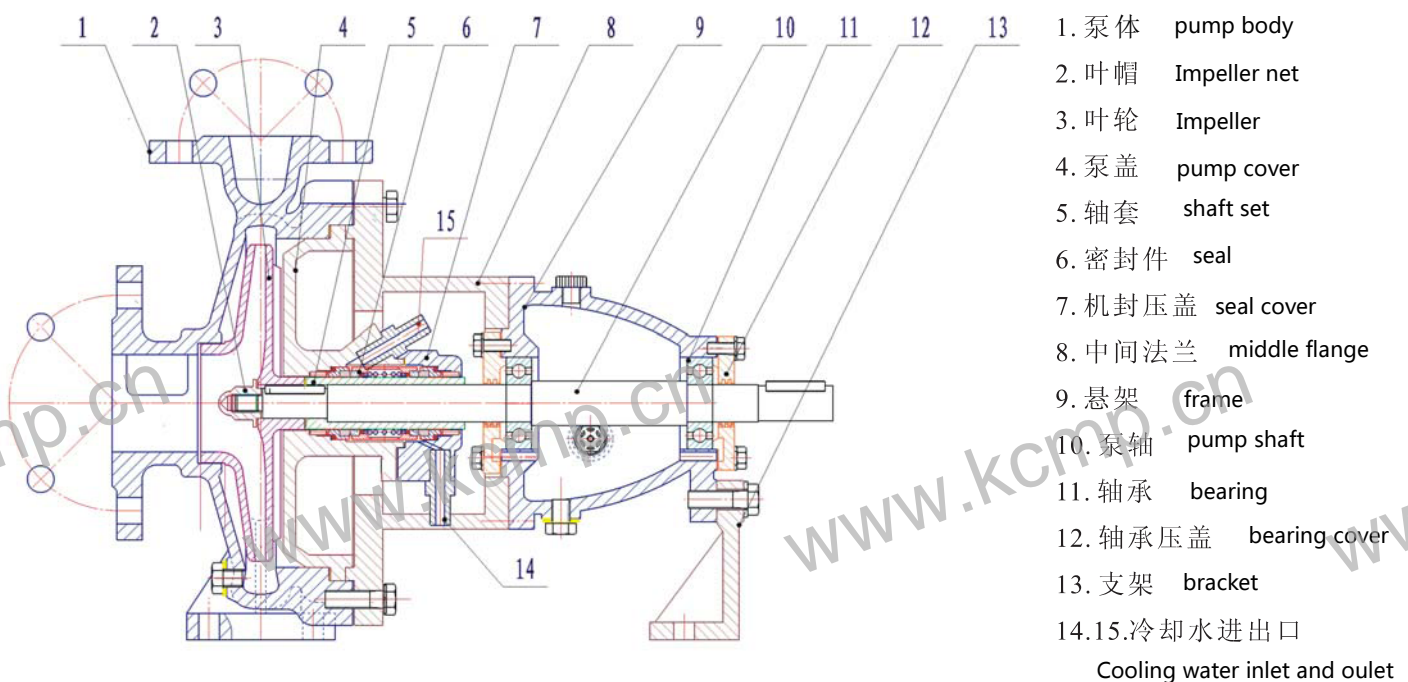
According to different medium, suitable sealing device should be chosen for shaft sealing.

Pump is directly driven by motor through the extension coupling. The standard couplings are extending blossom elastic coupling, and also extending diaphragm type coupling.

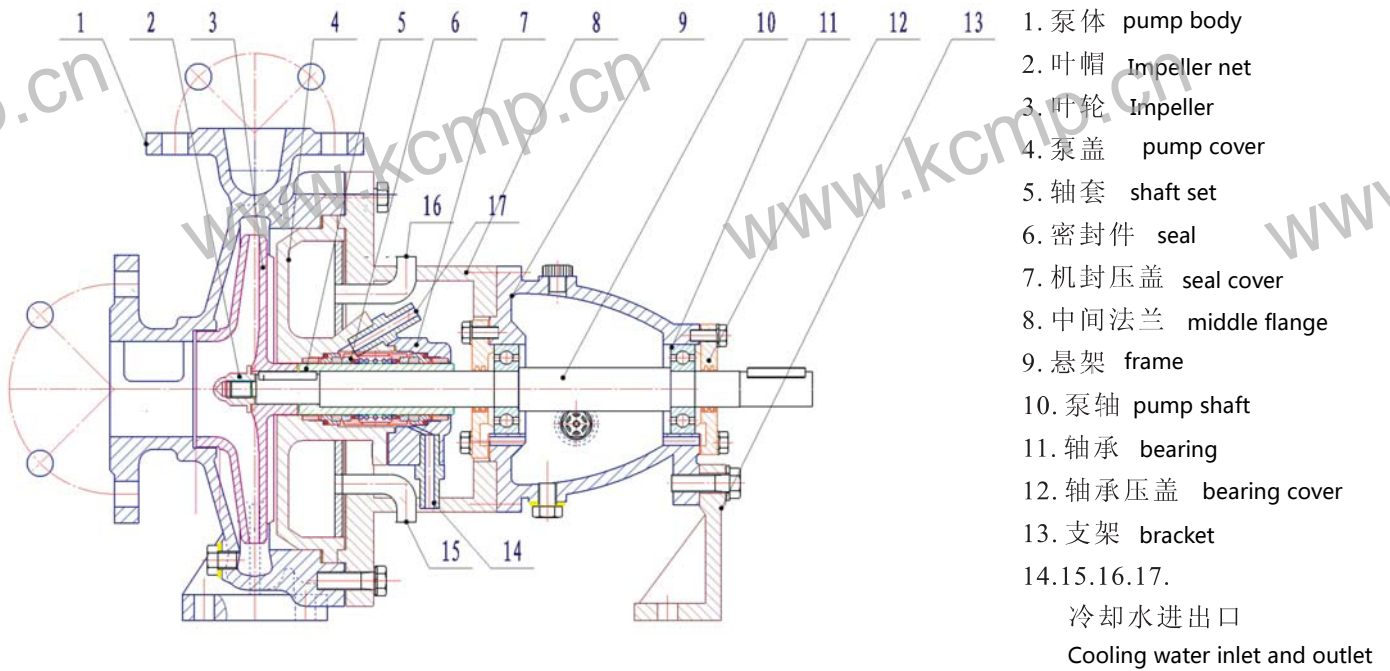
Pump is clockwise direction from the direction of prime mover.

Its main parts are: pump body, impeller, pump shaft, pump cover, shaft sleeve, sealing parts, middle bracket, bearing box, impeller nut, seal gland, bearing, accessories, etc. Following is the detailed chart.

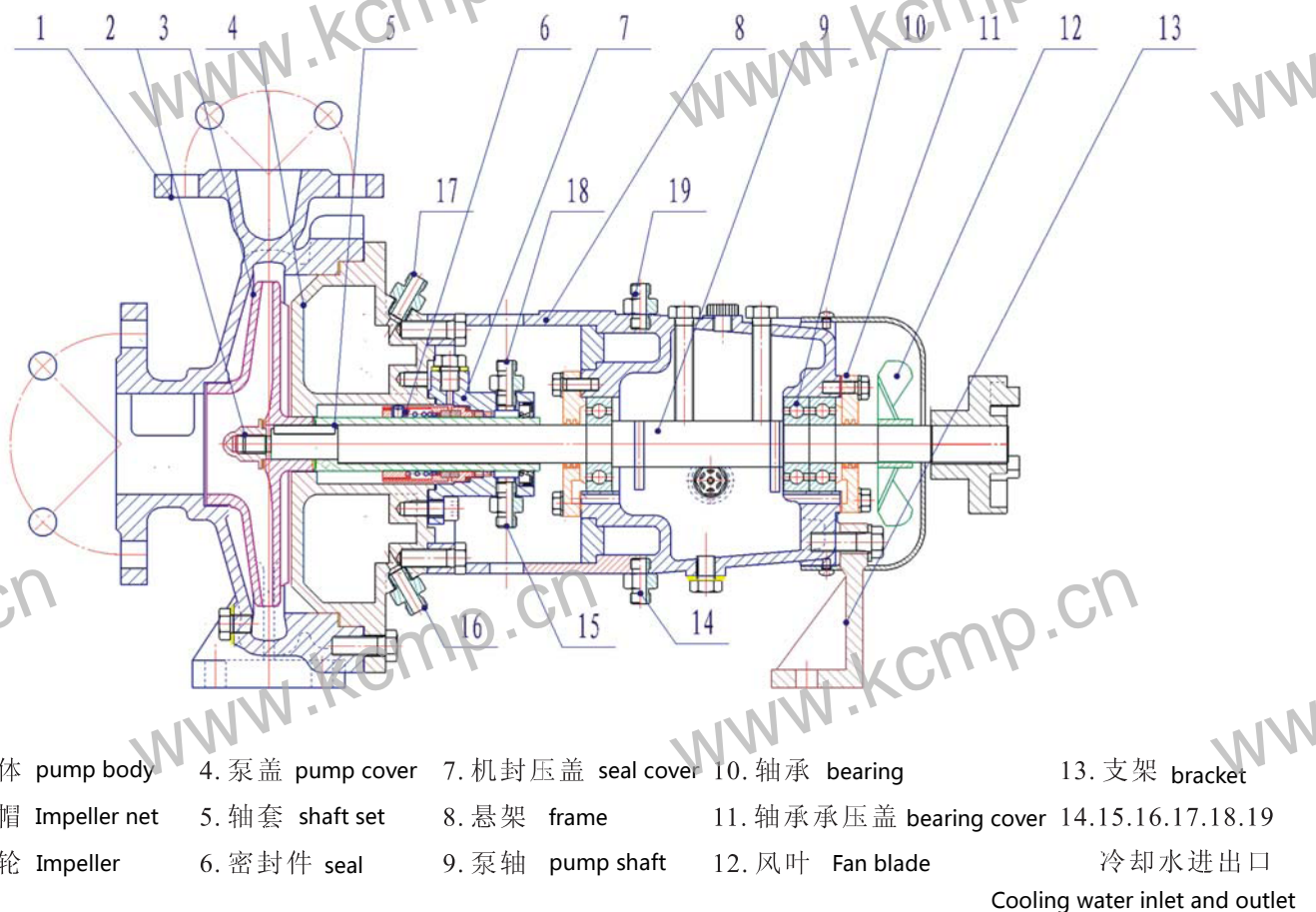
IHK型结构图 IHK type Structure diagram



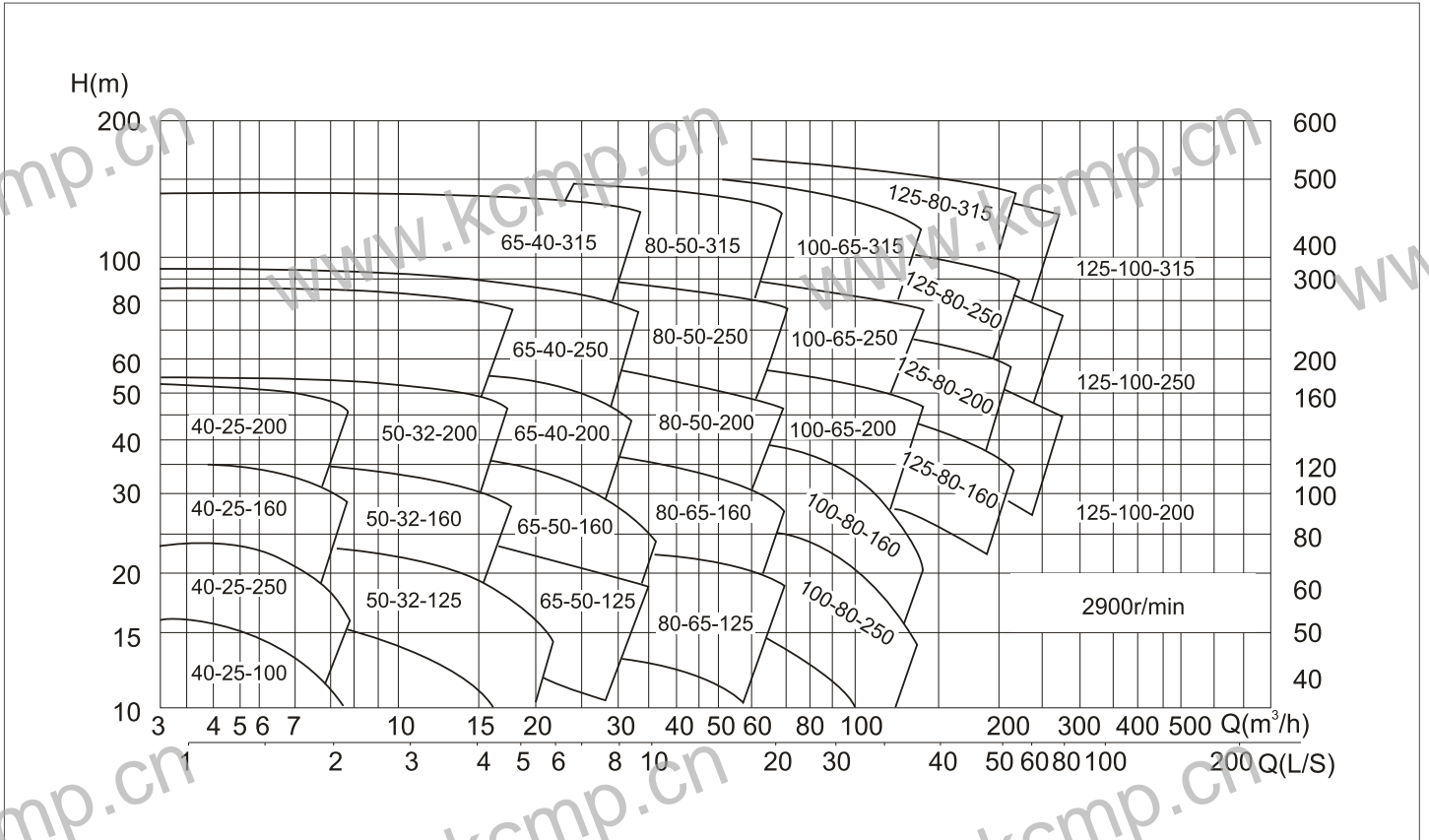
HKG型结构图 HKG type structure diagram



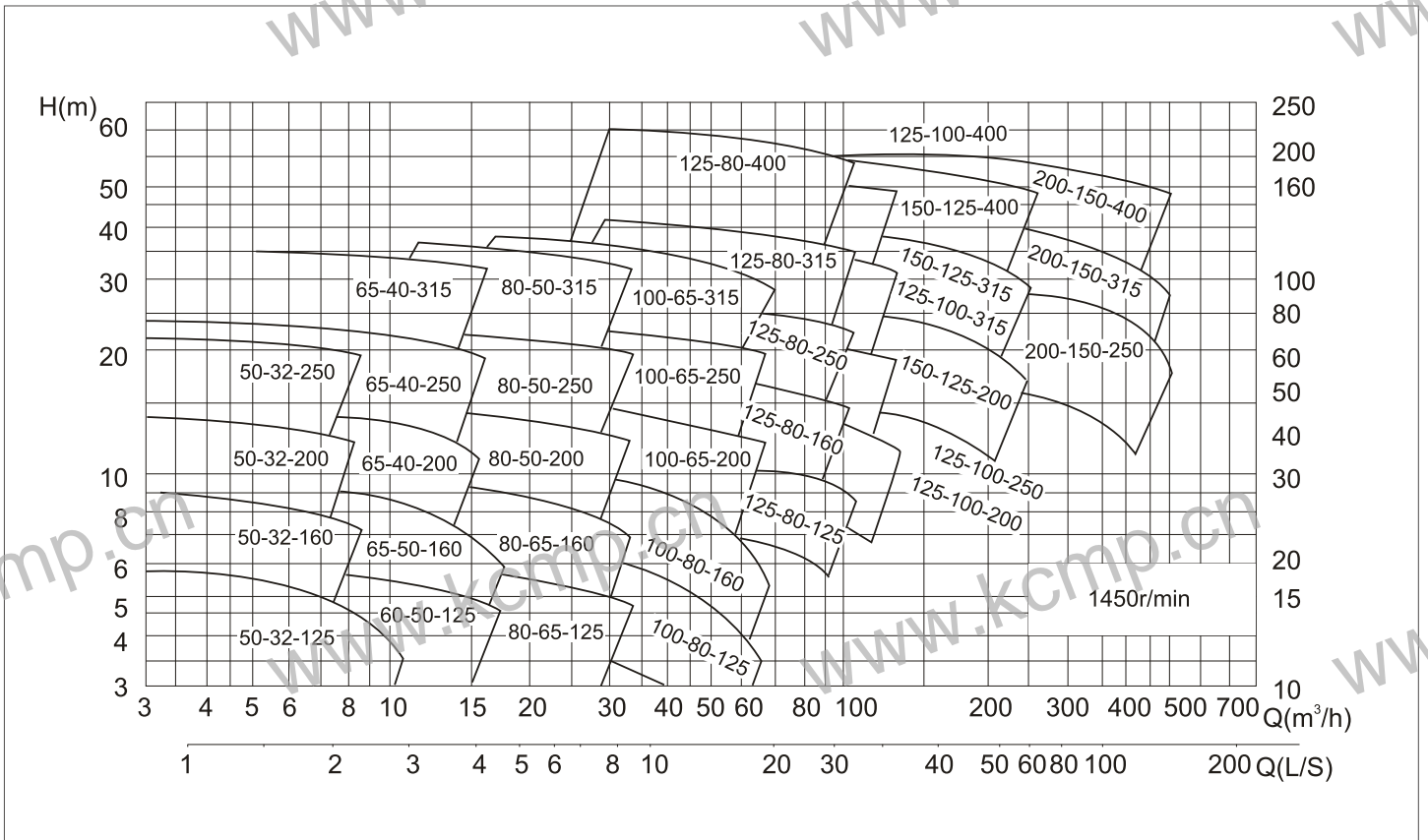
THC型结构图 THC type structure diagram



型谱图 Hydraulic Coverage



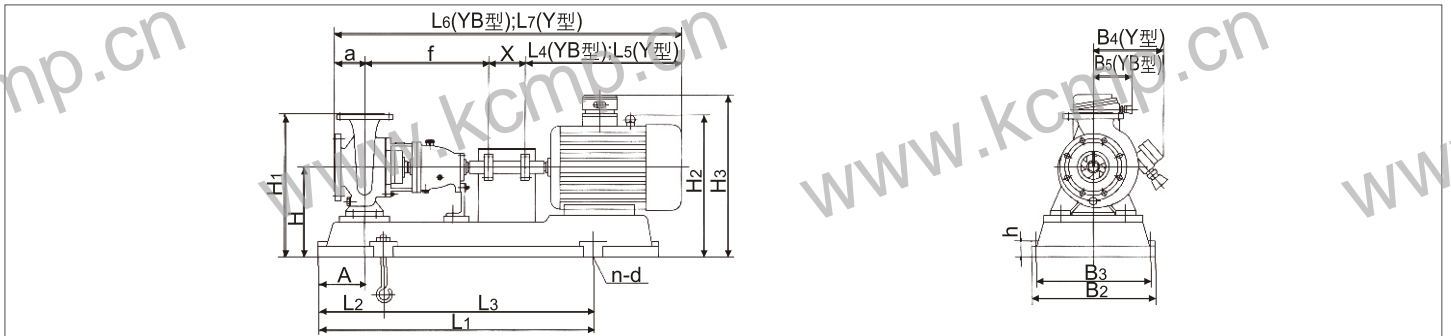
型谱图 Hydraulic Coverage



▶ 性能参数表 Performance Parameters

Type 泵型号	r/min speed 转速	流量Q Capacity		Head (m) 扬程	Efficiency η% 效率	kw 轴功率 Shaft Power			(NPSH)r (m) 必需汽蚀余量 Nevsory(NPSH)r	Pump Weight (kg) 泵重量	
		m ³ /h	L/S			轴功率 Shaft Power	配用功率 Matched power 介质密度 (g/cm ³)	1.0			1.35
50-32-125	2900	7.5 12.5 15	2.08 3.47 4.17	23 20 18	43 51 49	1.09 1.33 1.50	2.2	3	4	2.0 2.0 2.5	45
	1450	3.75 6.3 7.5	1.04 1.74 2.08	5.75 5.0 4.5	36 45 44	0.16 0.19 0.21	0.55	0.55	0.55	2.0 2.0 2.5	
50-32-125A	2900	6.8 11.3 13.6	1.89 3.14 3.78	18.8 16.4 14.7	40 50 47	0.87 1.01 1.16	1.5	2.2	3	2.0 2.0 2.5	45
	1450	3.4 5.7 6.8	0.94 1.58 1.89	4.7 4.1 3.7	34 43 42	0.13 0.15 0.16	0.55	0.55	0.55	2.0 2.0 2.5	
50-32-160	2900	7.5 12.5 15.0	2.08 3.47 4.17	34.5 32 30	33 46 50	2.13 2.37 2.45	3	4	5.5	2.0 2.0 2.5	49
	1450	3.75 6.3 7.5	1.04 1.74 2.08	8.6 8.0 7.5	29 40 43	0.30 0.34 0.36	0.55	0.75	1.1	2.0 2.0 2.5	
50-32-160A	2900	6.8 11.3 13.6	1.89 3.14 3.78	28.5 26.4 24.8	32 44 47	1.65 1.85 1.95	3	4	5.5	2.0 2.0 2.5	49
	1450	3.4 5.7 6.8	0.94 1.58 1.89	7.1 6.6 6.2	28 39 42	0.23 0.26 0.27	0.55	0.55	0.75	2.0 2.0 2.5	
50-32-160B	2900	6.3 10.5 12.6	1.75 2.92 3.5	24 22 21	30 42 45	1.37 1.50 1.60	2.2	3.0	4.0	2.0 2.0 2.5	49
	1450	3.15 5.25 6.3	0.88 1.46 1.75	6.0 5.5 5.0	27 38 41	0.19 0.21 0.21	0.55	0.55	0.55	2.0 2.0 2.5	

▶ 安装尺寸图 Installation Dimensions Drawing



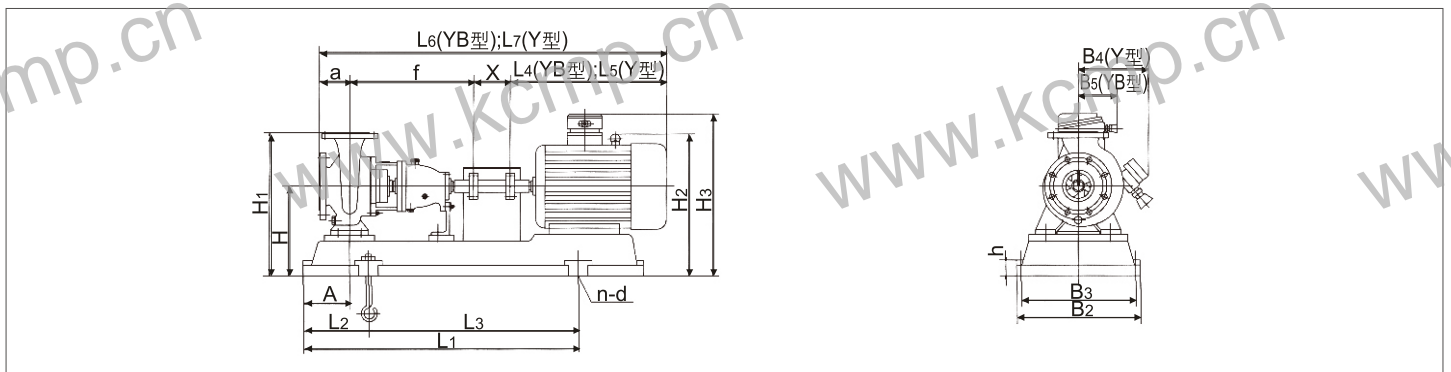
▶ 安装尺寸表 Installation Dimensions

Type 泵型号	配套电机 Matched motor		安装尺寸 Installation Dimensions																						
	机座号 Motor Seat No.	功率 Power KW	A	L1	L2	L3	L4	L5	a	f	x	L6	L7	B2	B3	B4	B5	H2	H3	h	H	H1	n-d		
50-32-125	YB 801-4	0.55		820	150	540	330	285				895	850	360	320	150		287	457	25					
	YB 802-2	1.1																							
	Y 90S-2	1.5	80				360	310	80	385	100	925	875				225					197	337	4-φ 18.5	
	YB 90L-2	2.2		920	170	600	385	335				950	900	390	350						30				
	YB 100L-2	3					430	380				995	945			180									
50-32-160	YB 801-4	0.55		820	150	540	330	285				895	850	360	320	150		307	477	25					
	YB 802-4	0.75																							
	Y 90S-4	1.1					360	310				925	875			155	225	317	482			217	337	4-φ 18.5	
	YB 90L-2	2.2	80	920	170	600	385	335	80	385	100	950	900	390	350						30				
	YB 100L-2	3					430	380				995	945			180									
	Y 112M-2	4					460	400				1025	965			190									
	YB 132S1-2	5.5		1020	190	660	510	475				1075	1040	450	400	210	240	440	595				257	417	4-φ 24

▶ 性能参数表 Performance Parameters

Type 泵型号	r/min speed 转速	流量Q Capacity		Head (m) 扬程	Efficiency η% 效率	kw 轴功率 Shaft Power			(NPSH)r (m) 必需汽蚀余量 Necessary(NPSh)r	Pump Weight (kg) 泵重量	
		m ³ /h	L/S			轴功率 Shaft Power	配用功率 Matched power 介质密度 (g/cm ³)	1.0			1.35
50-32-200	2900	7.5	2.08	51.8	28	3.78	5.5	7.5	11	2.0	59
		12.5	3.47	50	39	4.36				2.0	
15.0		4.17	48	43	4.56	2.5					
50-32-200A	1450	3.75	1.04	12.9	23	0.57	1.1	1.1	1.5	2.0	59
		6.3	1.74	12.5	33	0.65				2.0	
		7.5	2.08	12.0	36	0.68				2.5	
50-32-200A	2900	6.8	1.89	42.5	27	2.91	4	5.5	7.5	2.0	59
		11.3	3.14	41	38	3.32				2.0	
		13.6	3.78	39.5	42	3.48				2.5	
50-32-200B	1450	3.4	0.94	10.6	22	0.44	0.75	1.1	1.5	2.0	59
		5.7	1.58	10.3	32	0.50				2.0	
		6.8	1.89	9.9	35	0.52				2.5	
50-32-200B	2900	6.3	1.75	37	26	2.44	4	5.5	7.5	2.0	59
		10.5	2.92	35.5	37	2.75				2.0	
		12.6	3.5	34	41	2.85				2.5	
50-32-200B	1450	3.15	0.88	9.5	21	0.39	0.55	0.75	1.1	2.0	59
		5.25	1.46	9.0	31	0.42				2.0	
		6.3	1.75	8.5	34	0.43				2.5	

▶ 安装尺寸图 Installation Dimensions Drawing



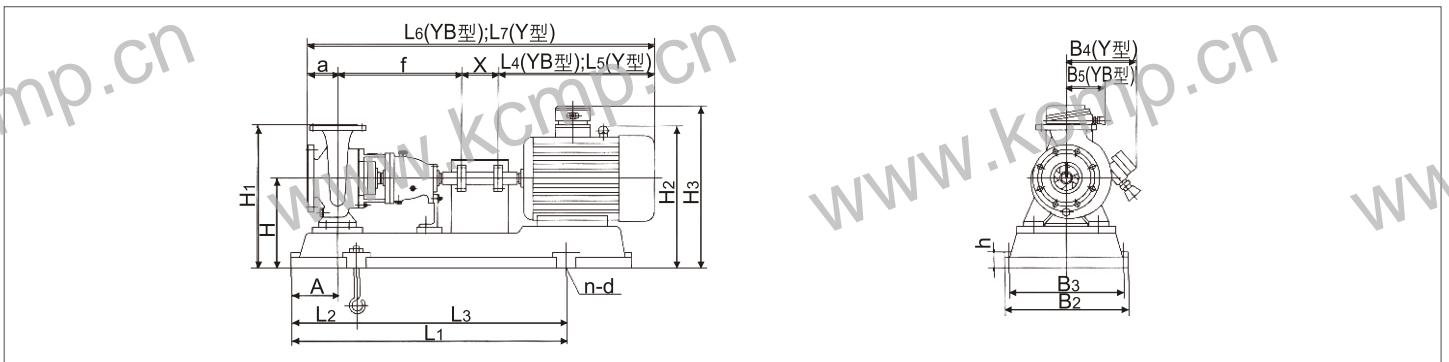
▶ 安装尺寸表 Installation Dimensions

Type 泵型号	配套电机 Matched motor		安装尺寸 Installation Dimensions																							
	机座号 Motor Seat No.	功率 Power KW	A	L ₁	L ₂	L ₃	L ₄	L ₅	a	f	X	L ₆	L ₇	B ₂	B ₃	B ₄	B ₅	H ₂	H ₃	h	H	H ₁	n-d			
50-32-200	Y YB	801-4	0.55																							
	Y YB	802-4	0.75	820	150	540	330	285				895	850	360	320	150		335	505	25						
	Y YB	90S-4	1.1	80			360	310				925	875				225								4-φ 18.5	
	Y YB	90L-4	1.5	920	170	600	385	335				950	900	390	350				345	510			245	425		
	Y YB	112M-2	4.0				460	400	80	385	100	1025	965				190		398	533	30					
	Y YB	132S1-2	5.5									1075	1040	450	400	210			428	583						4-φ 24
	Y YB	132S2-2	7.5	95	1020	190	660	510	475								240									
	Y YB	160M1-2	11	80	1140	210	740	655	600				1220	1165	490	440	255		485	630			260	440		

性能参数表 Performance Parameters

Type 泵型号	r/min speed 转速	流量Q Capacity		Head (m) 扬程	Efficiency η% 效率	kw 轴功率 Shaft Power			(NPSH)r (m) 必需汽蚀余量 Necessary(NPSH)r	Pump Weight (kg) 泵重量	
		m³/h	L/S			轴功率 Shaft Power	配用功率 Matched power	介质密度 (g/cm³)			
50-32-250	2900	7.5 12.5 15.0	2.08 3.47 4.17	82 80 78.5	23 33 36.5	7.28 8.25 8.79	11	15	18.5	2.0 2.0 2.5	93
	1450	3.75 6.3 7.5	1.04 1.74 2.08	20.5 20 19.6	17 27 31	1.23 1.27 1.29	2.2	2.2	3.0	2.0 2.0 2.5	93
50-32-250A	2900	7.0 11.7 14.0	1.94 3.25 3.89	72 70 68.5	22 32 35.5	6.24 7.0 7.36	11	15	18.5	2.0 2.0 2.5	93
	1450	3.5 5.9 7.0	0.97 1.64 1.94	18 17.5 17	16 26 30	1.07 1.08 1.09	1.5	2.2	3.0	2.0 2.0 2.5	93
50-32-250B	2900	6.6 11 13	1.83 3.06 3.61	63.5 62 61	20 30 34	5.71 6.19 6.35	7.5	11	15	2.0 2.0 2.5	93
	1450	3.3 5.5 6.5	0.92 1.53 1.81	15.9 15.5 15.2	15 25 29	0.95 0.93 0.93	1.5	2.2	2.2	2.0 2.0 2.5	93

安装尺寸图 Installation Dimensions Drawing



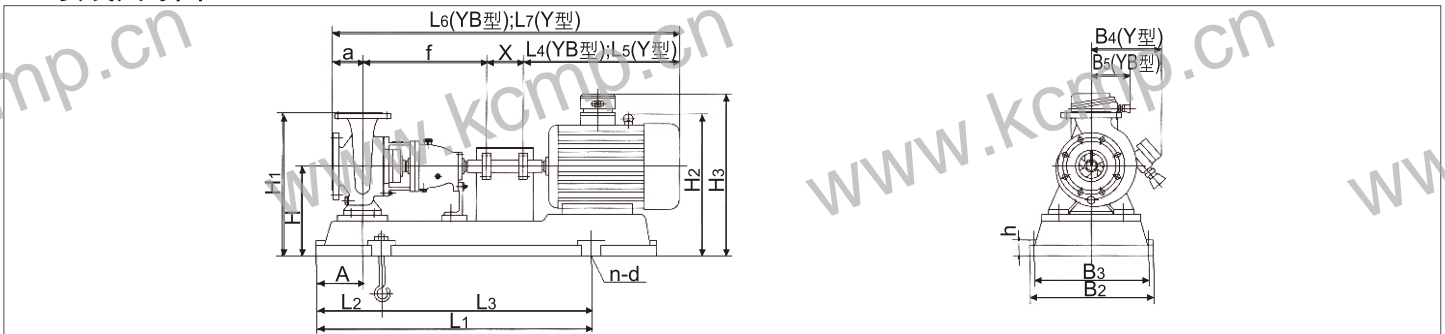
安装尺寸表 Installation Dimensions

Type 泵型号	配套电机 Matched motor		安装尺寸 Installation Dimensions																					
	机座号 Motor Seat No.	功率 Power KW	A	L1	L2	L3	L4	L5	a	f	x	L6	L7	B2	B3	B4	B5	H2	H3	h	H	H1	n-d	
50-32-250	Y YB 90S-4	1.1					360	310				1060	1010			155		405	570		305	530		
	Y YB 90L-4	1.5		1020			385	335				1085	1035											
	Y YB 100L1-4	2.2			190	660								450	400		225							
	Y YB 100L2-4	3		1070			430	380				1130	1080			180		410	545	30	265	490		
	Y YB 132S2-2	7.5	95	1140	210	740	510	475	100	500	100	1210	1175	490	440	210		503	658		320	545	4-φ24	
	Y YB 160M1-2	11					655	600				1355	1300											
	Y YB 160M2-2	15		1270													255	240	525	670	40	300	525	
	Y YB 160L-2	18.5			225	840						1395	1345			540	490							
	Y YB 180M-2	22		1290			730	670				1430	1370				285		590	725	30	340	565	

性能参数表 Performance Parameters

Type 泵型号	r/min 转速	流量Q Capacity		Head (m) 扬程	Efficiency 效率 η%	轴功率 Shaft Power	kw 匹配功率 Matched power			(NPSH)r 必需汽蚀余量 Nesvory(NPSH)r	Pump Weight (kg) 泵重量
		m ³ /h	L/S				1.0	1.35	1.85		
65-50-125	2900	15 25 30	4.17 6.94 8.33	21.3 20 18.6	47 62 63	1.85 2.2 2.4	3.0	4.0	5.5	2.0 2.0 2.5	47
	1450	7.5 12.5 15.0	2.08 3.47 4.17	5.4 5.0 4.5	44 55 56	0.25 0.31 0.33	0.55	0.55	0.75	2.0 2.0 2.5	
65-50-125A	2900	13.6 22.7 27.3	3.78 6.31 7.58	17.6 16.5 15.4	45 60 61	1.45 1.70 1.88	2.2	3	4	2.0 2.0 2.5	47
	1450	6.8 11.3 13.6	1.89 3.14 3.78	4.4 4.1 3.8	42 53 54	0.19 0.24 0.26	0.55	0.55	0.55	2.0 2.0 2.5	
65-50-125B	2900	12 20 24	3.33 5.56 6.67	14 13 12	44 59 60	1.04 1.2 1.31	1.5	2.2	3.0	2.0 2.0 2.5	47
	1450	6.0 10 12	1.67 2.78 3.33	3.5 3.2 3.0	41.5 48.5 48	0.14 0.18 0.20	0.55	0.55	0.55	2.0 2.0 2.5	
65-50-160	2900	15 25 30	4.17 6.94 8.33	34.2 32 30	44 57 59	3.18 3.82 4.15	5.5	7.5	11	2.0 2.0 2.5	53
	1450	7.5 12.5 15.0	2.08 3.47 4.17	8.55 8.0 7.5	39 51 52.5	0.45 0.53 0.58	0.75	1.1	1.5	2.0 2.0 2.5	
65-50-160A	2900	13.6 22.7 27.3	3.78 6.31 7.58	28.4 26.5 24.8	43 56 58	2.45 2.93 3.18	4	5.5	7.5	2.0 2.0 2.5	53
	1450	6.8 11.3 13.6	1.89 3.14 3.78	7.1 6.6 6.2	37 49 51	0.36 0.41 0.45	0.55	0.75	1.1	2.0 2.0 2.5	
65-50-160B	2900	12.6 21.0 25.2	3.5 5.83 7.0	24 22.5 21	42 55 57	1.96 2.34 2.53	3	4	5.5	2.0 2.0 2.5	53
	1450	6.3 10.5 12.6	1.75 2.92 3.5	6.0 5.6 5.2	36 48 50	0.29 0.33 0.36	0.55	0.75	1.1	2.0 2.0 2.5	

安装尺寸图 Installation Dimensions Drawing



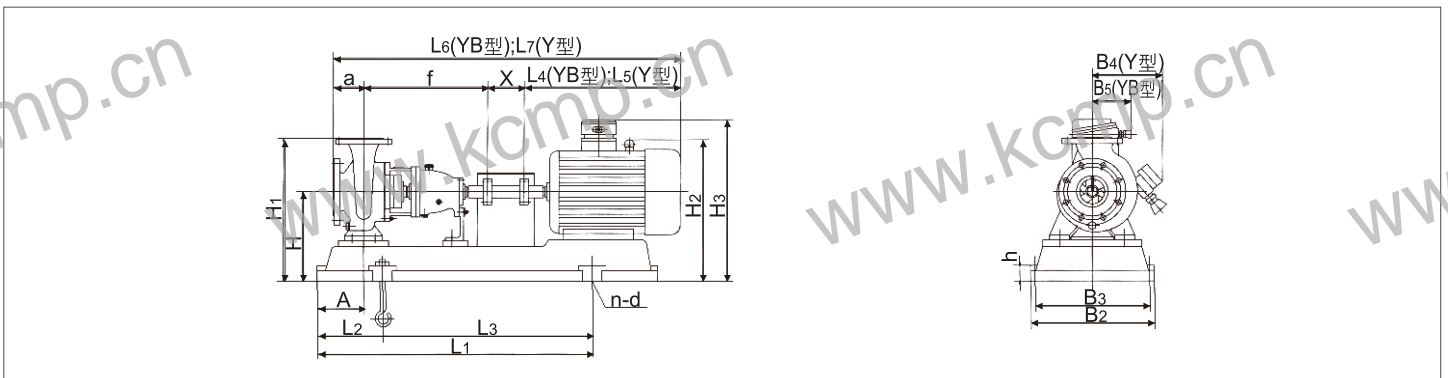
安装尺寸表 Installation Dimensions

Type 泵型号	配套电机 Matched motor		安装尺寸 Installation Dimensions																														
	机座号 Motor Seat No.	功率 Power KW	A	L1	L2	L3	L4	L5	a	f	x	L6	L7	B2	B3	B4	B5	H2	H3	h	H	H1	n-d										
65-50-125	YB 801-4	0.55	80	820	150	540	330	285	80	385	100	895	850	360	320	150	225	287	457	25	197	337	4-φ 18.5										
	YB 802-2	0.75																															
	YB 90L-2	2.2																						385	335	950	900	155	297	462			
	YB 100L-2	3																						430	380	995	945	180	342	477			
	YB 112M-2	4																						460	400	1025	965	190	390	525			
YB 132S1-2	5.5	510	475	1075	1040	210	420	575	237	377	4-φ 24																						
60-50-160	YB 801-4	0.55	80	820	150	540	330	285	80	385	100	895	850	360	320	150	225	307	477	25	217	377	4-φ 18.5										
	YB 802-4	0.75																															
	YB 90S-4	1.1																						360	310	925	875	155	317	482			
	YB 90L-4	1.5																						385	335	950	900	180	362	497			
	YB 100L-2	3.0																						430	380	995	945	190	370	505			
	YB 112M-4	4.0																						460	400	1025	965	190	370	505			
	YB 132S1-4	5.5																						510	475	1075	1040	210	440	595	257	417	4-φ 24
	YB 132S2-2	7.5																						510	475	1075	1040	210	440	595			
	YB 160M1-2	11																						655	600	1220	1165	255	482	627			

▶ 性能参数表 Performance Parameters

Type 泵型号	r/min speed 转速	流量Q Capacity		Head (m) 扬程	Efficiency η% 效率	轴功率 Shaft Power	kw 匹配功率 Matched power			(NPSH)r (m) 必需汽蚀余量 Necessary(NPSH) _r	Pump Weight (kg) 泵重量
		m ³ /h	L/S				介质密度 (g/cm ³)				
65-40-200	2900	15	4.17	53.2	41	5.30	11	11	15	2.0	63
		25	6.94	50	52	6.55				2.0	
		30	8.33	47.6	53.5	7.27				2.5	
	1450	7.5	2.08	13.3	35	0.78	1.5	2.2	2.2	2.0	63
		12.5	3.47	12.5	46	0.93				2.0	
		15.0	4.17	11.9	47.5	1.02				2.5	
65-40-200A	2900	14	3.89	46.5	39	4.55	7.5	11	15	2.0	63
		23.4	6.5	44	50	5.6				2.0	
		28	7.78	42	52	6.16				2.5	
	1450	7.0	1.94	11.6	34	0.65	1.1	1.5	2.2	2.0	63
		11.7	3.25	11	45	0.78				2.0	
		14.0	3.89	10.5	46	0.87				2.5	
65-40-200B	2900	12.6	3.5	38	38	3.43	5.5	7.5	11	2.0	63
		21.0	5.83	36	49	4.2				2.0	
		25.2	7.0	34	51	4.58				2.5	
	1450	6.3	1.75	9.5	33	0.49	0.75	1.1	1.5	2.0	63
		10.5	2.92	9.0	44	0.58				2.0	
		12.6	3.5	8.5	45	0.65				2.5	

▶ 安装尺寸图 Installation Dimensions Drawing



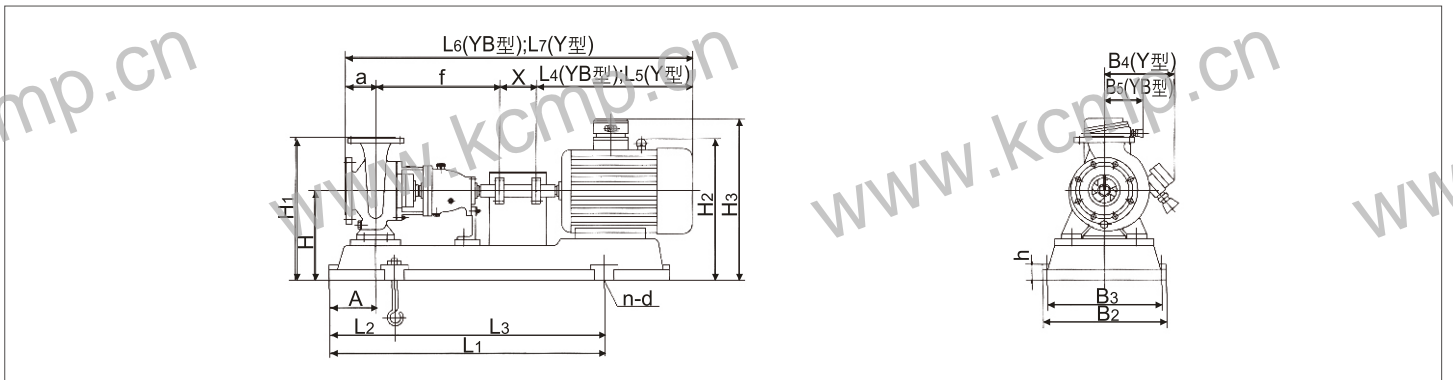
▶ 安装尺寸表 Installation Dimensions

Type 泵型号	配套电机 Matched motor		安装尺寸 Installation Dimensions																					
	机座号 Motor Seat No.	功率 Power KW	A	L1	L2	L3	L4	L5	a	f	x	L6	L7	B2	B3	B4	B5	H2	H3	h	H	H1	n-d	
65-40-200	Y YB 802-4	0.75					330	285				915	870			150		335	505					
	Y YB 90S-4	1.1	80	920	170	600	360	310				945	895	390	350	155	225	345	510	30	245	425	4-φ 18.5	
	Y YB 90L-4	1.5					385	335			970	920												
	Y YB 100L1-4	2.2					430	380				1015	965			180		390	525					
	Y YB 132S1-2	5.5	95	1020	190	660	510	475	100	385	100	1095	1060	450	400	210	240	428	583	30	260	440	4-φ 24	
	Y YB 132S2-2	7.5																						
	Y YB 160M1-2	11	80	1140	210	740	655	600	100	385	100	1240	1185	490	440	255	485	630	30	260	440	4-φ 24		
	Y YB 160M2-2	15																						

▶ 性能参数表 Performance Parameters

Type 泵型号	r/min speed 转速	流量Q Capacity		Head (m) 扬程	Efficiency $\eta\%$ 效率	kw 轴功率 Shaft Power			(NPSH) _r (m) 必需汽蚀余量 Necessary (NPSH) _r	Pump Weight (kg) 泵重量	
		m ³ /h	L/S			配用功率 Matched power 介质密度 (g/cm ³)					
						1.0	1.35	1.85			
65-40-250	2900	15	4.17	81.2	34	9.76	15	22	30	2.0	99
		25	6.94	80	46	11.84				2.0	
		30	8.33	78.4	50	12.8				2.5	
	1450	7.5	2.08	20.3	28	1.48	2.2	3	4	2.0	99
		12.5	3.47	20	39	1.75				2.0	
		15.0	4.17	19.6	43	1.86				2.5	
65-40-250A	2900	14	3.89	71	32	8.5	15	18.5	30	2.0	99
		23.4	6.5	70	44	10.14				2.0	
		28	7.78	68.5	47.5	11				2.5	
	1450	7.0	1.94	17.8	27	1.26	2.2	3	4	2.0	99
		11.7	3.25	17.5	38	1.47				2.0	
		14	3.89	17.2	42	1.56				2.5	
65-40-250B	2900	13.2	3.67	62.8	31	7.28	11	15	22	2.0	99
		22	6.11	61.8	43	8.61				2.0	
		26.4	7.33	60	47	9.18				2.5	
	1450	6.6	1.83	15.7	26	1.09	1.5	2.2	3	2.0	99
		11	3.06	15.5	37	1.25				2.0	
		13.2	3.67	14.5	41	1.27				2.5	

▶ 安装尺寸图 Installation Dimensions Drawing



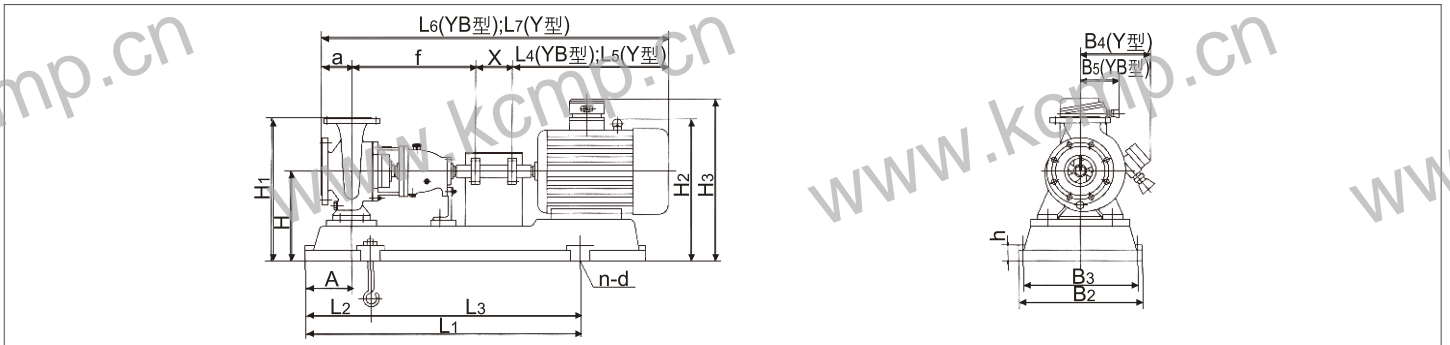
▶ 安装尺寸表 Installation Dimensions

Type 泵型号	配套电机 Matched motor		安装尺寸 Installation Dimensions																					
	机座号 Motor Seat No.	功率 Power KW	A	L1	L2	L3	L4	L5	a	f	x	L6	L7	B2	B3	B4	B5	H2	H3	h	H	H1	n-d	
65-40-250	YB 90S-4	1.1	1020				360	310				1060	1010			155		405	570	30	305	530	4-φ24	
	YB 90L-4	1.5					385	335				1085	1035					405	570					
	YB 100L1-4	2.2	1070		190	660	430	380				1130	1080	450	400	180		410	545	30	265	490		
	YB 100L2-4	3					460	400				1160	1100					410	545					
	YB 112M-4	4	1270				460	400				1160	1100			190		418	553	30	340	565		
	YB 160M1-2	11					655	600				1355	1300					525	670					
	YB 160M2-2	15	1270		225	840	655	600				1355	1300	540	490	255	240	525	670	40	300	525		
	YB 160L-2	18.5					695	645				1395	1345					525	670					
	YB 180M-2	22	1290				730	670				1430	1370			285		590	725	30	340	565		
	YB 200L1-2	30					805	775				1505	1475					610	550					
				1420	250	940	805	775				1505	1475	610	550	310	290	635	785	40	360	585		4-φ28

性能参数表 Performance Parameters

Type 泵型号	r/min speed 转速	流量Q Capacity		Head (m) 扬程	Efficiency $\eta\%$ 效率	kw 轴功率 Shaft Power			(NPSH)r (m) 必需汽蚀余量 Necessary(NPSH)r	Pump Weight (kg) 泵重量	
		m ³ /h	L/S			轴功率	配套功率 Matched power 介质密度 (g/cm ³)				
65-40-315	2900	15	4.17	126.8	28	18.5	30	37	55	2.0	116
		25	6.94	125	39	21.8				2.0	
		30	8.33	124	42.5	23.8				2.5	
65-40-315A	1450	7.5	2.08	32.4	22	3.0	5.5	5.5	7.5	2.0	116
		12.5	3.47	32.0	33	3.3				2.0	
		15.0	4.17	31.7	37	3.5				2.5	
65-40-315A	2900	14	3.89	111.5	27	15.74	30	37	45	2.0	116
		23.4	6.5	109.5	38	18.36				2.0	
		28	7.78	108.5	41	20.2				2.5	
65-40-315B	1450	7.0	1.94	27.9	21	2.53	4	5.5	7.5	2.0	116
		11.7	3.25	27.4	32	2.73				2.0	
		14.0	3.89	27.1	36	2.87				2.5	
65-40-315B	2900	13.2	3.67	98	26	13.55	22	30	37	2.0	116
		22	6.11	96.5	37	15.63				2.0	
		26.4	7.33	95.9	40	17.24				2.5	
65-40-315C	1450	6.6	1.83	24.5	20	2.2	3	4	5.5	2.0	116
		11	3.06	24.1	31	2.33				2.0	
		13.2	3.67	24	35	2.46				2.5	
65-40-315C	2900	12.3	3.42	85.3	25	11.43	18.5	22	30	2.0	116
		20.5	5.69	84.1	36	13.04				2.0	
		24.6	6.83	83	39	14.26				2.5	
65-40-315C	1450	6.2	1.72	21.3	19	1.89	3.0	4.0	5.5	2.0	116
		10.3	2.86	21	30	1.96				2.0	
		12.3	3.42	20.8	34	2.05				2.5	

安装尺寸图 Installation Dimensions Drawing



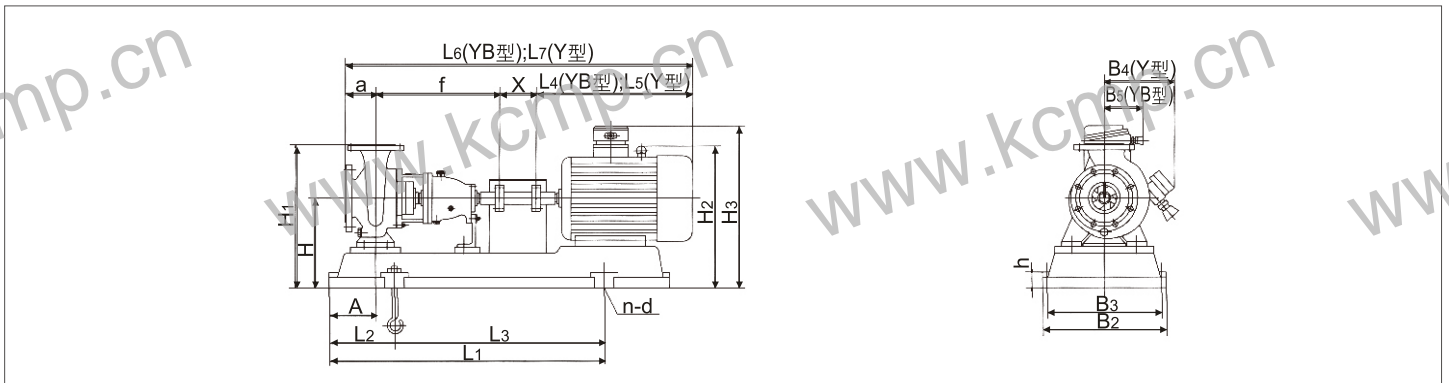
安装尺寸表 Installation Dimensions

Type 泵型号	配套电机 Matched motor		安装尺寸 Installation Dimensions																						
	机座号 Motor Seat No.	功率 Power KW	A	L1	L2	L3	L4	L5	a	f	x	L6	L7	B2	B3	B4	B5	H2	H3	h	H	H1	n-d		
65-40-315	Y YB 100L-4	3					430	380				1155	1105			180	255	445	580						
	Y YB 112M-4	4					460	400				1185	1125			190		453	588						
	Y YB 132S-4	5.5		1140	210	740		510	475				1235	1200	490	440					30				
	Y YB 132M-4	7.5					550	515				1275	1240			210		523	678						
	Y YB 160M1-2	11		95				655	600															4-φ24	
	Y YB 160M2-2	15						655	600	125	500	100	1380	1325			255		545	690					
	Y YB 160L-2	18.5		1290	225	840		695	645				1420	1370	540	490									
	Y YB 180M-2	22						730	670				1455	1395			285		610	745	40	360	610		
	Y YB 200L1-2	30						805	775				1530	1500			310		655	805					
	Y YB 200L2-2	37		110	1420	250	940		805	775					610	550	290					380	630	4-φ28	
	Y YB 225M-2	45						840	815				1565	1540			345		685	825					

性能参数表 Performance Parameters

Type 泵型号	r/min speed 转速	流量Q Capacity		Head (m) 扬程	Efficiency η% 效率	kw 轴功率 Shaft Power			(NPSH)r (m) 必需汽蚀余量 Necessary (NPSH) _r	Pump Weight (kg) 泵重量	
		m ³ /h	L/S			轴功率 Shaft Power	配用功率 Matched power 介质密度 (g/cm ³)	配用功率 Matched power			
80-65-125	2900	30 50 60	8.33 13.9 16.7	23.2 20 17.6	60 69 67	3.16 3.95 4.30	5.5	7.5	11	3.0 3.0 4.0	52
	1450	15 25 30	4.17 6.94 8.33	5.8 5.0 4.4	54 64 62	0.44 0.53 0.58	0.75	1.1	1.5	2.5 2.5 3.0	52
80-65-125A	2900	27.2 45.3 54.4	7.56 12.58 15.11	19.1 16.5 14.5	58 67 65	2.44 3.04 3.30	4	5.5	7.5	3.0 3.0 4.0	52
	1450	13.6 22.6 27.2	3.78 6.28 7.56	4.8 4.1 3.6	52 62 60	0.34 0.41 0.44	0.55	0.75	1.1	2.5 2.5 3.0	52
80-65-125B	2900	25 42 50	6.94 11.66 13.88	16.5 14.5 12.5	57 66 64	1.97 2.51 2.66	3	4	5.5	3.0 3.0 4.0	52
	1450	12.5 21 25	3.47 5.83 6.94	4.1 3.6 3.1	51 61 59	0.27 0.34 0.36	0.55	0.75	1.1	2.5 2.5 3.0	52

安装尺寸图 Installation Dimensions Drawing



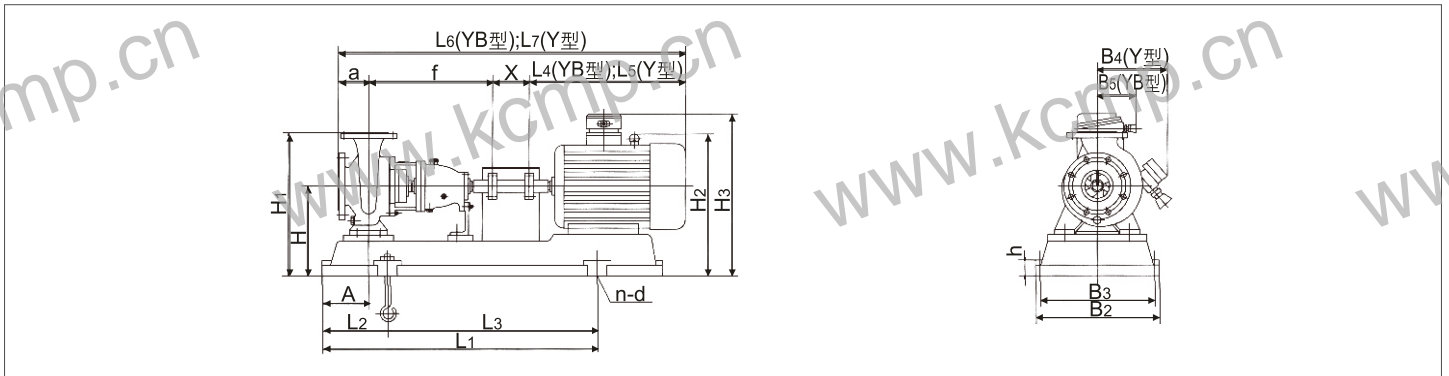
安装尺寸表 Installation Dimensions

Type 泵型号	配套电机 Matched motor		安装尺寸 Installation Dimensions																					
	机座号 Motor Seat No.	功率 Power KW	A	L1	L2	L3	L4	L5	a	f	x	L6	L7	B2	B3	B4	B5	H2	H3	h	H	H1	n-d	
80-65-125	Y 801-4	0.55																						
	YB 801-4	0.55	80	820	150	540	330	285				915	870	360	320	150		307	477	25				
	Y 802-4	0.75																						
	YB 802-4	0.75	80									945	900			155	225	317	482			217	377	4-φ 18.5
	Y 90S-4	1.1					360	310																
	YB 90S-4	1.1	80									970	920			390	350							
	Y 90L-4	1.5																						
	YB 90L-4	1.5	80									1015	965			180								
	Y 100L-2	3					430	380	100	385	100													
	YB 100L-2	3	80									1045	985			190								
Y 112M-2	4					460	400																	
YB 112M-2	4	80																						
Y 132S1-2	5.5																							
YB 132S1-2	5.5	80	1020	190	660	510	475				1095	1060	450	400	210									
Y 132S2-2	7.5																							
YB 132S2-2	7.5	80														240						257	417	4-φ 24
Y 160M1-4	11																							
YB 160M1-4	11	80	1140	210	740	655	600				1240	1185	490	440	255									

性能参数表 Performance Parameters

Type 泵型号	r/min speed 转速	流量Q Capacity		Head (m) 扬程	Efficiency η% 效率	kw 轴功率 Shaft Power			(NPSH)r (m) 必需汽蚀余量 Necessary(NPSh)r	Pump Weight (kg) 泵重量	
		m ³ /h	L/S			配用功率 Matched power 介质密度 (g/cm ³)	1.0	1.35			1.85
80-65-160	2900	30	8.33	36	57	5.16	11	11	15	2.0	57
		50	13.9	32	67	6.5					
60		16.7	28.4	65	7.15						
80-65-160A	1450	15	4.17	9.0	50	0.74	1.5	1.5	2.2	2.0	57
		25	6.94	8.0	62	0.88					
		30	8.33	7.2	62	0.95					
80-65-160A	2900	27.2	7.56	29.5	55	3.97	7.5	11	15	2.0	57
		45.4	12.6	26.4	65	5.02					
		54.4	15.11	23.4	63	5.5					
80-65-160B	1450	13.6	3.78	7.4	48	0.57	1.1	1.5	2.2	2.0	57
		22.7	6.31	6.6	60	0.68					
		27.2	7.56	5.9	60	0.73					
80-65-160B	2900	24.3	6.75	24.0	54	2.94	5.5	7.5	11	2.0	57
		40.5	11.25	21.5	64	3.71					
		48.6	13.5	19	62	4.1					
80-65-160B	1450	12.2	3.39	6.0	47	0.42	0.75	1.1	1.5	2.0	57
		20.3	5.64	5.4	59	0.51					
		24.33	6.75	4.8	59	0.54					

安装尺寸图 Installation Dimensions Drawing



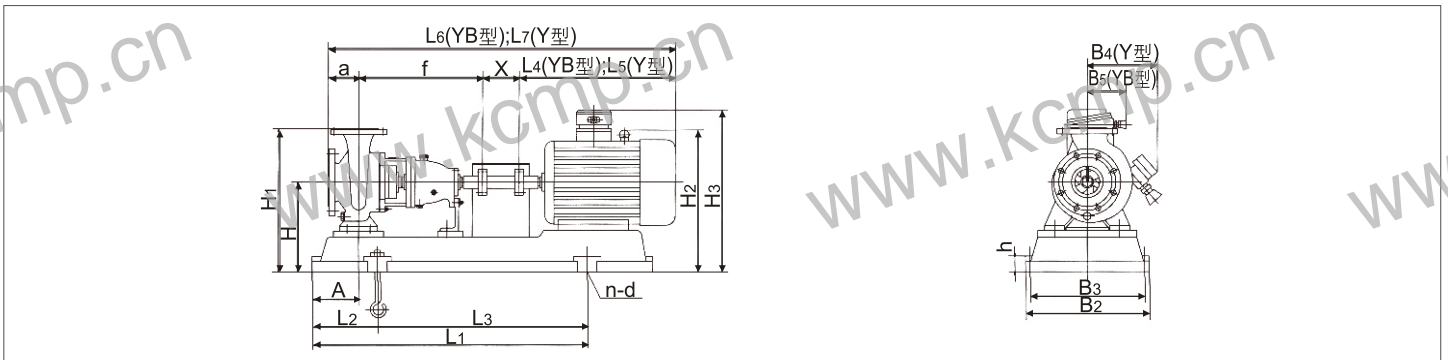
安装尺寸表 Installation Dimensions

Type 泵型号	配套电机 Matched motor		安装尺寸 Installation Dimensions																					
	机座号 Motor Seat No.	功率 Power KW	A	L1	L2	L3	L4	L5	a	f	x	L6	L7	B2	B3	B4	B5	H2	H3	h	H	H1	n-d	
80-65-160	Y 802-4	0.75					330	285				915	870			150		335	505					4-φ 18.5
	YB 90S-4	1.1	80	920	170	600	360	310				945	895	390	350	155	225	345	510					
	Y 90L-4	1.5					385	335				970	920									245	425	
	YB 100L1-4	2.2					430	380				1050	965			180		390	525					
	Y 132S1-2	5.5							100	385	100									30				4-φ 24
	YB 132S2-2	7.5	95	1020	190	660	510	475				1095	1060	450	400	210		428	583					
	Y 160M1-2	11															240							
	YB 160M2-2	15	80	1140	210	740	655	600				1240	1185	490	440	255		485	630			260	440	

性能参数表 Performance Parameters

Type 泵型号	r/min speed 转速	流量Q Capacity		Head (m) 扬程	Efficiency η% 效率	kw 轴功率 Shaft Power			(NPSH)r (m) 必需汽蚀余量 Necessary(NPSH)r	Pump Weight (kg) 泵重量	
		m ³ /h	L/S			轴功率 Shaft Power	配用功率 Matched power	介质密度 (g/cm ³)			
80-50-200	2900	30	8.33	55.2	53	8.5	15	18.5	30	2.0	65
		50	13.9	50	63	10.8				2.5	
60		16.7	45.2	62	11.9				3.2		
80-50-200A	1450	15	4.17	13.5	44	1.25	2.2	3	4	2.0	65
		25	6.94	12.5	57	1.49				2.0	
		30	8.33	11.5	58	1.62				2.5	
80-50-200A	2900	27.2	7.56	45.4	51	6.59	11	15	18.5	2.0	65
		45.4	12.6	41	61	8.31				2.5	
		54.4	15.11	37.2	60	9.19				3.2	
80-50-200B	1450	13.6	3.78	11.1	42	0.98	1.5	2.2	3.0	2.0	65
		22.7	6.31	10.3	55	1.16				2.0	
		27.2	7.56	9.5	56	1.26				2.5	
80-50-200B	2900	24.3	6.75	36	50	4.76	7.5	11	15	2.0	65
		40.5	11.25	32.5	60	5.97				2.5	
		48.6	13.5	29	59	6.51				3.2	
80-50-200B	1450	12.2	3.39	9.0	41	0.73	1.1	1.5	2.2	2.0	65
		20.3	5.64	8.1	54	0.83				2.0	
		24.3	6.75	7.3	55	0.88				2.5	

安装尺寸图 Installation Dimensions Drawing



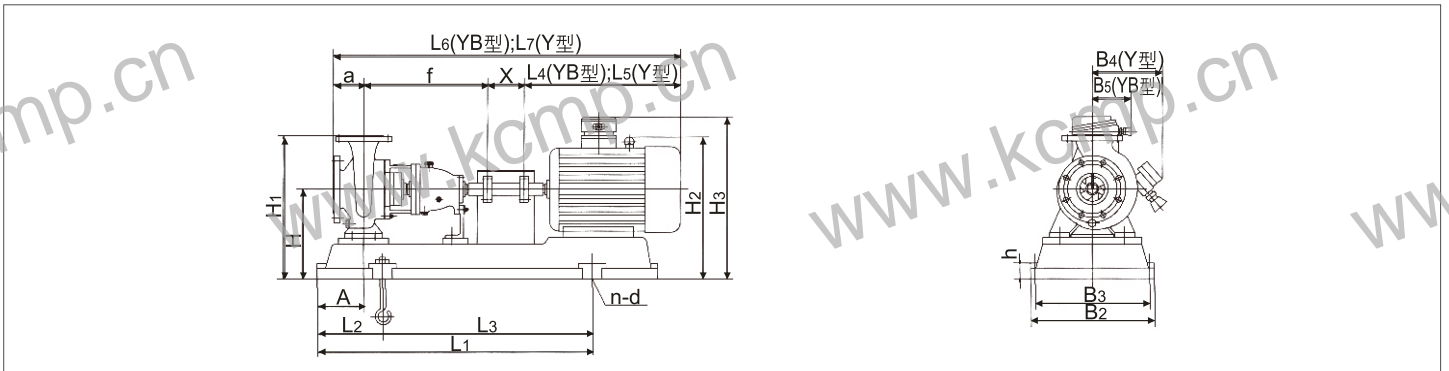
安装尺寸表 Installation Dimensions

Type 泵型号	配套电机 Matched motor		安装尺寸 Installation Dimensions																						
	机座号 Motor Seat No.	功率 Power KW	A	L1	L2	L3	L4	L5	a	f	x	L6	L7	B2	B3	B4	B5	H2	H3	h	H	H1	n-d		
80-50-200	YB 90S-4	1.1					360	310				945	895			155		345	510						
	YB 90L-4	1.5					385	335				970	920												
	YB 100L1-4	2.2	80	920	170	600						1015	965	390	350	180	225	390	525			245	445	4-φ 18.5	
	YB 100L2-4	3					430	380																	
	YB 112M-4	4					460	400	100	385	100	1045	985			190		398	533	30					
	YB 132S2-2	7.5	95	1020	190	660	510	475				1095	1060	450	400	210		428	583						
	YB 160M1-2	11																							
	YB 160M2-2	15					655	600				1240	1185				255	240	485	630			260	460	4-φ 24
	YB 160L-2	18.5	80	1140	210	740						1280	1230	490	440										
	YB 180M-2	22					730	670				1315	1255				285		510	645					

性能参数表 Performance Parameters

Type 泵型号	r/min speed 转速	流量Q Capacity		Head (m) 扬程	Efficiency $\eta\%$ 效率	kw 轴功率 Shaft Power			(NPSH)r (m) 必需汽蚀余量 Necessary (NPSH)r	Pump Weight (kg) 泵重量	
		m ³ /h	L/S			配用功率 Matched power 介质密度 (g/cm ³)					
						1.0	1.35	1.85			
80-50-250	2900	30 50 60	8.33 13.9 16.7	83.5 80 76	46 58 60	14.8 18.8 20.7	30	37	45	2.5 2.5 3.0	103
	1450	15 25 30	4.17 6.94 8.33	21 20 19	43 52 54	1.99 2.62 2.87	4	5.5	7.5	2.0 2.0 2.5	103
80-50-250A	2900	28.14 46.9 56.28	7.82 13.03 15.63	73.6 70.5 67.4	43 56 58	13.12 16.08 17.81	22	30	37	2.5 2.5 3.0	103
	1450	14.07 23.45 28.14	3.91 6.51 7.82	18.4 17.6 16.9	42 50 49	1.68 2.25 2.64	3	4	5.5	2.0 2.0 2.5	103
80-50-250B	2900	26.4 44 52.8	7.33 12.22 14.67	64.8 62.2 60	41 54 57	11.36 13.8 15.14	18.5	30	37	2.5 2.5 3.0	103
	1450	13.2 22 26.4	3.67 6.11 7.33	16.2 15.6 15	41 48 47	1.42 1.95 2.29	3	40	5.5	2.0 2.0 2.5	103

安装尺寸图 Installation Dimensions Drawing



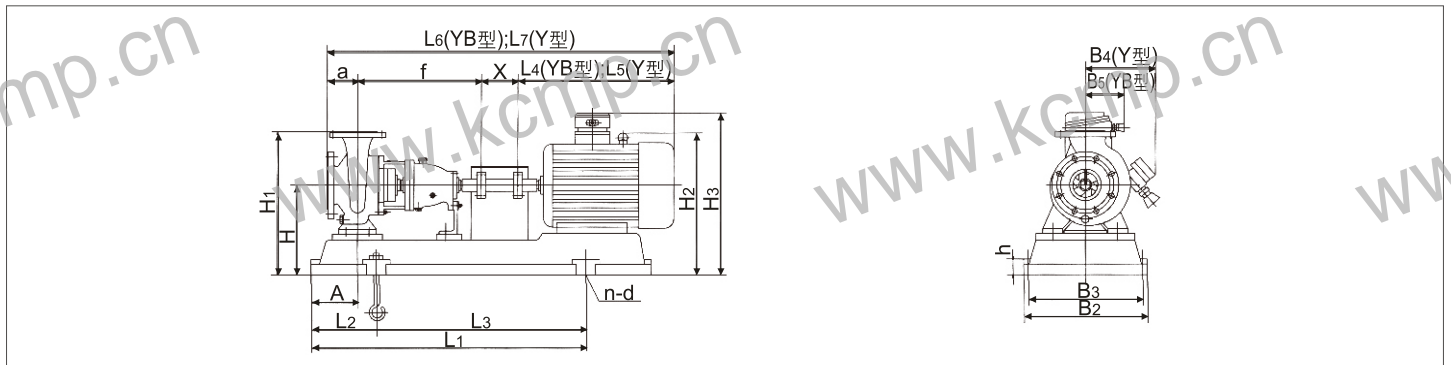
安装尺寸表 Installation Dimensions

Type 泵型号	配套电机 Matched motor		安装尺寸 Installation Dimensions																			
	机座号 Motor Seat No.	功率 Power KW	A	L1	L2	L3	L4	L5	a	f	x	L6	L7	B2	B3	B4	B5	H2	H3	h	H	H1
80-50-250	Y 100L1-4	2.2	1070	190	660	430	380	125	500	100	1155	1105	450	400	180	255	410	545	30	265	490	4- ϕ 24
	YB 100L2-4	3																				
	Y 112M-4	4	1140	210	740	460	400	1185	1125	190	490	440	210	240	503	658	320	545				
	YB 132S-4	5.5																				
	Y 132M-4	7.5	95	1270	225	840	550	515	1380	1325	540	490	255	525	670	40	300	525				
	YB 160M2-2	15																				
	Y 160L-2	18.5	1290	225	840	730	670	1455	1395	285	240	590	725	30	340	565						
	YB 180M-2	22																				
	Y 200L1-2	30	1420	250	940	805	775	125	500	100	1530	1500	610	550	310	290	635	785	40	360	585	
	YB 200L2-2	37																				
Y 225M-2	45	840	815	1565	1540	345	665	805														
YB 225M-2	45																					

▶ **性能参数表** Performance Parameters

Type 泵型号	r/min Speed 转速	流量 Q Capacity		Head (m) 扬程	Efficiency $\eta\%$ 效率	kw 轴功率 Shaft Power			(NPSH)r (m) 必需汽蚀余量 Necessary(NPSH) _r	Pump Weight (kg) 泵重量	
		m ³ /h	L/S			轴功率 Shaft Power	配用功率 Matched power 介质密度 (g/cm ³)				
							1.0	1.35	1.85		
80-50-315	2900	30 50 60	8.33 13.9 16.7	128 125 123	40 52 55	26.13 32.73 36.61	45	55	75	2.0 2.0 2.5	121
	1450	15 25 30	4.17 6.94 8.33	32.5 32 31.5	38 48 52	3.5 4.54 4.95	7.5	7.5	11	2.0 2.0 2.5	121
80-50-315A	2900	28.14 46.9 56.28	7.82 13.03 15.63	112 110 108	38 50 53	22.59 28.10 31.23	37	55	75	2.0 2.0 2.5	121
	1450	14.07 23.45 28.14	3.91 6.51 7.82	28.5 28 27.5	36 46 50	3.03 3.89 4.21	5.5	7.5	11	2.0 2.0 2.5	121
80-50-315B	2900	26.4 44 52.8	7.33 12.22 14.67	99 97 95	36 48 51	19.77 24.21 26.78	30	45	55	2.0 2.0 2.5	121
	1450	13.2 22 26.4	3.67 6.11 7.33	25 24.5 24	35 45 49	2.57 3.26 3.52	4.0	5.5	7.5	2.0 2.0 2.5	121
80-50-315C	2900	23.4 39 46.8	6.5 10.8 13	79 77 75.5	35 47 50	14.4 17.35 19.25	22	30	45	2.0 2.0 2.5	121
	1450	11.7 19.5 23.4	3.25 5.42 6.5	20 19.5 19	34 44.5 48	1.87 2.33 2.52	3	4	5.5	2.0 2.0 2.5	121

▶ **安装尺寸图** Installation Dimensions Drawing



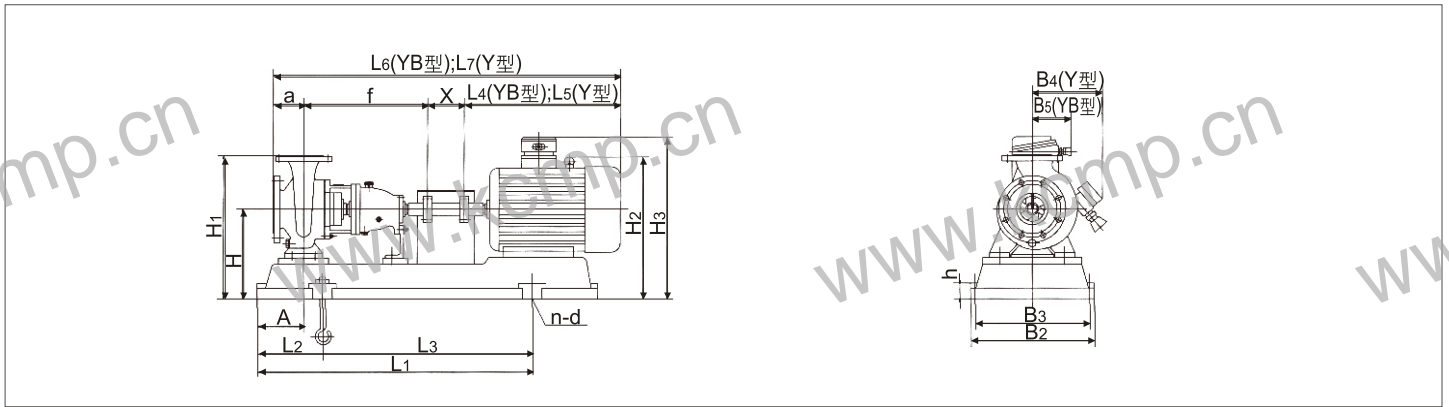
▶ **安装尺寸表** Installation Dimensions

Type 泵型号	配套电机 Matched motor		安装尺寸 Installation Dimensions																						
	机座号 Motor Seat No.	功率 Power KW	A	L1	L2	L3	L4	L5	a	f	x	L6	L7	B2	B3	B4	B5	H2	H3	h	H	H1	n-d		
80-50-315	Y 112M-4	4					460	400				1185	1125			190	225	478	613						
	YB 132S-4	5.5	95	1140	210	740	510	475				1235	1200	490	440					30	325	605			
	Y 132M-4	7.5					550	515				1275	1240											4-φ24	
	YB 160M-4	11					655	600				1380	1325												
	YB 160L-4	15	110				695	645				1420	1370	540	490	255			570	715			345	625	
	Y 200L1-2	30		1420	250	940				125	500	100	1530	1500											
	YB 200L2-2	37					805	775				1530	1500								40	405	685		
	Y 225M-2	45					840	815				1565	1540												4-φ28
	Y 250M-2	55		1620	290	1060	935	930				1660	1655	660	600	385									
	YB 280S-2	75	110	1820	320	1200	1010	1000				1735	1725	730	670	410									

性能参数表 Performance Parameters

Type 泵型号	转速 r/min speed	流量Q Capacity		Head (m) 扬程	Efficiency η% 效率	kw 轴功率 Shaft Power			(NPSH) _r (m) 必需汽蚀余量 Necessary(NPSH) _r	Pump Weight (kg) 泵重量	
		m ³ /h	L/S			轴功率 Shaft Power	配用功率 Matched power 介质密度 (g/cm ³)				
							1.0	1.35	1.85		
100-80-125	2900	60	16.7	24.7	65	6.21				3.0	57
		100	27.8	20	73	7.47	11	15	18.5	4.5	
		120	33.3	16.1	69	7.63				5.5	
100-80-125A	2900	55.1	15.31	20.7	62	5.01				3.0	57
		91.8	25.5	16.8	70	6.0	7.5	11	15	4.5	
		110.2	30.6	13.4	66	6.09				5.5	
100-80-125	1450	30	8.33	6.18	60	0.84				3.0	57
		50	13.9	5.0	68	1.0	1.5	2.2	3	3.5	
		60	16.7	4.03	62	1.06				3.8	
100-80-125A	1450	27.5	7.64	5.18	58	0.67				3.0	57
		45.9	12.75	4.2	66	0.80	1.1	1.5	2.2	3.5	
		55	15.28	3.35	60	0.84				3.8	

安装尺寸图 Installation Dimensions Drawing



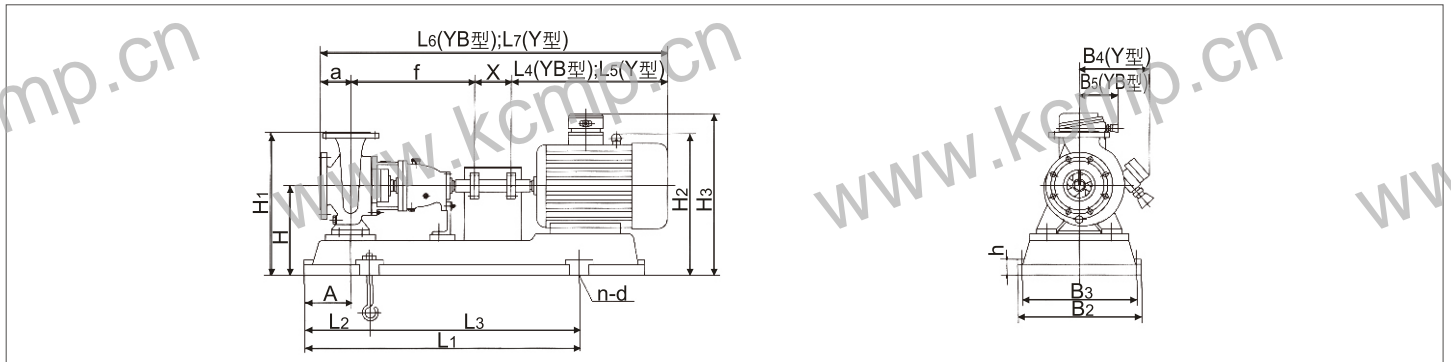
安装尺寸表 Installation Dimensions

Type 泵型号	配套电机 Matched motor		安装尺寸 Installation Dimensions																						
	机座号 Motor Seat No.	功率 Power KW	A	L1	L2	L3	L4	L5	a	f	x	L6	L7	B2	B3	B4	B5	H2	H3	h	H	H1	n-d		
100-80-125	YB 802-4	0.75					330	285				915	870			150		335	505						
	YB 90S-4	1.1					360	310				945	895			155		345	510						
	YB 90L-4	1.5					385	335				970	920												
	YB 100L1-4	2.2		920	170	600								390	350		225							4-φ 18.5	
	YB 100L2-4	3					430	380				1015	965			180		390	525			245	425		
	YB 112M-4	4					460	400				1045	985			190		398	533						
	YB 132S1-2	5.5		1020	190	660	510	475				1095	1060	450	400	210			428	583					
	YB 132S2-2	7.5															240								4-φ 24
	YB 160M1-2	11		1140	210	740	655	600				1240	1185	490	440	255			485	630		260	440		
	YB 160M2-2	15																							

▶ 性能参数表 Performance Parameters

Type 泵型号	r/min speed 转速	流量Q Capacity		Head (m) 扬程	Efficiency η% 效率	kw 轴功率 Shaft Power			(NPSH)r (m) 必需汽蚀余量 Necessary(NPSH) _r	Pump Weight (kg) 泵重量	
		m ³ /h	L/S			轴功率 Shaft Power	配用功率 Matched power	介质密度 (g/cm ³)			
100-80-160	2900	60 100 120	16.7 27.8 33.3	37 32 28	60 73 73	10.1 11.9 12.5	15	22	30	3.8 4.3 5.0	87
	1450	30 50 60	8.33 13.9 16.7	9.25 8.0 7.0	58 69 68	1.3 1.58 1.68	2.2	3	4	3.0 3.4 3.7	87
100-80-160A	2900	54.6 91 109	15.17 25.28 30.28	30.6 26.5 23.2	58 71 71	7.84 9.25 9.7	15	18.5	22	3.8 4.3 5.0	87
	1450	27.3 45.5 54.5	7.58 12.64 15.14	7.65 6.6 5.8	56 67 66	1.02 1.22 1.3	1.5	2.2	3.0	3.0 3.4 3.7	87
100-80-160B	2900	47 78.5 94	13.1 21.8 26.1	22.5 19.5 17	56 69 69	5.16 6.04 6.3	7.5	11	15	3.8 4.3 5.0	87
	1450	23.5 39.3 47	6.53 10.92 13.06	5.6 4.9 4.3	55 66 65	0.65 0.79 0.85	1.1	1.5	2.2	3.0 3.4 3.7	87

▶ 安装尺寸图 Installation Dimensions Drawing



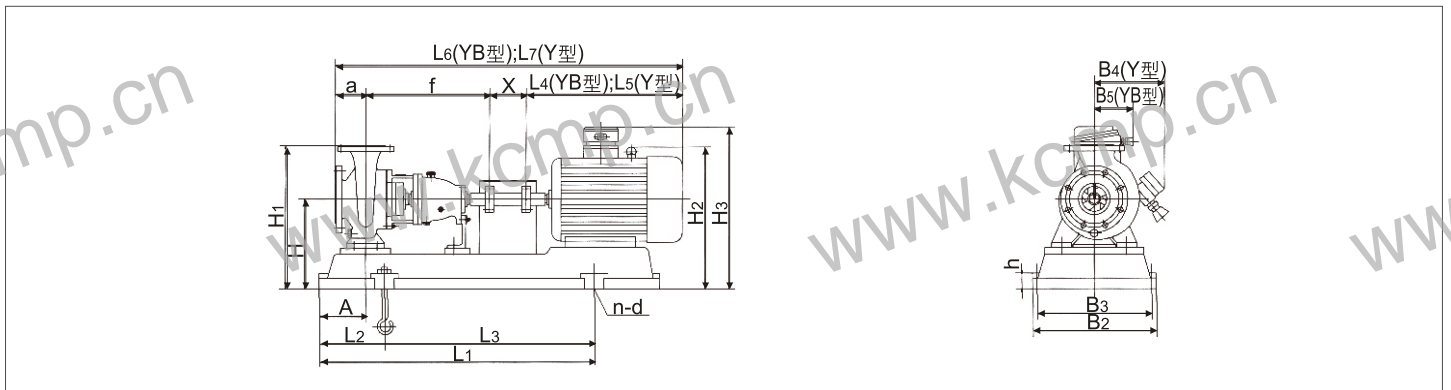
▶ 安装尺寸表 Installation Dimensions

Type 泵型号	配套电机 Matched motor		安装尺寸 Installation Dimensions																						
	机座号 Motor Seat No.	功率 Power KW	A	L1	L2	L3	L4	L5	a	f	x	L6	L7	B2	B3	B4	B5	H2	H3	h	H	H1	n-d		
100-80-160	Y YB 90L-4	1.5					385	335				1085	1035			155		385	550						
	Y YB 100L1-4	2.2																							
	Y YB 100L2-4	3		1020	190	660	430	380				1130	1080	450	400	180	225	430	565			285	485		
	Y YB 112M-4	4					460	400				1160	1100			190		438	573						
	Y YB 132S2-2	7.5	95	1140	210	740	510	475		100	500	100	1210	1175	490	440	210		443	598	30	260	460	4-φ24	
	Y YB 160M1-2	11					655	600					1355	1300											
	Y YB 160M2-2	15													540	490	255	240	545	690			320	520	
	Y YB 160L-2	18.5					695	645					1395	1345											
	Y YB 180M-2	22					730	670					1430	1370			285		590	725			340	540	
	Y YB 200L1-2	30		1420	250	940	805	775					1505	1475	610	550	310	290	615	765	40				4-φ28

性能参数表 Performance Parameters

Type 泵型号	r/min 转速	流量Q Capacity		Head (m) 扬程	Efficiency 效率	kw 轴功率 Shaft Power			(NPSH)r 必需汽蚀余量 Necessary (NPSH) _r	Pump Weight (kg) 泵重量	
		m ³ /h	L/S			轴功率 Shaft Power	配用功率 Matched power 介质密度 (g/cm ³)	配用功率 Matched power 介质密度 (g/cm ³)			
100-65-200	2900	60	16.7	56	63	14.5	30	37	45	3.4	96
		100	27.8	50	72	18.9				3.9	
120		33.3	44	71	20.3	5.2					
100-65-200A	1450	30	8.33	14.0	60	1.91	3	4	5.5	2.5	96
		50	13.9	12.5	68	2.5				2.5	
		60	16.7	11.0	63	2.85				3.0	
100-65-200A	2900	54.6	15.17	46.5	61	11.33	18.5	30	37	3.4	96
		91	25.28	41.5	70	14.69				3.9	
		109	30.28	36.51	69	15.7				5.2	
100-65-200B	1450	27.3	7.58	11.6	58	1.49	3	4	5.5	2.5	96
		45.5	12.64	10.4	66	1.95				2.5	
		54.5	15.14	9.1	61	2.21				3.0	
100-65-200B	2900	52	14.4	38	60	8.94	15	22	30	3.4	96
		86.5	24	35	69	11.9				3.9	
		104	28.9	30	68	12.5				5.2	
100-65-200B	1450	26	7.22	9.5	57	1.18	2.2	3	4	2.5	96
		43.3	12.03	8.8	65	1.6				2.5	
		52	14.44	7.5	60	1.77				3.0	

安装尺寸图 Installation Dimensions Drawing



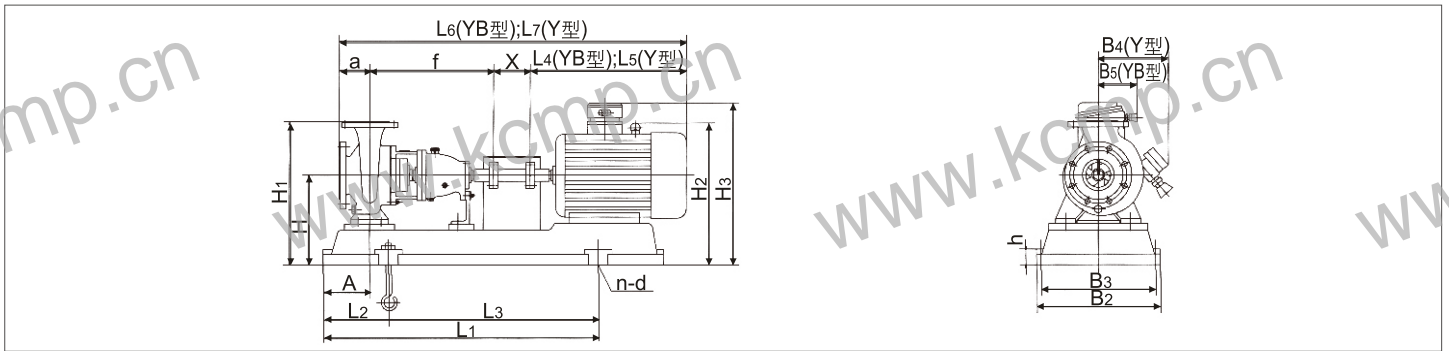
安装尺寸表 Installation Dimensions

Type 泵型号	配套电机 Matched motor		安装尺寸 Installation Dimensions																					
	机座号 Motor Seat No.	功率 Power KW	A	L1	L2	L3	L4	L5	a	f	x	L6	L7	B2	B3	B4	B5	H2	H3	h	H	H1	n-d	
100-65-200	Y 100L1-4	2.2					430	380				1175	1120			180	225	465	600		320	545	4-φ24	
	YB 100L2-4	3																						
	Y 112M-4	4		1400	210	740	460	400				1200	1140	490	440	190	225	433	568	30	280	505		
	YB 132S-4	5.5					510	475				1250	1215			210		503	658		320	545		
	Y 132M-4	7.5					550	515				1290	1255											
	YB 160M2-2	15	95				655	600	100	500	140	1395	1340			240					40	300		525
	YB 160L-2	18.5		1270		225	840	695	645			1435	1385	540	490		255		525	670	40	300		525
	Y 180M-2	22					730	670				1470	1410			285		590	725	30	340	565		
	Y 200L1-2	30					805	775				1545	1515			310		635	785	40	360	585		
	YB 200L2-2	37		1420	250	940								610	550	290					40	360		585
	Y 225M-2	45					840	815				1580	1555			345		665	805					

▶ 性能参数表 Performance Parameters

Type 泵型号	r/min speed 转速	流量Q Capacity		Head (m) 扬程	Efficiency η% 效率	kw 轴功率 Shaft Power			(NPSH) _r (m) 必需汽蚀余量 Necessary(NPSH) _r	Pump Weight (kg) 泵重量	
		m ³ /h	L/S			轴功率 Shaft Power	配用功率 Matched power 介质密度 (g/cm ³) 1.0 1.35 1.85				
100-65-250	2900	60	16.7	88	57	25.2	45	55	75	3.0	115
		100	27.8	80	68	32.0				3.6	
		120	33.3	74	67	36.1				4.5	
100-65-250A	2900	30	8.33	22	50	3.6	5.5	7.5	11	2.5	115
		50	13.9	20	63	4.3				2.5	
		60	16.7	18.5	64	4.7				3.0	
100-65-250B	2900	56	15.6	77	54	21.8	37	45	75	3.0	115
		93.5	26	70	65	27.5				3.6	
		112	31.1	64.5	64	30.7				4.5	
100-65-250B	1450	28	7.78	19.2	48	3.05	5.5	7.5	11	2.5	115
		46.8	13	17.5	61	3.66				2.5	
		56	15.56	16.1	62	3.96				3.0	
100-65-250B	2900	52.7	14.64	67.9	52	18.74	30	45	55	3.0	115
		87.8	24.39	61.7	63.6	23.42				3.6	
		105.4	29.28	57	63.07	26.39				4.5	
100-65-250B	1450	26.4	7.32	17	48.36		4.0	5.5	7.5	2.5	115
		43.9	12.19	15.4	60					2.5	
		52.7	14.64	14.3	61					3.0	

▶ 安装尺寸图 Installation Dimensions Drawing



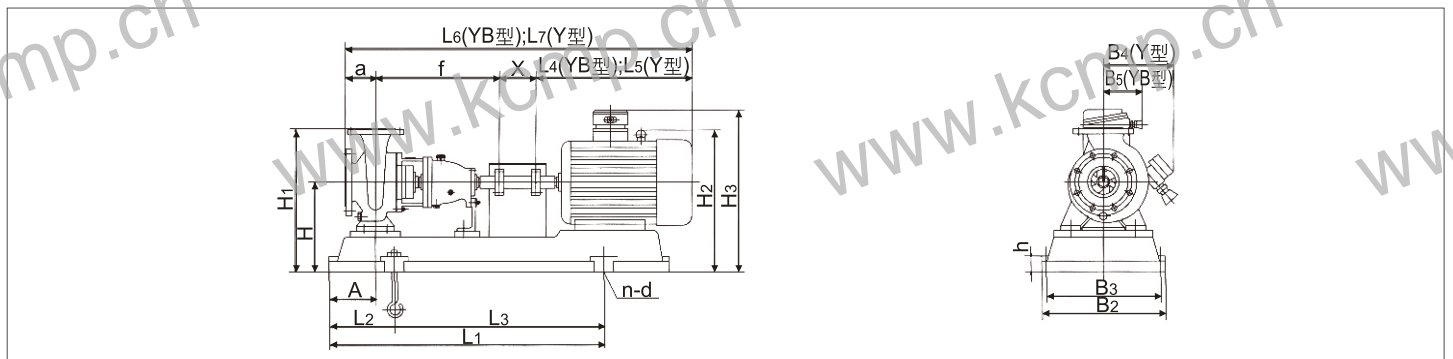
▶ 安装尺寸表 Installation Dimensions

Type 泵型号	配套电机 Matched motor		安装尺寸 Installation Dimensions																							
	机座号 Motor Seat No.	功率 Power KW	A	L ₁	L ₂	L ₃	L ₄	L ₅	a	f	x	L ₆	L ₇	B ₂	B ₃	B ₄	B ₅	H ₂	H ₃	h	H	H ₁	n-d			
100-65-250	YB 100L2-4	3					430	380				1195	1145			180	225	445	580			300	550	4-φ24		
	YB 112M-4	4					460	400				1225	1165			190		453	588							
	YB 132S-4	5.5		1140	210	740		510	475				1275	1240			490	440			30					
	YB 132M-4	7.5					550	515				1315	1280			210		523	678			340	590			
	YB 160M-4	11					655	600				1420	1365					240								
	YB 160L-4	15		1290	225	840	695	645					1460	1410	540	490	255		545	690			320		570	
	YB 180M-2	22					730	670	125	500	140		1495	1435			285		610	745			360		610	
	YB 200L1-2	30					805	775					1570	1540			310		655	805	40					
	YB 200L2-2	37		1420	250	940								1605	1580			345		685	825				380	630
	YB 225M-2	45					840	815					1605	1580			345		685	825						
	YB 250M-2	55		1620	290	1060	935	930					1700	1695	660	600	385		725	920			400		650	
	YB 280S-2	75		1820	320	1200	1010	1000					1775	1765	730	670	410	330	760	950						

性能参数表 Performance Parameters

Type 泵型号	r/min speed 转速	流量Q Capacity		Head (m) 扬程	Efficiency η% 效率	kw 轴功率 Shaft Power			(NPSH)r (m) 必需汽蚀余量 Necessary(NPSH) _r	Pump Weight (kg) 泵重量	
		m ³ /h	L/S			轴功率 Shaft Power	配用功率 Matched power	介质密度 (g/cm ³)			
100-65-315	2900	60	16.7	132	48	44.9	75	90	132	2.8	166
		100	27.8	125	62	54.9				3.2	
		120	33.3	119	64	60.9				4.2	
100-65-315A	1450	30	8.33	33.5	44	6.2	11	15	18.5	2.0	166
		50	13.9	32	58	7.5				2.0	
		60	16.7	30.5	60	8.3				2.5	
100-65-315A	2900	56	15.6	115.5	47	37.48	55	75	110	2.8	166
		93.5	26	109	61	45.5				3.2	
		112	31.1	104	63	50.35				4.2	
100-65-315A	1450	28	7.78	29	42	5.27	11	11	15	2.0	166
		46.8	13	28	56	6.37				2.0	
		56	15.56	26.5	58	6.97				2.5	
100-65-315B	2900	52.7	14.64	102	46	31.82	55	75	90	2.8	166
		87.8	24.39	97	60	38.74				3.2	
		105.4	29.28	92	62	42.59				4.2	
100-65-315B	1450	26.4	7.32	25.5	41	4.47	7.5	11	15	2.0	166
		43.9	12.19	24.3	55	5.29				2.0	
		52.7	14.64	23	57	5.79				2.5	
100-65-315C	2900	49.8	13.83	90.9	45	27.4	45	55	75	2.8	166
		83	23.06	86.1	59	32.99				3.2	
		99.6	27.67	82	61	36.46				4.2	
100-65-315C	1450	24.9	6.92	22.7	40	3.85	5.5	7.5	11	2.0	166
		41.5	11.53	21.5	54	4.5				2.0	
		49.8	13.83	20.5	56	4.96				2.5	

安装尺寸图 Installation Dimensions Drawing



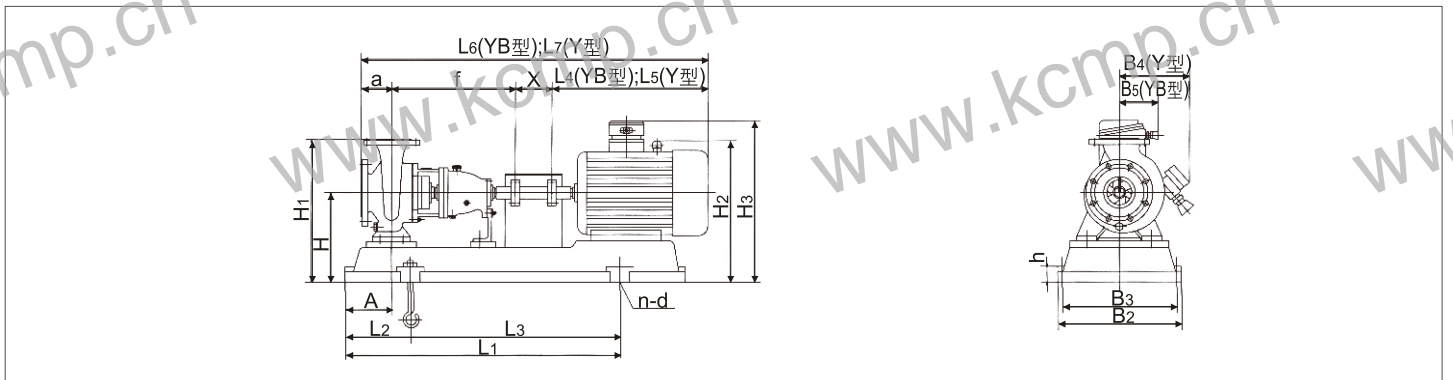
安装尺寸表 Installation Dimensions

Type 泵型号	配套电机 Matched motor		安装尺寸 Installation Dimensions																						
	机座号 Motor Seat No.	功率 Power KW	A	L1	L2	L3	L4	L5	a	f	x	L6	L7	B2	B3	B4	B5	H2	H3	h	H	H1	n-d		
100-65-315	YB 132S-2	5.5		1270	225	840	510	475				1305	1270			210		528	683						
	YB 132M-4	7.5					550	515				1345	1310	540	490							345	625	4-φ24	
	YB 160M-4	11					655	600				1450	1395			240		570	715						
	YB 160L-4	15					695	645				1490	1440			255									
	YB 180M-4	18.5	110	1420	250	940	730	670	125	530	140	1525	1465			285		655	790						
	YB 200L-4	37					805	775				1600	1570	610	550	310		290	680	830		40	405	685	
	YB 225M-2	45					840	815				1635	1610			345			710	850					4-φ28
	YB 250M-2	55		1620	290	1060	935	930				1730	1725	660	600	385			750	945					
	YB 280S-2	75					1010	1000				1805	1795				330						425	705	
	YB 280M-2	90		1820	320	1200	1060	1050				1855	1845		730	670	410		785	975					

性能参数表 Performance Parameters

Type 泵型号	r/min speed 转速	流量Q Capacity		Head (m) 扬程	Efficiency η% 效率	kw 轴功率 Shaft Power			(NPSH)r (m) 必需汽蚀余量 Necessary(NPSH)r	Pump Weight (kg) 泵重量	
		m³/h	L/S			1.0	1.35	1.85			
125-100-200	2900	120	33.3	61	68	29.3	45	55	90	4.5	99
		200	55.6	50	77	35.4				5.0	
		240	66.7	41	70	38.3				5.8	
125-100-200A	1450	60	16.7	15.25	64	3.89	7.5	11	15	2.5	99
		100	27.8	12.5	73	4.66				2.9	
		120	33.3	10.25	66	5.08				3.6	
125-100-200A	2900	110	30.56	50.5	66	22.92	37	45	75	4.5	99
		182	50.56	41.4	75	27.36				5.0	
		218	60.56	34	68	29.7				5.8	
125-100-200B	1450	55	15.28	12.6	62	3.04	5.5	7.5	11	2.5	99
		91	25.3	10.4	71	3.63				2.9	
		109	30.3	8.5	64	3.95				3.6	
125-100-200B	2900	99.6	27.67	41.5	65	17.32	30	37	55	4.5	99
		166	46.11	34	74	20.77				5.0	
		199	55.28	28	67	22.65				5.8	
125-100-200B	1450	49.8	13.83	10.5	61	2.33	4	5.5	7.5	2.5	99
		83	23.1	8.5	70	2.74				2.9	
		99.5	27.64	7.0	63	3.01				3.6	
125-100-250	2900	120	33.3	90	62	47.4	75	110	132	3.7	151
		200	55.6	80	75	58.1				4.5	
		240	66.7	73	74	64.5				5.5	
125-100-250	1450	60	16.7	22.5	59	6.23	11	15	18.5	2.0	151
		100	27.8	20	72	7.56				2.3	
		120	33.3	18.25	71	8.4				3.0	

安装尺寸图 Installation Dimensions Drawing



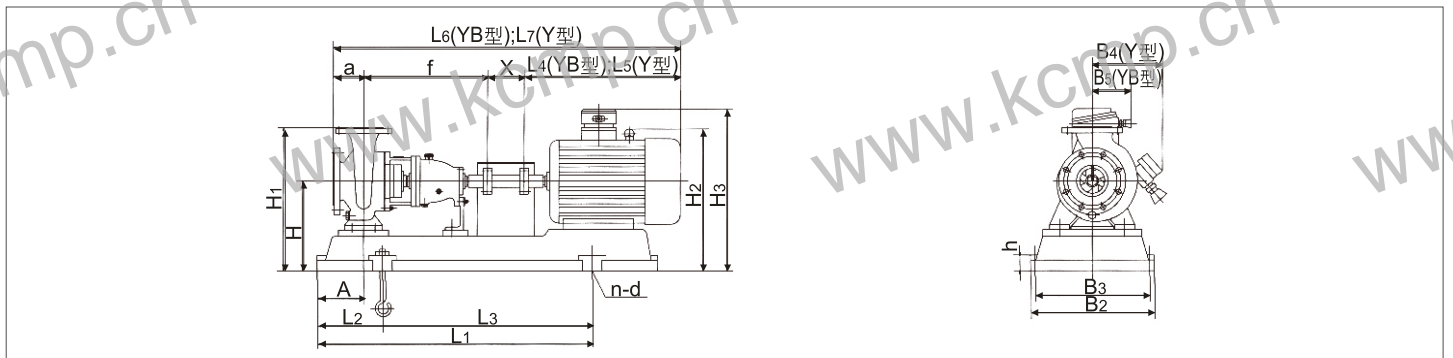
安装尺寸表 Installation Dimensions

Type 泵型号	配套电机 Matched motor		安装尺寸 Installation Dimensions																						
	机座号 Motor Seat No.	功率 Power KW	A	L1	L2	L3	L4	L5	a	f	x	L6	L7	B2	B3	B4	B5	H2	H3	h	H	H1	n-d		
125-100-200	Y YB 112M-4	4					460	400				1225	1165			190	225	453	588		300	580	4-φ24		
	Y YB 132S-4	5.5	1140	210	740	510	475					1275	1240	490	440	210	240	523	678	30	340	620			
	Y YB 132M-4	7.5				550	515					1315	1280												
	Y YB 160M-4	11	1290	225	840	655	600						1420	1265	540	490	255	290	545	690		320	600	4-φ28	
	Y YB 200L1-2	30	110	1420	250	940	805	775	125	500	140	1570	1540	610	550	310	290	655	805						
	Y YB 200L2-2	37				805	775						1570	1540	610	550	310	290	655	805	40	380	660		
	Y YB 225M-2	45		1420	250	840	840	815					1605	1580	610	550	345	290	685	825					
	Y YB 250M-2	55		1620	290	1060	935	930					1700	1695	660	600	385	330	725	920		400	680		
	Y YB 280S-2	75		1820	320	1200	1010	1000					1775	1765	730	670	410	330	760	950					

性能参数表 Performance Parameters

Type 泵型号	r/min Speed 转速	流量Q Capacity		Head (m) 扬程	Efficiency $\eta\%$ 效率	kw 轴功率 Shaft Power			(NPSH) _r (m) 必需汽蚀余量 Necessary (NPSH) _r	Pump Weight (kg) 泵重量	
		m ³ /h	L/S			轴功率 Shaft Power	配用功率 Matched power 介质密度 (g/cm ³)	配用功率 Matched power 介质密度 (g/cm ³)			
125-100-250A	2900	112	31.11	78	60	39.65	75	90	110	3.7	151
		186.5	51.81	69.5	73	48.35				4.5	
		224	62.22	63.5	72	53.8				5.5	
125-100-250B	1450	56	15.6	19.5	57	5.22	11	11	15	2.0	151
		93.5	26	17.5	70	6.37				2.3	
		112	31.11	16	69	7.07				3.0	
125-100-250C	2900	105.5	29.3	69.0	58	34.18	55	75	110	3.7	151
		175.5	48.75	61.5	71	41.4				4.5	
		211	58.6	56	70	45.97				5.5	
125-100-250C	1450	52.75	14.65	17.25	55	4.51	7.5	11	15	2.0	151
		87.8	24.38	15.4	58	5.41				2.3	
		105.5	29.31	14	67	6.0				3.0	
125-100-250C	2900	95.4	26.5	57	56	26.44	45	55	75	3.7	151
		159	44.17	50.5	69	31.7				4.5	
		190.8	53	46	68	35.15				5.5	
125-100-250C	1450	47.7	13.25	14.25	53	3.49	5.5	7.5	11	2.0	151
		79.5	22.1	12.6	66	4.13				2.3	
		95.4	26.5	11.5	65	4.6				3.0	

安装尺寸图 Installation Dimensions Drawing



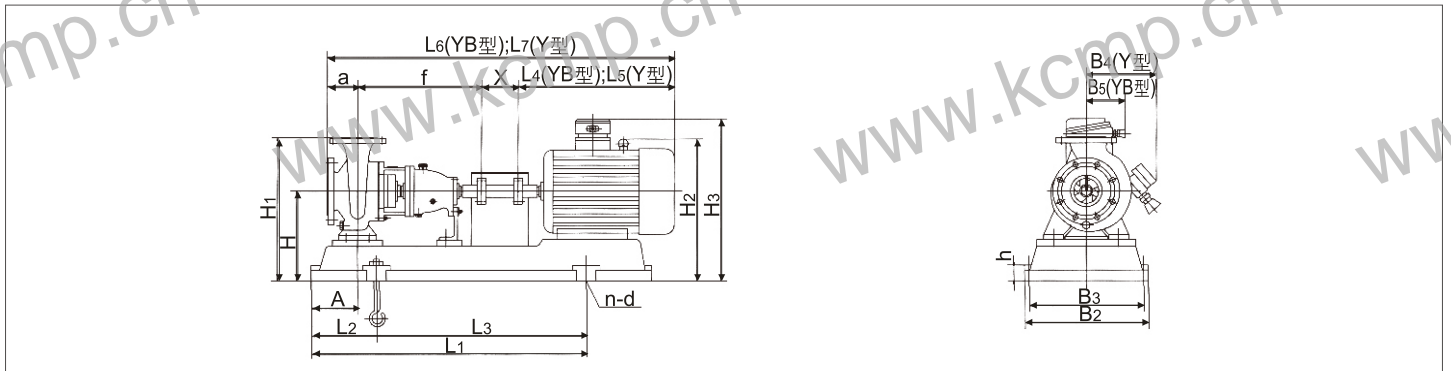
安装尺寸表 Installation Dimensions

Type 泵型号	配套电机 Matched motor		安装尺寸 Installation Dimensions																						
	机座号 Motor Seat No.	功率 Power KW	A	L1	L2	L3	L4	L5	a	f	x	L6	L7	B2	B3	B4	B5	H2	H3	h	H	H1	n-d		
125-100-250	Y YB 132S-4	5.5										1320	1282			210		528	683						
	Y YB 132M-4	7.5		1270	225	840		510	475			1360	1325	540	490	240						345	625	4-φ24	
	Y YB 160M-4	11						655	600			1465	1410			255		570	715						
	Y YB 160L-4	15		1420	250	940		695	645			1505	1455			285		655	790						
	Y YB 180M-4	18.5	110					730	670	140	530	140	1540	1480	610	550	345	290	710	850	40	405	685		
	Y YB 225M-2	45						840	815				1650	1625			385		750	945				4-φ28	
	Y YB 250M-2	55		1620	290	1060		935	930				1745	1740	660	660	385		750	945					
	Y YB 280S-2	75						1010	1000				1820	1810	730	670	410	330	785	975		425	705		
	Y YB 280M-2	90						1060	1050				1870	1860											

性能参数表 Performance Parameters

Type 泵型号	r/min speed 转速	流量Q Capacity		Head (m) 扬程	Efficiency η% 效率	kw 轴功率 Shaft Power			(NPSH)r (m) 必需汽蚀余量 Necessary(NPSH)r	Pump Weight (kg) 泵重量	
		m ³ /h	L/S			配用功率 Matched power 介质密度 (g/cm ³)	1.0	1.35			1.85
125-100-315	2900	120	33.3	132.5	52.5	82.48	132	160	220	4.0	166
		200	55.6	125	72	94.56				4.5	
		240	66.7	120	75	104.6				5.0	
125-100-315A	1450	60	16.7	33.5	53	10.3	18.5	22	30	2.5	166
		100	27.8	32	65	13.41				2.8	
		120	33.3	30.5	66	15.1				3.8	
125-100-315A	2900	112	31.11	117	49	72.83	110	132	190	4.0	166
		186.5	51.81	110	68	82.38				4.5	
		224	62.22	106	71	91.28				5.0	
125-100-315B	1450	56	15.6	29.5	54	8.33	15	18.5	30	2.5	166
		93.5	26	27.5	64	10.94				2.8	
		112	31.11	26.5	65	12.47				3.8	
125-100-315B	2900	105.5	29.3	103	47	62.95	90	132	160	4.0	166
		175.5	48.75	97	66	70.44				4.5	
		211	58.6	93	69	77.45				5.0	
125-100-315C	1450	52.75	14.65	25.8	53	6.99	15	18.5	22	2.5	166
		87.8	24.38	24.5	63	9.32				2.8	
		105.5	29.31	23.5	64	10.54				3.8	
125-100-315C	2900	98.7	27.42	90	46	52.6	75	110	132	4.0	166
		164.5	45.7	84.5	65	58.24				4.5	
		197.4	54.83	81	68	64.04				5.0	
125-100-315C	1450	49.4	13.72	22.5	52	5.82	11	15	18.5	2.5	166
		82.3	22.86	21.5	62	7.77				2.8	
		98.7	27.42	20.5	63	8.75				3.8	

安装尺寸图 Installation Dimensions Drawing



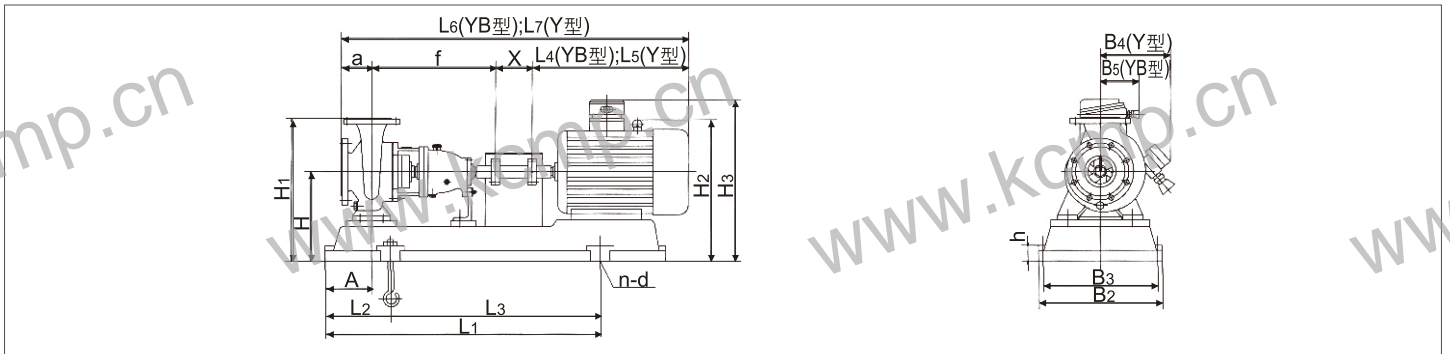
安装尺寸表 Installation Dimensions

Type 泵型号	配套电机 Matched motor		安装尺寸 Installation Dimensions																						
	机座号 Motor Seat No.	功率 Power KW	A	L1	L2	L3	L4	L5	a	f	x	L6	L7	B2	B3	B4	B5	H2	H3	h	H	H1	n-d		
125-100-315	Y 160M-4	11					655	600				1465	1410												
	YB 160L-4	15					695	645				1505	1455	540	490	255		595	740		370	685	4-φ24		
	Y 180M-4	18.5	1420				730	670				1540	1480				240								
	YB 180L-4	22			250	840	750	710				1560	1520				285		680	815					
	Y 200L-4	30					805	775	140	530	140	1615	1585	610	550		310		705	855	40	430	745	4-φ28	
	YB 200L-4	30					805	775				1615	1585				290		705	855					
	Y 225S-4	37	1430				845	820				1655	1630				345		695	835		390	705		
	Y 280S-2	75					1010	1000				1820	1810												
	YB 280S-2	75					1010	1000				1820	1810												
	Y 280M-2	90	1820	320	1200		1060	1050				1870	1860	730	670	410	330	810	1000		450	765			
	YB 280M-2	90					1060	1050				1870	1860												

性能参数表 Performance Parameters

Type 泵型号	r/min SPEED 转速	流量 Q Capacity		Head (m) 扬程	Efficiency η % 效率	kw 轴功率 Shaft Power			(NPSH)r (m) 必需汽蚀余量 Necessary(NPSH)r	Pump Weight (kg) 泵重量	
		m ³ /h	L/S			轴功率 1.0	配套功率 Matched power 1.35	介质密度 (g/cm ³) 1.85			
125-100-400	1450	60	16.7	52	48	17.7	30	45	55	2.5	211
		100	27.8	50	55	24.8					
		120	33.3	48.5	62	25.5					
125-100-400A	1450	56	15.6	45	45	14.9	30	37	45	2.5	211
		93	25.83	43.2	52	21.04					
		112	31.11	41.9	60	21.3					
125-100-400B	1450	52.8	14.67	40.1	45	12.81	22	30	45	2.5	211
		87.8	24.39	38.5	51	18.05					
		105.5	29.31	37.4	58	18.5					
125-100-400C	1450	48.9	13.6	34.5	43	10.68	18.5	30	37	2.5	211
		81.5	22.6	33.2	50	14.74					
		97.8	27.2	32.2	56	15.3					
150-125-250	1450	120	33.3	24.8	66	12.3	18.5	30	37	2.5	165
		200	55.6	20	77	14.1					
		240	66.7	15	78	14.4					
150-125-250A	1450	109.1	30.31	20.5	64	9.52	15	18.5	30	2.5	165
		182	50.56	16.5	75	10.91					
		218.2	60.61	12.5	66	11.27					
150-125-250B	1450	102	28.33	17.9	62	8.02	11	15	22	2.5	165
		170	47.22	14.5	73	9.2					
		204	56.67	10.8	64	9.38					

安装尺寸图 Installation Dimensions Drawing



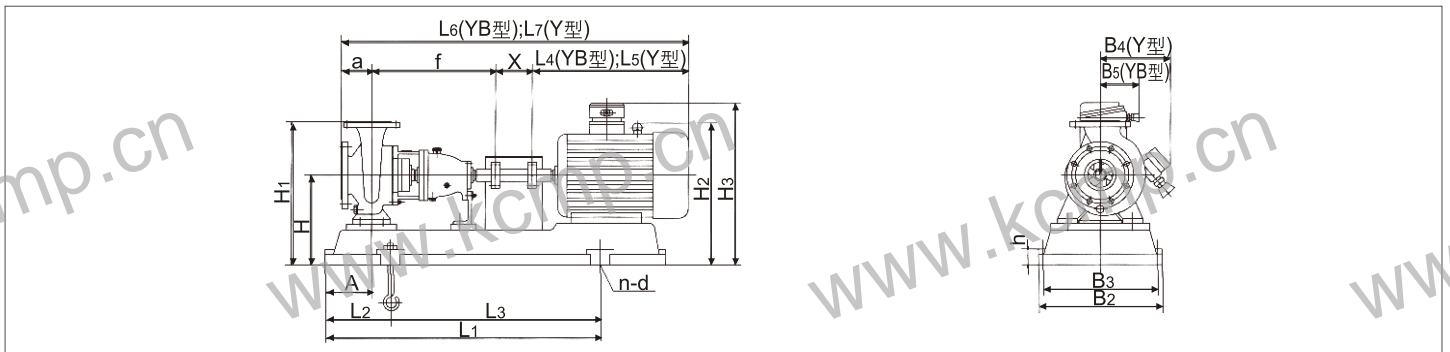
安装尺寸表 Installation Dimensions

Type 泵型号	配套电机 Matched motor		安装尺寸 Installation Dimensions																						
	机座号 Motor Seat No.	功率 Power KW	A	L1	L2	L3	L4	L5	a	f	x	L6	L7	B2	B3	B4	B5	H2	H3	h	H	H1	n-d		
125-100-400	Y	160L-4	15				695	645				1505	1455			255		615	760						
	YB	180M-4	18.5				730	670				1540	1480			285	240	640	775		390	745			
	Y	180L-4	22				750	710				1560	1520												
	YB	200L-4	30	130	1620	290	1060	805	775	140	530	140	1615	1585	660	600	310		665	815	40			4-φ28	
	Y	225S-4	37				845	820				1655	1630				290		785	925					
	YB	225M-4	45				870	845				1680	1655				345					480	835		
	Y	250M-4	55				935	930				1745	1740				385	330	805	1000					
150-125-250	Y	160M-4	11				655	600				1465	1410					595	740		370	725	4-φ24		
	YB	160L-4	15				695	645				1505	1455												
	Y	180M-4	18.5	110	1420		730	670				1540	1480					240							
	YB	180L-4	22			250	840	750	710	140	530	140	1560	1520			285		680	815	40			4-φ28	
	Y	200L-4	30				805	775				1615	1585		610	550	310		705	855					
	YB	225S-4	37				845	820				1655	1630				345	290	695	835		390	745		
	Y	225M-4	45				870	845				1680	1655												

性能参数表 Performance Parameters

Type 泵型号	r/min speed 转速	流量 Q Capacity		Head (m) 扬程	Efficiency η% 效率	轴功率 Shaft Power	kw Matched power			(NPSH)r (m) 必需汽蚀余量 Necessary(NPSH)r	Pump Weight (kg) 泵重量
		m³/h	L/S				1.0	1.35	1.85		
150-125-315	1450	120	33.3	36.3	63	18.8	30	37	55	2.5	196
		200	55.6	32	75	23.2					
		240	66.7	28.5	72	25.9					
150-125-315A	1450	109.1	30.31	30	60	14.85	22	30	45	2.5	196
		182	50.56	25.5	73	17.32					
		218.2	60.61	23.5	69	20.23					
150-125-315B	1450	102	28.33	26.2	58	11.55	18.5	30	37	2.5	196
		170	47.22	23.1	71	15.06					
		204	56.67	20.6	66	17.34					
150-125-400	1450	120	33.3	57.5	61	30.8	55	75	90	2.0	238
		200	55.6	50	70	38.9					
		240	66.7	44	63	45.6					
150-125-400A	1450	109.1	30.31	47.5	58	24.33	37	55	75	2.0	238
		182	50.56	41	68	29.88					
		218.2	60.61	36.5	60	36.15					
150-125-400B	1450	102	28.33	41.5	55	20.96	37	45	75	2.0	238
		170	47.22	36.1	66	25.32					
		204	56.67	31.8	58	30.46					
150-125-400C	1450	96	26.67	37	53	18.25	30	37	55	2.0	238
		160	44.44	32	64	21.79					
		192	53.33	28	56	26.143					

安装尺寸图 Installation Dimensions Drawing



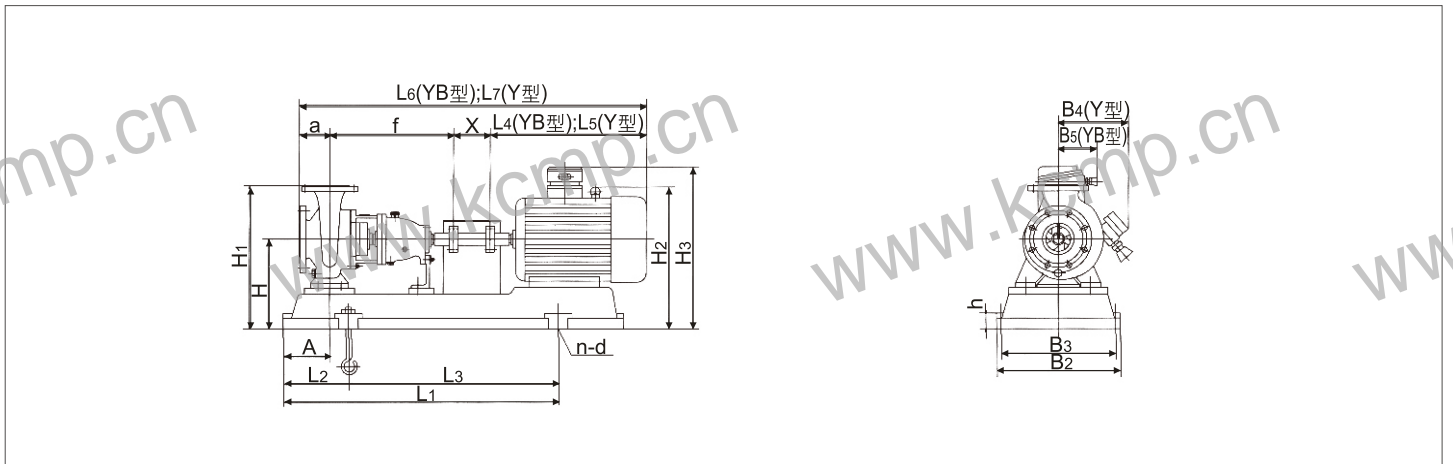
安装尺寸表 Installation Dimensions

Type 泵型号	配套电机 Matched motor		安装尺寸 Installation Dimensions																						
	机座号 Motor Seat No.	功率 Power KW	A	L1	L2	L3	L4	L5	a	f	x	L6	L7	B2	B3	B4	B5	H2	H3	h	H	H1	n-d		
150-125-315	YB 180M-4	18.5					730	670				1540	1480					285	240	640	775				
	YB 180L-4	22					750	710				1560	1520									390	745		
	YB 200L-4	30					805	775				1615	1585					310		665	815				
	YB 225S-4	37	130	1620	290	1060	845	820	140	530	140	1655	1630		660	600		290		785	925	40			4-φ28
	YB 225M-4	45					870	845				1680	1655					345					480	835	
	YB 250M-4	55					935	930				1745	1740					385	330	805	1000				
150-125-400	YB 200L-4	30				805	775				1615	1585					310		750	900		475	875		
	YB 225S-4	37				845	820				1655	1630		660	600	345	290		820	960					
	YB 225M-4	45	130	1620	290	1060	870	845	140	530	140	1680	1655									515	915		4-φ28
	YB 250M-4	55				935	930					1745	1740				385		840	1035	40				
	YB 280S-4	75				1010	1000					1820	1810				330								
	YB 280M-4	90		1820	320	1200	1060	1050				1870	1860		730	670	410		835	1025		475	875		

性能参数表 Performance Parameters

Type 泵型号	r/min speed 转速	流量 Q Capacity		Head (m) 扬程	Efficiency 效率	轴功率 Shaft Power	kw 配用功率 Matched power 介质密度 (g/cm ³)			(NPSH)r (m) 必需汽蚀余量 Neveson (NPSH)r	Pump Weight (kg) 泵重量
		m ³ /h	L/S				1.0	1.35	1.85		
200-150-250	1450	240	66.7	23	65	23.14				3.5	195
		400	111.1	20	77	28.3	37	55	75	4.0	
		460	127.8	18	74	30.5				4.5	
200-150-250A	1450	218	60.56	19	64	17.63				3.5	195
		363.5	101	16.5	76	21.5	30	37	55	4.0	
		418	116.1	15	73	23.4				4.5	
200-150-250B	1450	204	56.7	16.6	62	14.87				3.5	195
		340	94.4	14.5	74	18.14	22	30	45	4.0	
		391	108.6	13	71	19.5				4.5	

安装尺寸图 Installation Dimensions Drawing



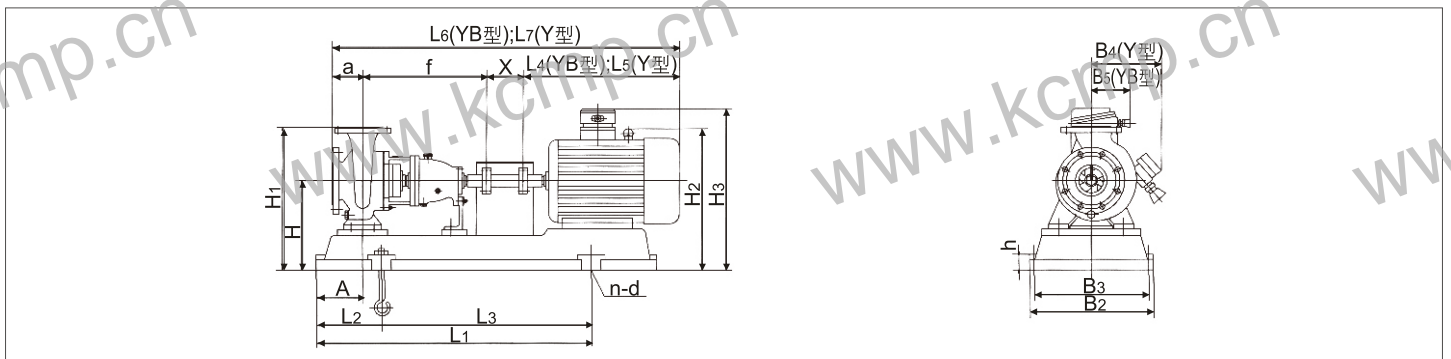
安装尺寸表 Installation Dimensions

Type 泵型号	配套电机 Matched motor		安装尺寸 Installation Dimensions																							
	机座号 Motor Seat No.	功率 Power KW	A	L1	L2	L3	L4	L5	a	f	x	L6	L7	B2	B3	B4	B5	H2	H3	h	H	H1	n-d			
200-150-250	YB 180L-4	22					750	710				1620	1580			285	240	640	775				390	765	4-φ28	
	YB 200L-4	30					805	775				1675	1645			310		665	815							
	YB 225S-4	37	1620	290	1060	845	820					1715	1690													
	YB 225M-4	45					870	845	160	530	180		1740	1715	660	600	345	290	785	925	40					
	YB 250M-4	55					935	930					1805	1800			385		805	1000		480	855			
	YB 280S-4	75		1820	320	1200	1010	1000					1880	1870	730	670	410	330	840	1030						

▶ 性能参数表 Performance Parameters

Type 泵型号	r/min Speed 转速	流量Q Capacity		Head (m) 扬程	Efficiency % 效率	kw 轴功率 Shaft Power			(NPSH)r (m) 必需汽蚀余量 Necessary(NPSH)r	Pump Weight (kg) 泵重量	
		m³/h	L/S			配用功率 Matched power 介质密度 (g/cm³)					
						1.0	1.35	1.85			
200-150-315	1450	240	66.7	35.6	67	34.7	55	75	110	3.0	269
		400	111	32	79	44.1				3.5	
		460	127.8	29.4	77	47.8				4.0	
200-150-315A	1450	218	60.56	29.4	64	29.7	45	55	75	3.0	269
		363.5	101	25.5	77	32.7				3.5	
		418	116.1	24.3	74	37.4				4.0	
200-150-315B	1450	204	56.7	25.7	61	23.41	37	55	75	3.0	269
		340	94.4	23.1	74	28.9				3.5	
		391	108.6	21.2	71	31.79				4.0	
200-150-400	1450	240	66.7	55.8	67	54.4	90	132	160	3.0	290
		400	111	50	78	69.8				3.5	
		460	127.8	47	75	78.5				4.0	
200-150-400A	1450	218	60.56	46	64	42.7	75	90	132	3.0	290
		363.5	101	41	76	53.3				3.5	
		418	116.1	38.8	72	61.3				4.0	
200-150-400B	1450	204	56.7	40.3	61	36.7	55	75	110	3.0	290
		340	94.4	36.1	74	45.17				3.5	
		391	34	34	69	52.47				4.0	
200-150-400C	1450	192	53.3	35.7	59	31.64	55	75	90	3.0	290
		320	88.9	32	72	38.73				3.5	
		368	102.2	30.1	67	45.02				4.0	

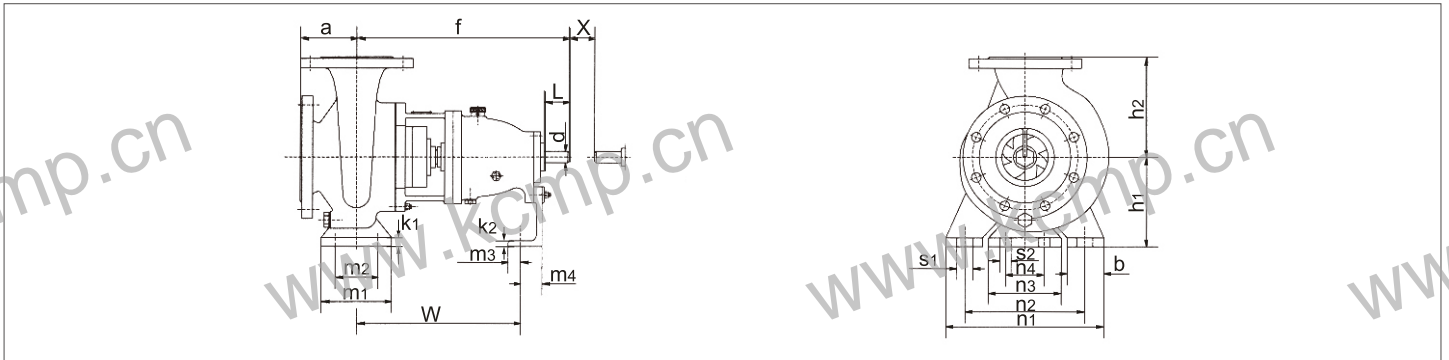
▶ 安装尺寸图 Installation Dimensions Drawing



▶ 安装尺寸表 Installation Dimensions

Type 泵型号	配套电机 Matched motor		安装尺寸 Installation Dimensions																					
	机座号 Motor Seat No.	功率 Power KW	A	L1	L2	L3	L4	L5	a	f	x	L6	L7	B2	B3	B4	B5	H2	H3	h	H	H1	n-d	
200-150-315	Y YB 200L-4	30					805	775				1815	1785			310		750	900					
	Y YB 225S-4	37					845	820				1855	1830			345	290	780	920					
	Y YB 225M-4	45					870	845				1880	1855											
	Y YB 250M-4	55	130	1820	320	1200			160	670	180			730	670			800	995	40	475	875	4-φ28	
	Y YB 280S-4	75					1010	1000				2020	2010			410	330	835	1025					
	Y YB 280M-4	90					1060	1050				2070	2060											
200-150-400	Y YB 250M-4	55					935	930				1945	1940			385		800	995					
	Y YB 280S-4	75	130	1820	320	1200	1010	1000	160	670	180	2020	2010	730	670	410	330	835	1025	40	475	925	4-φ28	
	Y YB 280M-4	90					1060	1050				2070	2060											

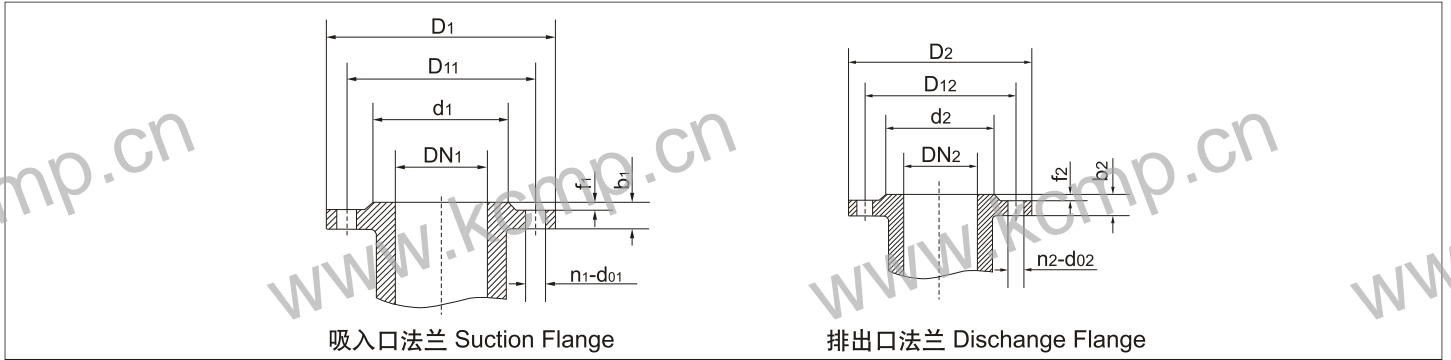
外形尺寸图 Outline Dimensions Drawing



外形尺寸表 Outline Dimensions

Type 泵型号	泵 Pump				泵座 Pump Base										W	螺栓孔 Bolt Hole		轴端 Shaft Face		间隔 Space X		
	a	f	h1	h2	b	m1	m2	m3	m4	n1	n2	n3	n4	k1		k2	s1	s2	d		L	
50-32-125			112	140						190	140											
50-32-160	80	385	132	160	50	100	70	25	60	240	190	145	110	12	10	285	φ 14	φ 14	24	50	100	
50-32-200			160	180																		
50-32-250	100	500	180	225	65	125	95	26	65	320	250			16	14	370			32	80		
65-50-125	80		112	140						210	160											
65-50-160		385	132	160	50	100	70	25	60	240	190			12	10	285			24	50		
65-40-200	100		160	180						265	212	145	110				φ 14	φ 14			100	
65-40-250		500	180	225	65	125	95	26	65	320	250			16	14	370			32	80		
65-40-315	125		200	250						345	280											
80-65-125			132	160						240	190											
80-65-160	100	385	160	180	50	100	70	25	60	265	212	145	110	12	10	285			24	50		
80-50-200			200														φ 14	φ 14			100	
80-50-250	125	500	180	225	65	125	95	26	65	320	250			16	14	370			32	80		
80-50-315			225	280						345	280											
100-80-125		385	160	180				25	60	280	212			12	10	285			24	50	100	
100-80-160	100		200		65	125	95										φ 14					
100-65-200		500	180	225						320	250	145	110	16		370		φ 14	32	80		
100-65-250	125		200	250	80	160	120	26	65	360	280				14		φ 18		42	110	140	
100-65-315		530	225	280						400	315								42	110		
125-100-200	125	500	200	280						360	280			16					32	80		
125-100-250			225		80	160	120	26	65	400	315	145	110	20	14	370	φ 18	φ 14	42	110	140	
125-100-315	140	530	250	315															42	110		
125-100-400			280	355	100	200	150			500	400						φ 22					
150-125-250			250		100	160	120			400	315						φ 18					
150-125-315	140	530	280	355				26	65	500	400	145	110	20	14	370	φ 22	φ 14	42	110	140	
150-125-400			315	400																		
200-150-250		530	280	375					65	500	400	145	110		14	370		φ 14	42			
200-150-315	160		400		100	200	150	26		80	550	450	200	140	20	30	500	φ 22	φ 18	48	110	180
200-150-400		670	315	450																		

进出口法兰示意图 Inlet & Outlet Flange Sketch Map



法兰尺寸表 Flange Dimensions

Type 泵型号	吸入口法兰尺寸 Suction Flange Dimensions							排出口法兰尺寸 Discharge Flange Dimensions						
	DN ₁	D ₁	D ₁₁	d ₁	b ₁	f ₁	n ₁ -d ₀₁	DN ₂	D ₂	D ₁₂	d ₂	b ₂	f ₂	n ₂ -d ₀₂
50-32-125	50	165	125	99	20	3	4-φ17.5	32	140	100	76	18	3	4-φ17.5
50-32-160														
50-32-200														
50-32-250														
65-50-125	65	185	145	118	20	3	4-φ17.5	50	165	125	99	20	3	4-φ17.5
65-50-160														
65-40-200														
65-40-250														
65-40-315	80	200	160	132	20	3	8-φ17.5	65	185	145	118	20	3	4-φ17.5
80-65-125														
80-65-160														
80-50-200														
80-50-250	100	220	180	156	22	3	8-φ17.5	50	165	125	99	20	3	4-φ17.5
80-50-315														
100-80-125														
100-80-160														
100-65-200	100	220	180	156	22	3	8-φ17.5	80	200	160	132	20	3	8-φ17.5
100-65-250														
100-65-315														
125-100-200														
125-100-250	125	250	210	184	22	3	8-φ17.5	100	220	180	156	22	3	8-φ17.5
125-100-315														
125-100-400														
150-125-250														
150-125-315	150	285	240	211	24	3	8-φ22	125	250	210	184	22	3	8-φ17.5
150-125-400														
200-150-250														
200-150-315	200	340	295	266	24	3	12-φ22	150	285	240	211	24	3	8-φ22
200-150-400														



上海凯程制泵有限公司

SHANGHAI KAICHENG PUMP CO.,LTD

地址：上海市陕西北路1438号

邮编：200060

电话：021-62989587 62989687

021-56701122 52527372

0086-21-62989871

传真：021-62989790

国内贸易邮箱：kcmp@kcmp.cn

国际贸易邮箱：Sell@kcmp.cn

公司邮箱：kaicheng@sh163.net

公司网址：<http://www.kcmp.cn>

免费咨询电话：8008207382

Add: No.1438 Shanxi North Road,Shanghai.

Zip: 200060

Tel: 021-62989587 62989687

021-56701122 52527372

0086-21-62989871

Fax: 021-62989790

Domestic Trade: kcmp@kcmp.cn

International Trade: Sell@kcmp.cn

E-mail: kaicheng@sh163.net

Web: www.kcmp.cn